

Door Closer Models: EHD9016 ISJ Top Jamb Installation [Push Side Mount] With Backplate BP90 Integra Cushion Arm Drilling Instructions

For online instructions, assistance or warranty information:
Call 1-800-392-5209 or visit <https://dhwsupport.dormakaba.com/hc/en-us>

NOTES:

- 1) DRAWING IS NOT TO SCALE.
- 2) DIMENSIONS ARE IN INCHES / [MM].
- 3) RIGHT HAND DOOR IS SHOWN.
- 4) 110° MAX OPENING IS SHOWN.
- 5) CAUTION: SEX NUTS ARE REQUIRED FOR ATTACHMENT OF COMPONENTS TO UNREINFORCED DOORS AND TO WOOD OR PLASTIC FACE COMPOSITE TYPE FIRE DOORS, UNLESS AN ALTERNATIVE METHOD IS IDENTIFIED IN THE INDIVIDUAL DOOR MANUFACTURER'S LISTINGS.
- 6) DPK FASTENERS FOR STEEL DOOR & FRAME ONLY.
- 7) SEE CATALOG FOR REVEAL INFORMATION.

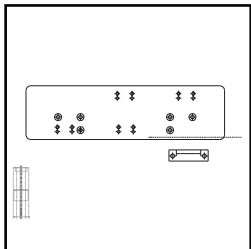
FOR 12-24 MACHINE SCREWS, USE 11/64" OR #16 DRILL & TAP
FOR No. 12 WOOD SCREWS, USE 9/64" DRILL
DPK FASTENERS DRILL 1/8" PILOT HOLE
SIX (6) HOLES IN FRAME FOR PLATE

CLOSER INSTALLS TO BOTTOM SETS OF
SMALL HOLES USING #12-24 MACHINE SCREWS

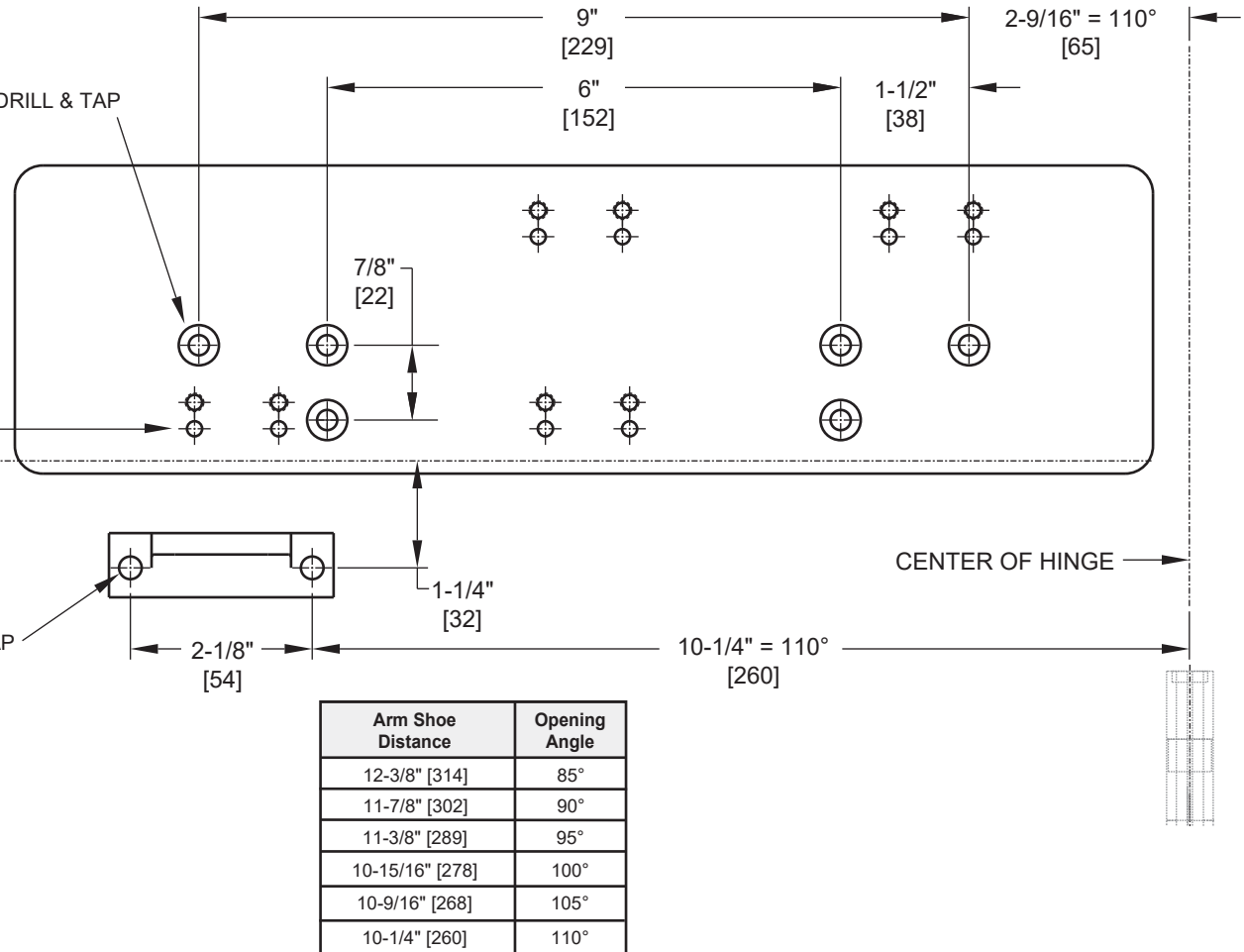
BOTTOM OF FRAME

FOR 1/4-20 MACHINE SCREWS, USE 13/64" OR #7 DRILL & TAP
FOR No. 14 WOOD SCREWS, USE 5/32" DRILL
FOR DPK FASTENERS, USE 1/8" DRILL
TWO (2) HOLES IN DOOR FOR ARM SHOE

LEFT HAND DOOR ORIENTATION:



Backplate Distance	Opening Angle
4-11/16" [119]	85°
4-3/16" [107]	90°
3-11/16" [94]	95°
3-1/4" [83]	100°
2-7/8" [73]	105°
2-9/16" [65]	110°



Arm Shoe Distance	Opening Angle
12-3/8" [314]	85°
11-7/8" [302]	90°
11-3/8" [289]	95°
10-15/16" [278]	100°
10-9/16" [268]	105°
10-1/4" [260]	110°

Not to scale. Measurements are for reference only.
Not a drilling template.