

Door Closer Models: EHD9016 IS Regular Installation [Pull Side Mount] With Backplate BP90 Integra Cushion Arm Drilling Instructions

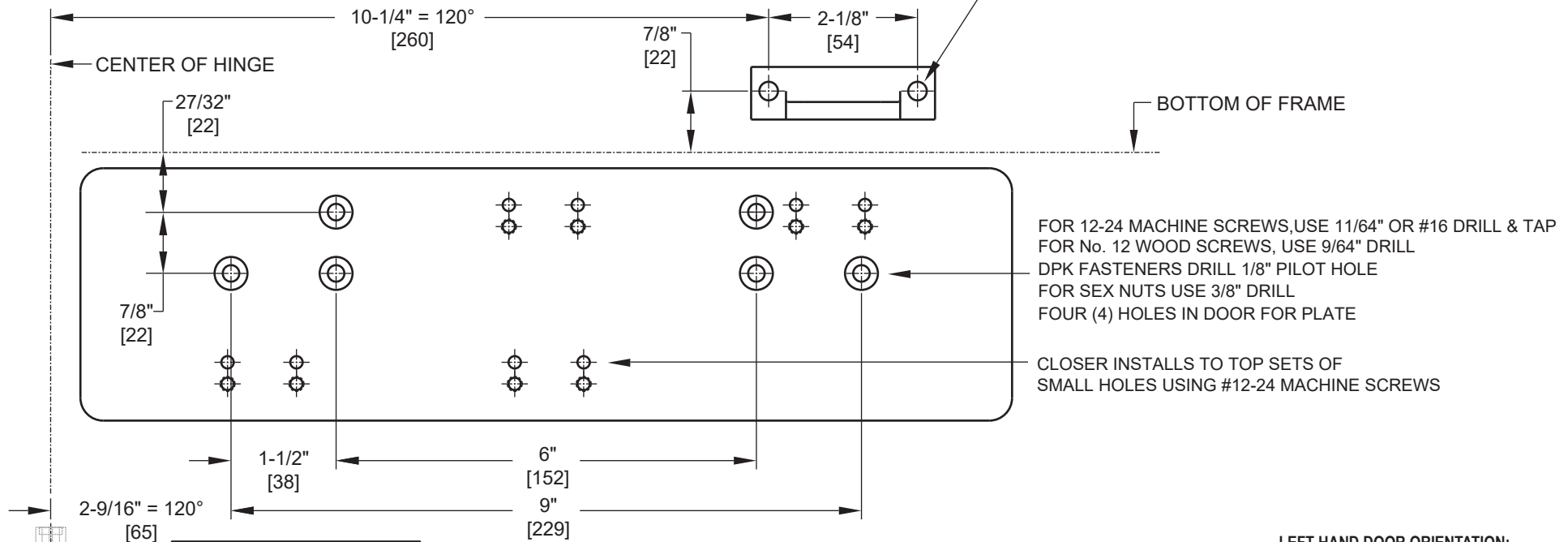
For online instructions, assistance or warranty information:
Call 1-800-392-5209 or visit <https://dhwsupport.dormakaba.com/hc/en-us>

NOTES:

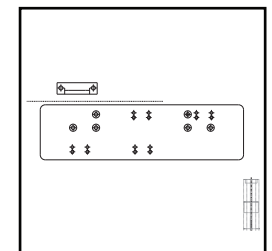
- 1) DRAWING IS NOT TO SCALE.
- 2) DIMENSIONS ARE IN INCHES / [MM].
- 3) RIGHT HAND DOOR IS SHOWN.
- 4) 120° MAX OPENING IS SHOWN.
- 5) CAUTION: SEX NUTS ARE REQUIRED FOR ATTACHMENT OF COMPONENTS TO UNREINFORCED DOORS AND TO WOOD OR PLASTIC FACE COMPOSITE TYPE FIRE DOORS, UNLESS AN ALTERNATIVE METHOD IS IDENTIFIED IN THE INDIVIDUAL DOOR MANUFACTURER'S LISTINGS.
- 6) DPK FASTENERS FOR STEEL DOOR & FRAME ONLY.

Arm Shoe Distance	Opening Angle
13-1/8" [333]	85°
12-1/2" [318]	90°
12" [305]	95°
11-9/16" [294]	100°
11-3/16" [284]	105°
10-13/16" [275]	110°
10-1/4" [260]	120°

FOR 1/4-20 MACHINE SCREWS, USE 13/64" OR #7 DRILL & TAP
FOR No. 14 WOOD SCREWS, USE 5/32" DRILL
FOR DPK FASTENERS, USE 1/8" DRILL
TWO (2) HOLES IN FRAME FOR ARM SHOE



LEFT HAND DOOR ORIENTATION:



Not to scale. Measurements are for reference only.
Not a drilling template.