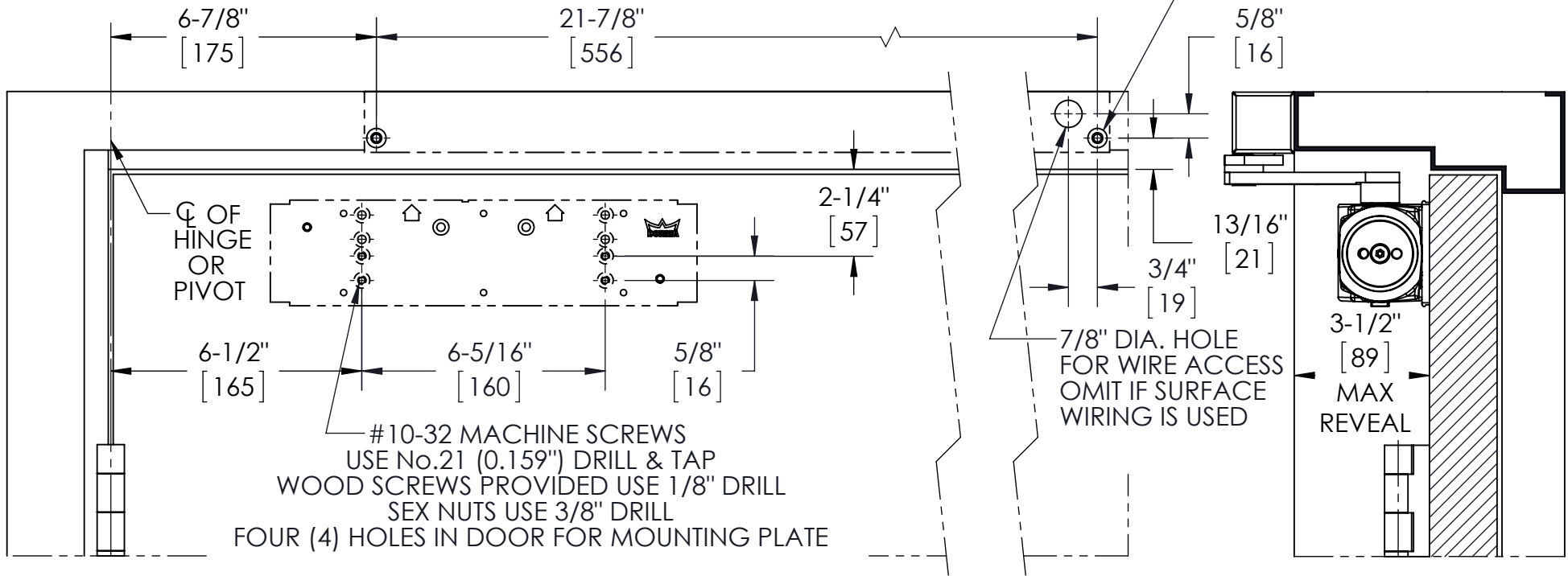


1/4 - 20 MACHINE SCREWS  
 USE No.7 (0.201") DRILL & TAP  
 #14 WOOD SCREWS USE 5/32" DRILL  
 TWO (2) HOLES IN FRAME FOR TRACK



NOTES:

1. DO NOT SCALE DRAWING.
2. DIMENSIONS ARE IN INCHES/(MM).
3. CAUTION: SEX NUTS ARE REQUIRED FOR ATTACHMENT OF COMPONENTS TO UNREINFORCED DOORS AND TO WOOD OR PLASTIC FACED COMPOSITE TYPE FIRE DOORS, UNLESS AN ALTERNATIVE METHOD IS IDENTIFIED IN THE INDIVIDUAL DOOR MANUFACTURER'S LISTINGS.
4. CAUTION-DORMA RECOMMENDS FRAME REINFORCEMENT (BY OTHERS) TO BE SUPPLIED AND IN PLACE BEFORE FRAME IS INSTALLED.
5. TEMPLATE FOR 4-1/2" X 4-1/2" BUTT HINGES AND 3/4" OFFSET PIVOTS.
6. MINIMUM DOOR WIDTH 30".
7. HOLD OPEN RANGE 80°-115°.
8. MAXIMUM OPENING 120°.
9. RIGHT HAND DOOR SHOWN
10. DOOR OPENINGS TO 90 DEG, A MIN OF 3-3/4" BETWEEN DOOR FACE AND WALL REQ'D

DOOR CLOSER MODELS: TS93 EMF/TDE  
 TRACK INSTALLATION (PULL SIDE MOUNT)  
 WITHOUT SMOKE DETECTOR

DORMA USA, Inc.  
 Reamstown, PA 17567

Toll-Free: (800) 523-8483  
 Facsimile: (800) 274-9724

Always consult DORMA's web site for latest template at [www.dorma.com](http://www.dorma.com).