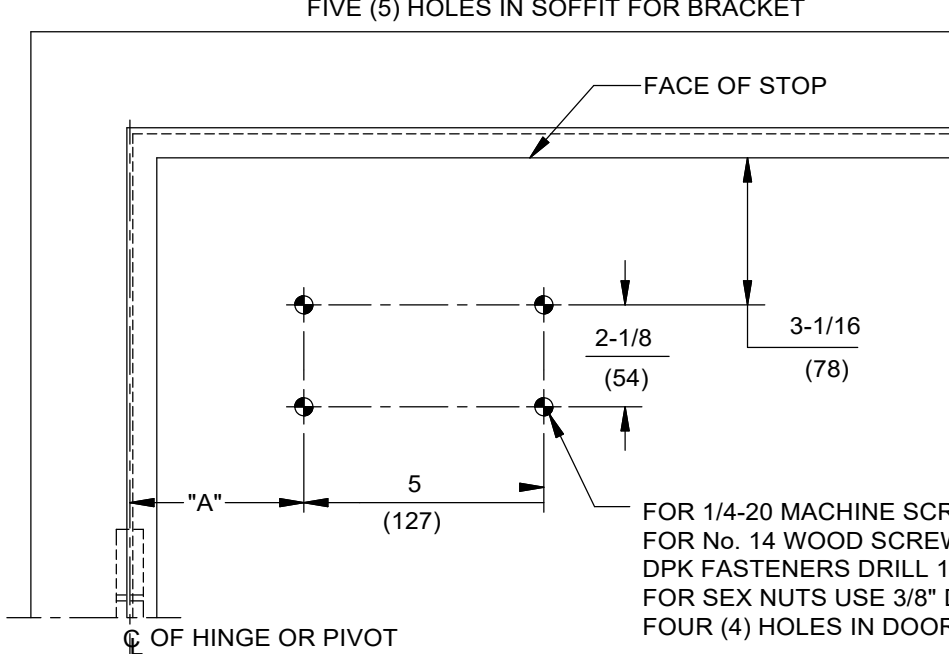


FOR 1/4-20 MACHINE SCREWS USE 7/32 DRILL  
 FOR No. 14 WOOD SCREWS USE 5/32" DRILL  
 DPK FASTENERS DRILL 1/8" PILOT HOLE  
 FIVE (5) HOLES IN SOFFIT FOR BRACKET

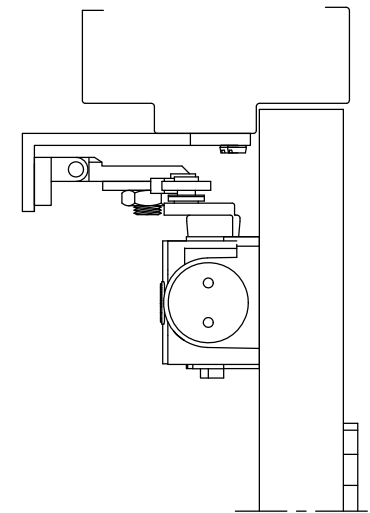
**NOTES:**

1. DO NOT SCALE DRAWING.
2. LEFT HAND DOOR SHOWN.
3. DIMENSIONS ARE IN INCHES/(MM).
4. CAUTION: SEX NUTS ARE REQUIRED FOR ATTACHMENT OF COMPONENTS TO UNREINFORCED DOORS AND TO WOOD OR PLASTIC FACED COMPOSITE TYPE FIRE DOORS, UNLESS AN ALTERNATIVE METHOD IS IDENTIFIED IN THE INDIVIDUAL DOOR MANUFACTURER'S LISTINGS.
5. MAXIMUM OPENING 180°.
6. SEE CATALOG FOR HOLD OPEN RANGE INFORMATION.
7. OPTIONAL DPK FASTENERS (DPK89) FOR STEEL DOOR & FRAME ONLY.

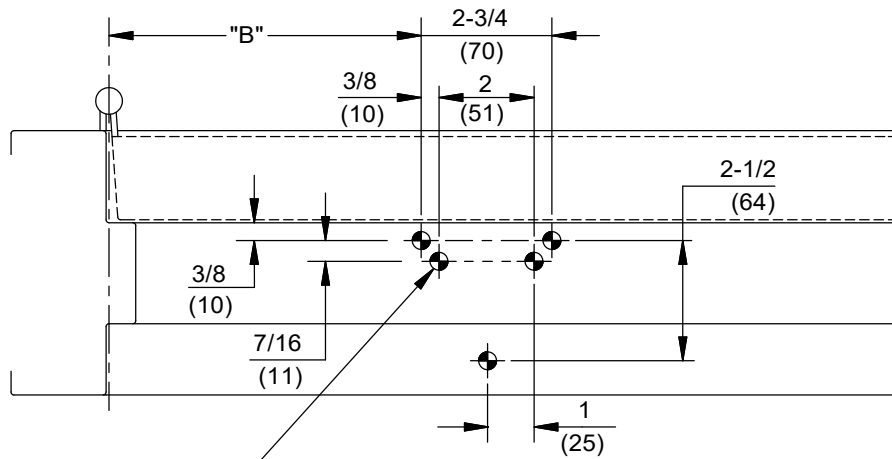
ANGLE OF OPENING	DIM. "A" CLOSER	DIM. "B" SOFFIT PLATE
TO 100°	$\frac{8}{(203)}$	$\frac{10-7/8}{(276)}$
OVER 100°	$\frac{3-5/8}{(92)}$	$\frac{6-1/2}{(165)}$



FOR 1/4-20 MACHINE SCREWS USE 7/32 DRILL  
 FOR No. 14 WOOD SCREWS USE 5/32" DRILL  
 DPK FASTENERS DRILL 1/8" PILOT HOLE  
 FOR SEX NUTS USE 3/8" DRILL  
 FOUR (4) HOLES IN DOOR FOR CLOSER



DOOR CLOSER MODELS: 8916, 8956 FHP  
 PARALLEL ARM INSTALLATION (PUSH SIDE MOUNT)

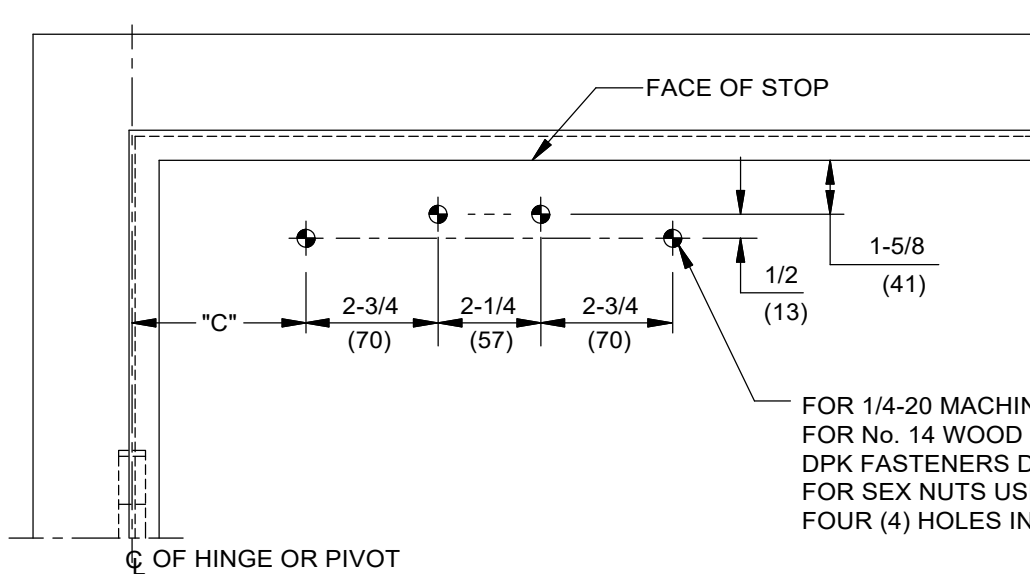


FOR 1/4-20 MACHINE SCREWS USE 7/32 DRILL  
 FOR No. 14 WOOD SCREWS USE 5/32" DRILL  
 DPK FASTENERS DRILL 1/8" PILOT HOLE  
 FIVE (5) HOLES IN SOFFIT FOR BRACKET

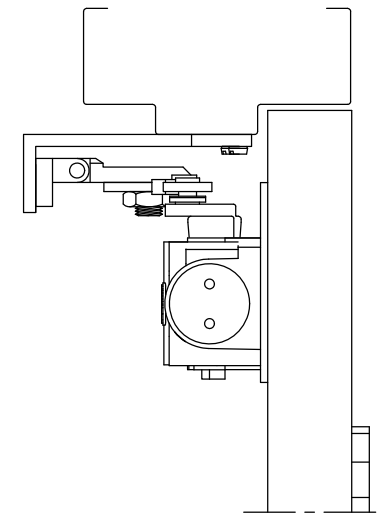
NOTES:

1. DO NOT SCALE DRAWING.
2. LEFT HAND DOOR SHOWN.
3. DIMENSIONS ARE IN INCHES/(MM).
4. CAUTION: SEX NUTS ARE REQUIRED FOR ATTACHMENT OF COMPONENTS TO UNREINFORCED DOORS AND TO WOOD OR PLASTIC FACED COMPOSITE TYPE FIRE DOORS, UNLESS AN ALTERNATIVE METHOD IS IDENTIFIED IN THE INDIVIDUAL DOOR MANUFACTURER'S LISTINGS.
5. MAXIMUM OPENING 180°.
6. SEE CATALOG FOR HOLD OPEN RANGE INFORMATION.
7. OPTIONAL DPK FASTENERS (DPK89) FOR STEEL DOOR & FRAME ONLY.

ANGLE OF OPENING	DIM. "C" PLATE	DIM. "B" SOFFIT PLATE
TO 100°	$\frac{8}{(203)}$	$\frac{10-7/8}{(276)}$
OVER 100°	$\frac{3-5/8}{(92)}$	$\frac{6-1/2}{(165)}$



FOR 1/4-20 MACHINE SCREWS USE 7/32 DRILL  
 FOR No. 14 WOOD SCREWS USE 5/32" DRILL  
 DPK FASTENERS DRILL 1/8" PILOT HOLE  
 FOR SEX NUTS USE 3/8" DRILL  
 FOUR (4) HOLES IN DOOR FOR PLATE



DOOR CLOSER MODELS: 8916, 8956 FHP  
 PARALLEL ARM INSTALLATION (PUSH SIDE MOUNT)  
 WITH PLATE DP89