

Installation Instructions

9300 Series 08/08 Function Inside/Outside Dual Cylinder

NOTE: Refer to 9000 Series installation instructions for templating and installation of device. For additional door prep and cutout refer to template T-9017.

These are additional instructions for installation and operation of the 08/08 Function.

Specifications and Operation

Outside trim cylinder (mortise type) locks or unlocks outside lever/knob.

Inside cylinder (rim type) locks or unlocks outside lever/knob.

Accepts standard 1-1/8" mortise cylinder with straight cam in outside trim.

(Longer cylinder may have to be shimmed to clear plug in rear of chassis.)

Accepts standard rim cylinder in inside cover.

Allows tenant to lock and unlock outside trim from inside of room.

Assembly of 08/08 Kit

With key removed, insert rim cylinder through cylinder sleeve as shown.

Place cylinder and sleeve on cover aligning guide pins in sleeve with holes in cover.

Place cylinder tube inside of cover aligning holes with pins of cylinder sleeve.

Place backplate (supplied with cylinder) over cylinder tube and secure with screws supplied with cylinder. Break off first section of screw for proper length.

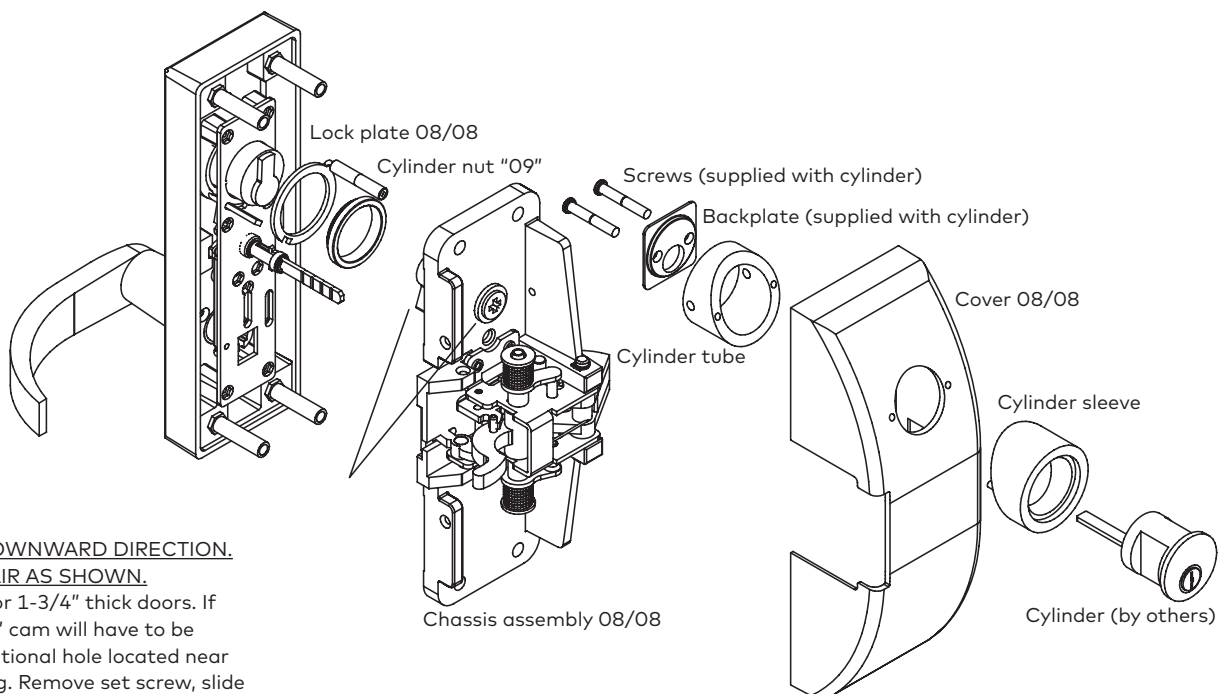
If installing new trim, place mortise cylinder through trim.

Slide lockplate over cylinder aligning notch with trim actuator, install cylinder nut and tighten securely.

Install 08/08 trim and 08/08 chassis assembly to door. Cam on rear of chassis should be in the downward direction, cross hairs should be aligned vertically and horizontally.

Place cover over chassis assembly aligning tail piece in horizontal position with cross hairs of plug located in top of chassis. (Depending on length of tail piece it may or may not have to be cut.) 1-1/2" from rear of cylinder should be enough to reach plug.

If replacing existing trim function, i.e. 08, remove trim from door. Remove cylinder nut and install lockplate 08/08 and new cylinder nut as above. (Chassis must also be replaced.)



**NOTE: CAM IN DOWNWARD DIRECTION.
ALIGN CROSS HAIR AS SHOWN.**

Cam is installed for 1-3/4" thick doors. If door is over 1-3/4" cam will have to be moved out to additional hole located near the end of the plug. Remove set screw, slide cam forward and re-install set screw.