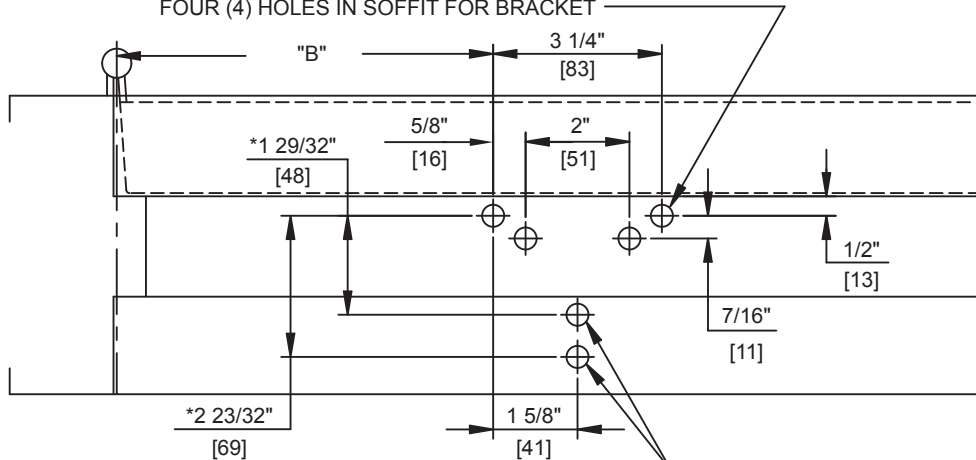


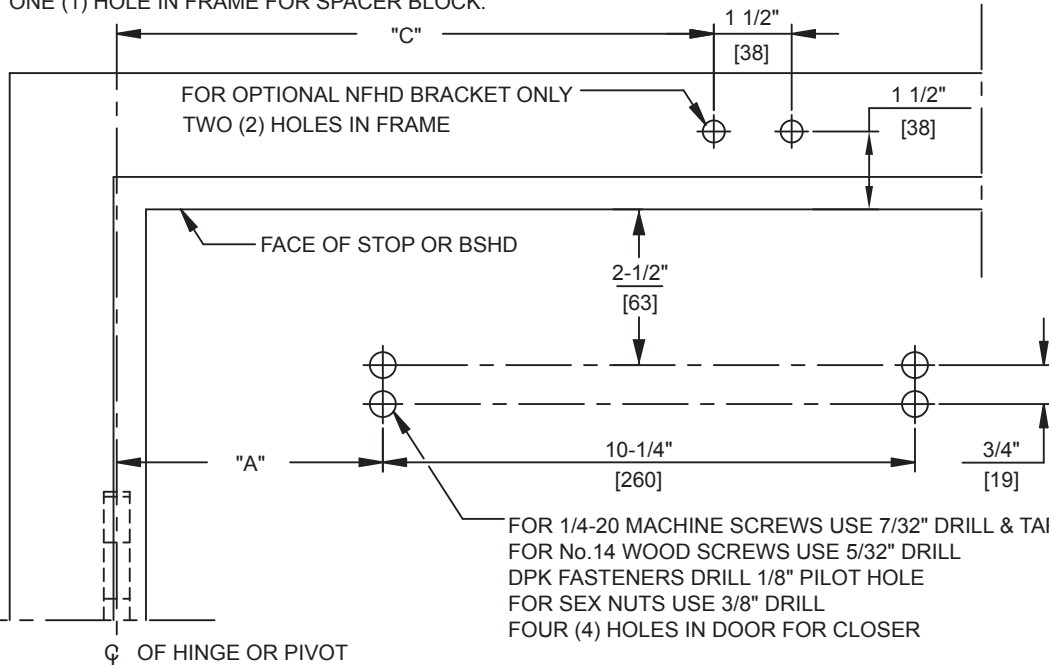
**Door Closer Models: SL6014 and SL6036 SPA, SPAT  
Super Parallel Arm Installation (Push Side Mount) with  
Standard Spacer Block Optional NFHD Bracket and  
BSHD Blade Stop Spacer Block Template/Drilling Instructions**

Always consult BEST's website for the latest template at  
<https://dhwsupport.dormakaba.com/hc/en-us> or call 1-800-392-5209.

FOR 1/4-20 MACHINE SCREWS USE 7/32" DRILL & TAP  
FOR No. 14 WOOD SCREWS USE 5/32" DRILL  
DPK FASTENERS DRILL 1/8" PILOT HOLE  
FOUR (4) HOLES IN SOFFIT FOR BRACKET



**\*IMPORTANT: CHOOSE APPROPRIATE HOLE LOCATION  
FOR SPACER BLOCK, IN ACCORDANCE WITH FRAME WIDTH.  
ONE (1) HOLE IN FRAME FOR SPACER BLOCK.**



ANGLE OF OPENING HOLD OPEN	DIM. "A" CLOSER	DIM. "B" SOFFIT PLATE	DIM. "C" (NFHD) BRACKET OPTIONAL
TO 100° H.O. 90°	6-5/8 (168)	10-1/8 (257)	11 (279)
TO 180° H.O. 125°	3 (76)	6-1/2 (165)	7-3/8 (187)

**NOTES:**

- DO NOT SCALE DRAWING.
- DIMENSIONS ARE IN INCHES/(MM).
- LEFT HAND DOOR SHOWN.
- CAUTION: SEX NUTS ARE REQUIRED FOR ATTACHMENT OF COMPONENTS TO UNREINFORCED DOORS AND TO WOOD OR PLASTIC FACED COMPOSITE TYPE FIRE DOORS, UNLESS AN ALTERNATIVE METHOD IS IDENTIFIED IN THE INDIVIDUAL DOOR MANUFACTURER'S LISTINGS.
- FOR FRAME WIDTHS 4-1/2" AND LESS USE OPTIONAL (NFHD) BRACKET.
- MINIMUM DOOR WIDTH 26".
- TEMPLATE BASED ON 4-1/2" x 4-1/2" BUTT HINGES.
- DPK FASTENERS FOR STEEL DOOR & FRAME ONLY.

