

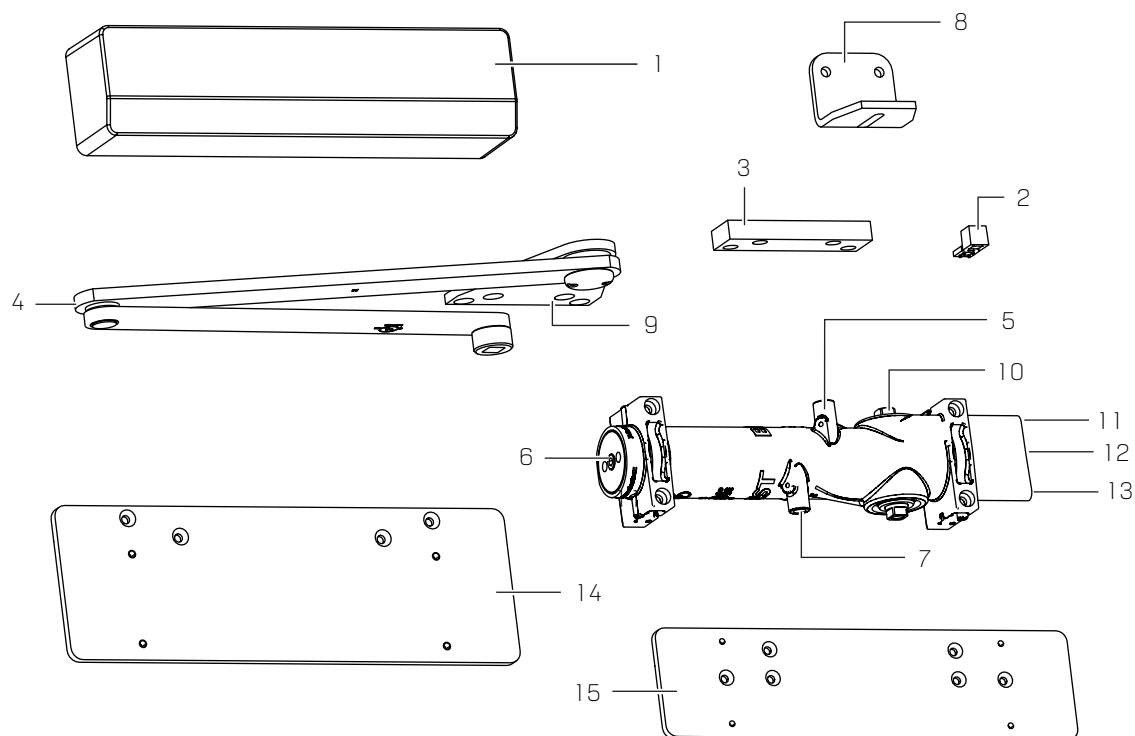
HD8000 SPA, SP-9

Surface applied closer super parallel arm mount
180° swing (to clear the hinge)

Installation Instructions

OVERVIEW

Surface closer components



1 Full cover (standard)

6 Spring force adjustment

11 Delayed action adjustment

2 Spacer block

7 Backcheck adjustment

12 Sweep speed adjustment

3 Blade stop spacer (optional)

8 Heavy duty narrow frame bracket

13 Latch speed adjustment

4 Super parallel arm

9 Soffit plate

14 Drop plate (optional)

5 Advanced variable backcheck

10 Pinion

15 Backplate (optional)

Table of contents

1	Technical specifications	3
1.1	Overview	3
1.2	Tools recommended	3
1.3	Handing the door	3
2	Instructions - parallel mount	4
2.1	Installing surface closer	4
2.2	Secure soffit plate to frame: spacer block, blade stop, or narrow frame bracket	4
2.3	Securing main and connecting arms to closer	5
3	Adjustments	6
3.1	Adjust closing speeds: sweep, latch, backcheck, delayed action	6
3.2	Adjust spring force	7
4	Install covers	8

1 Technical specifications

1.1 Overview



Sex nuts are required for attachment of components to unreinforced doors and to wood or plastic faced composite type fire doors, unless an alternative method is identified in the individual door manufacturer's listings.



Maximum door opening degree is 100° or 180°.



Know the swing of the door which is being installed prior to installation.



Verify closer spring size prior to installation.



Make sure door efficiently operates prior to installing closer.



Do not hammer arm onto spindle. Warranty will be void.

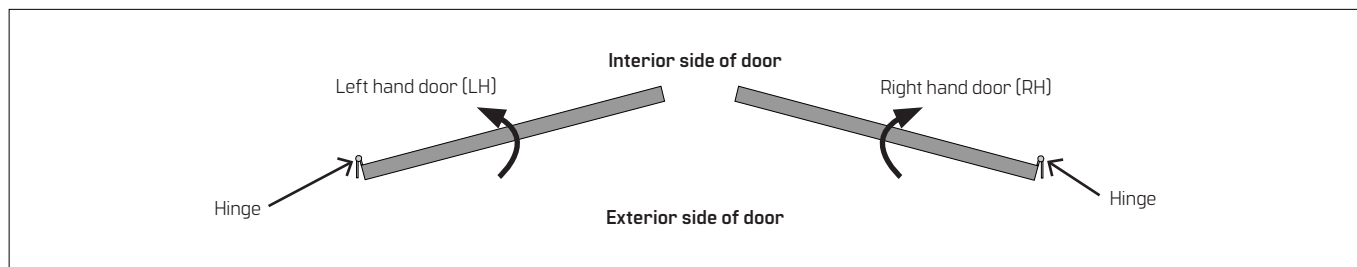
1.2 Tools recommended

Table 1

Drill bits:	#3 Phillips screwdriver
Metal: 1 3/64" or #7 drill bit; 1/4-20 tap	3/16" flat head screwdriver
Wood: 5/32" bit	5 mm hex key
1/2" box wrench	

1.3 Handing the door

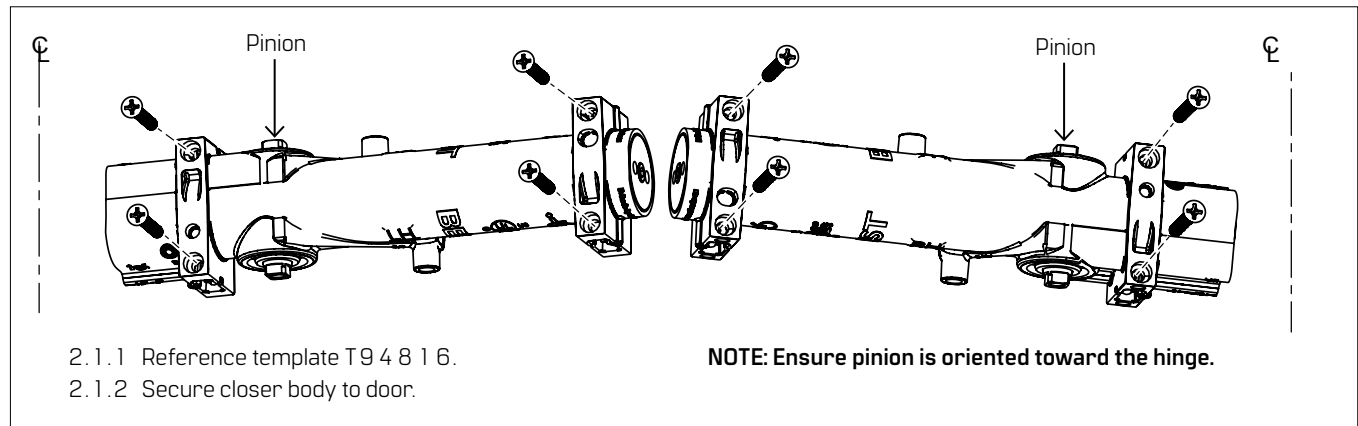
Fig.1



2 Instructions - parallel mount

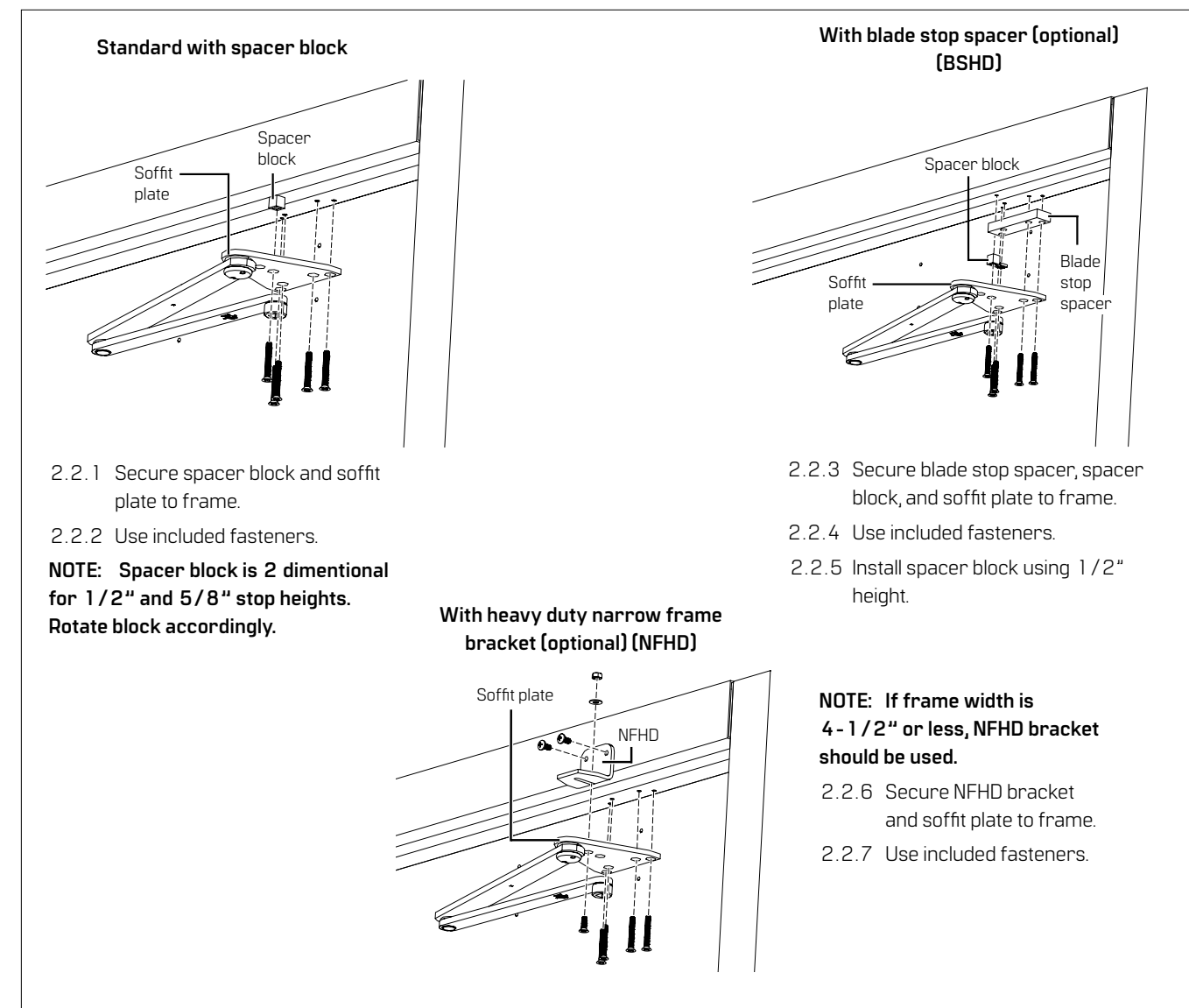
2.1 Installing surface closer

Fig.2



2.2 Secure soffit plate to frame: spacer block, blade stop spacer, or narrow frame bracket

Fig.3



2.3 Securing main and connecting arms to closer

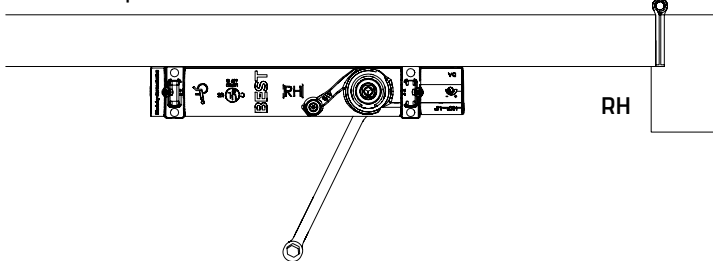
Fig.4



Do not hammer arm onto spindle. Warranty will be void.

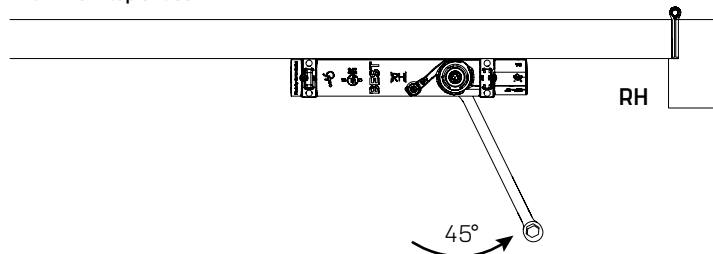
2.3.1 Preload arm by placing wrench on bottom pinion.

View from top of door

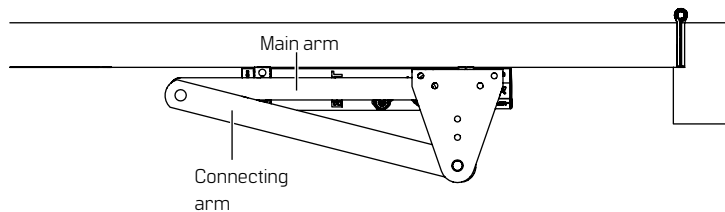


2.3.2 Rotate wrench 45° TOWARD hinge edge of door.

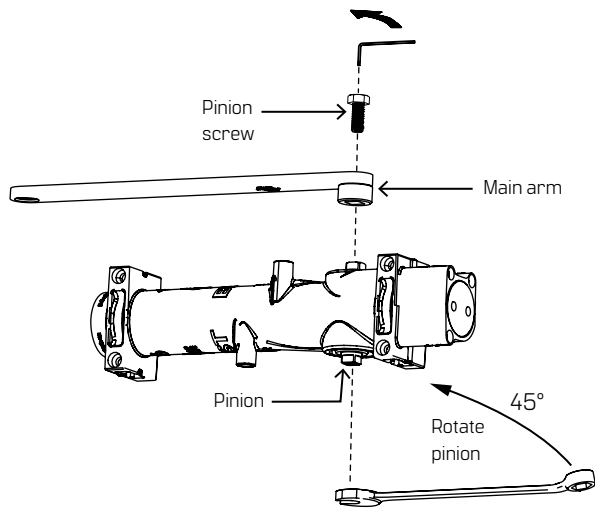
View from top of door



2.3.3 With connecting arm parallel to door, place main arm on top pinion.



2.3.4 Secure arm to closer with pinion screw.



3 Adjustments



Confirm closer spring size prior to making any closing speed adjustments.



Do not back valve heads out beyond closer casting.



Maximum opening angle is 100° or 180°.



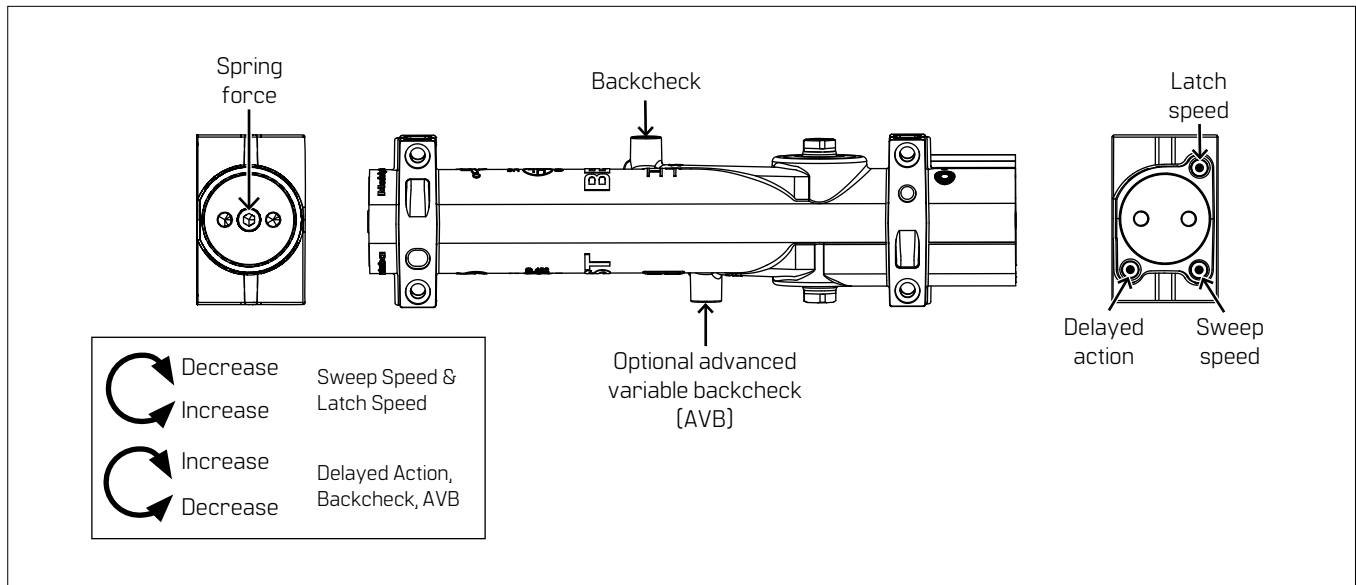
Door should close in 3 to 6 seconds from 90°.



Do not close valves completely.

3.1 Adjust closing speeds: sweep, latch, backcheck, delayed action

Fig.5



3.1.1 Adjust **closing sweep speed**: 90° to start of latch speed.

- Increase sweep speed: Turn valve counter-clockwise.
- Decrease sweep speed: Turn valve clockwise.

3.1.2 Adjust **closing latch speed**: 15° to close.

- Increase latch speed: Turn valve counter-clockwise.
- Decrease latch speed: Turn valve clockwise.

3.1.3 Adjust **opening backcheck**: beginning at 70°.

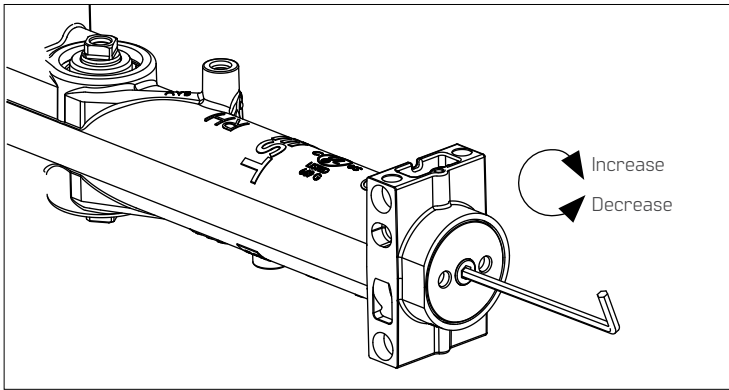
- Increase resistance: Turn valve clockwise.
- Decrease resistance: Turn valve counter-clockwise.

3.1.4 Adjust **closing delayed action**: angle 180° to 75°.

- Increase delayed action: Turn valve clockwise.
- Decrease delayed action: Turn valve counter-clockwise.

3.2 Adjust spring force

Fig.6



HD8016 - supplied with a size 4

HD8056 - supplied with a size 6

HD8016 ONLY - Barrier free openings: Take an opening force reading from the pull on the door. If required, adjust the spring force to meet the barrier-free requirement.

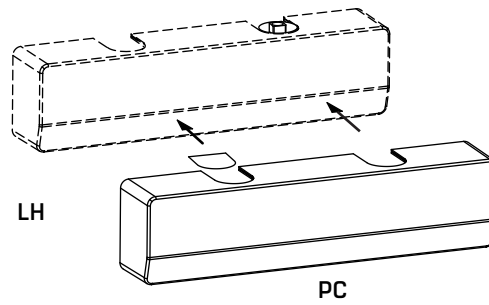
Depending on opening conditions, a door adjusted to meet barrier-free forces may not have sufficient power to reliably close and latch the door.

Parallel mount					
	Closer size	Max door weight (lbs)	Door width		Full turns
			Interior	Exterior	
HD8016	3	100	2'6"	----	-1 2
	4	125	3'	2'6"	0
	5	150	3'6"	3'	+4
	6	200	4'	3'6"	+1 2
HD8056	5	150	3'6"	3'	-6
	6	200	4'	3'6"	0
	6+	250	---	4'	6+

4 Install covers

Fig.7

- 4.1.1 Place tab in cover slot, opposite main arm.
- 4.1.2 Place cover over closer and snap into place.



For online instructions visit:

<https://dhwsupport.dormakaba.com/hc/en-us>

For assistance or warranty information:

Call 1-800-392-5209 or visit

<https://dhwsupport.dormakaba.com/hc/en-us>