

# HD8000 AF80 x MJ

Flat arm for regular arm mount  
with mortised jamb bracket and backplate (BP80)

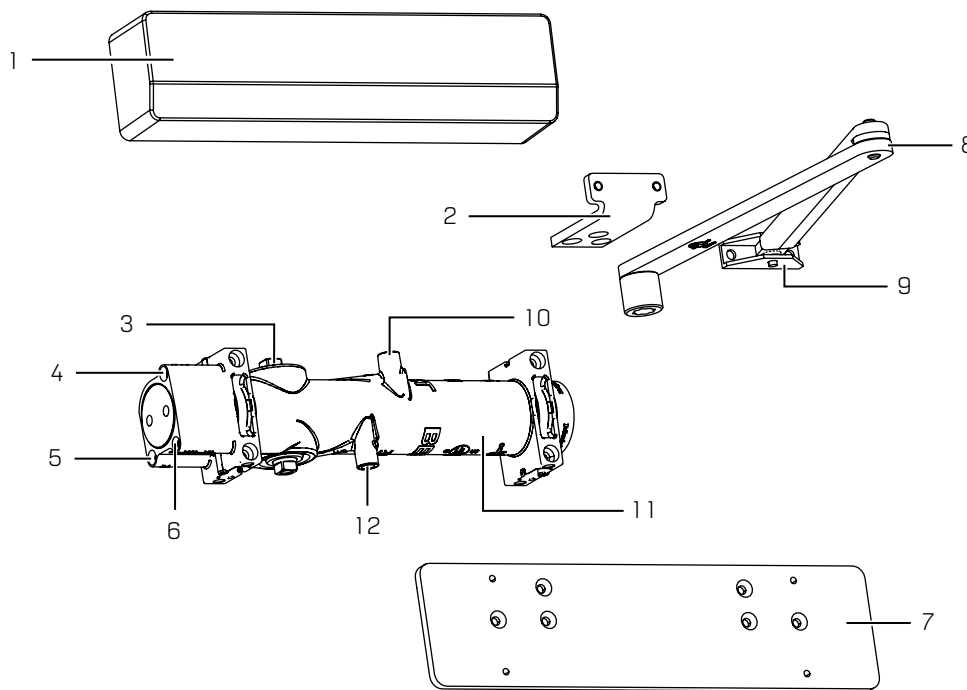
## Installation Instructions



dormakaba Group

### OVERVIEW

#### Surface closer components



**1** Full cover (standard)

**2** Mortise jamb bracket

**3** Pinion

**4** Latch speed adjustment

**5** Delayed action adjustment

**6** Sweep speed adjustment

**7** Backplate (optional)

**8** Flat arm

**9** Arm/shoe

**10** Backcheck adjustment

**11** Closer body

**12** Advanced variable backcheck



# Table of contents

<b>1</b>	<b>Technical specifications</b>	<b>4</b>
1.1	Overview	4
1.2	Tools recommended	4
1.3	Handing the door	4
<b>2</b>	<b>Instructions - regular mount</b>	<b>5</b>
2.1	Installing backplate (optional) and surface closer	5
2.2	Installing mortise jamb bracket	5
2.3	Installing and securing main arm	5
2.4	Installing and securing connecting arm	6
<b>3</b>	<b>Adjustments</b>	<b>6</b>
3.1	Adjust closing speeds: sweep, latch, backcheck, delayed action	6
3.2	Adjust spring force	7
<b>4</b>	<b>Install covers</b>	<b>8</b>

# 1 Technical specifications

## 1.1 Overview



Sex nuts are required for attachment of components to unreinforced doors and to wood or plastic faced composite type fire doors, unless an alternative method is identified in the individual door manufacturer's listings.



Maximum door opening degree is 180°.



Ensure the arrows on the plate face upwards.



Know the swing of the door which is being installed prior to installation.



Verify closer spring size prior to installation.



Make sure door efficiently operates prior to installing closer.



Do not hammer arm onto spindle. Warranty will be void.

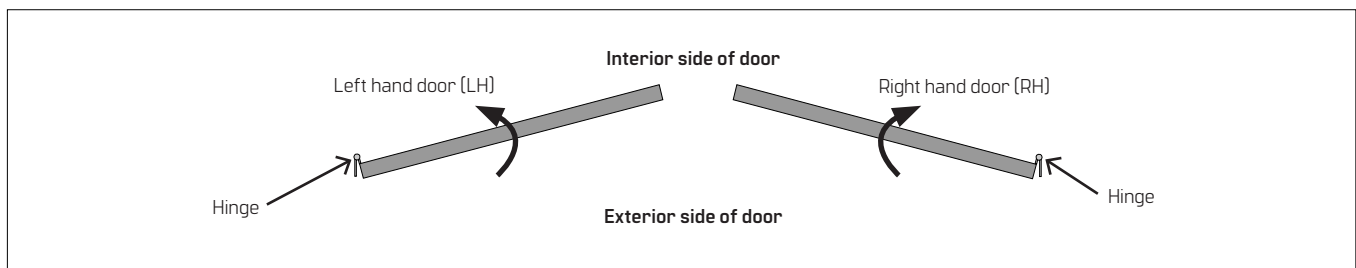
## 1.2 Tools recommended

Table 1

Drill bits:	#3 Phillips screwdriver
Metal: 1 3/64" or #7 drill bit; 1/4-20 tap	3/16" flat head screwdriver
Wood: 5/32" bit	5mm hex key
1/2" box wrench	

## 1.3 Handing the door

Fig. 1



# 2 Instructions - regular mount

## 2.1 Installing backplate and surface closer

Fig.2

2.1.1 Reference template T9 4 1 8 and T9 4 8 1 7.

2.1.2 Secure backplate.

2.1.3 Secure closer body.

**NOTE: Ensure pinion is oriented toward hinge.**

## 2.2 Installing mortise jamb bracket

Fig.3

2.2.1 Secure mortise jamb bracket with included fasteners.

Mortise jamb bracket (MJ)

## 2.3 Installing and securing main arm

Fig.4

2.3.3 Secure arm shoe to mortise jamb bracket.

Pinion

Main arm

Pinion

Main arm

Arm shoe

Mortise jamb bracket (MJ)

**⚠ Do not hammer arm onto spindle. Warranty will be void.**

2.3.1 Secure main arm to pinion in orientation shown.

2.3.2 Tighten pinion screw.

Main arm

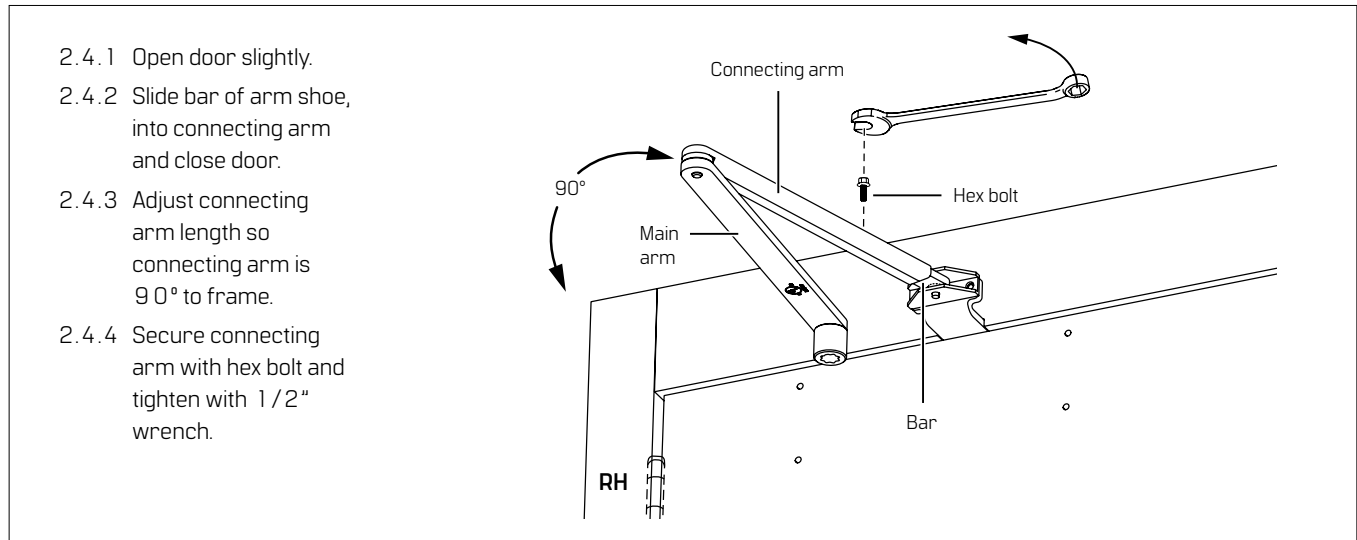
Pinion screw

Pinion

Pinion

## 2.4 Installing and securing connecting arm

Fig.5



## 3 Adjustments



Confirm closer spring size prior to making any closing speed adjustments.



Do not back valve heads out beyond closer casting.



Maximum opening angle is 180°.



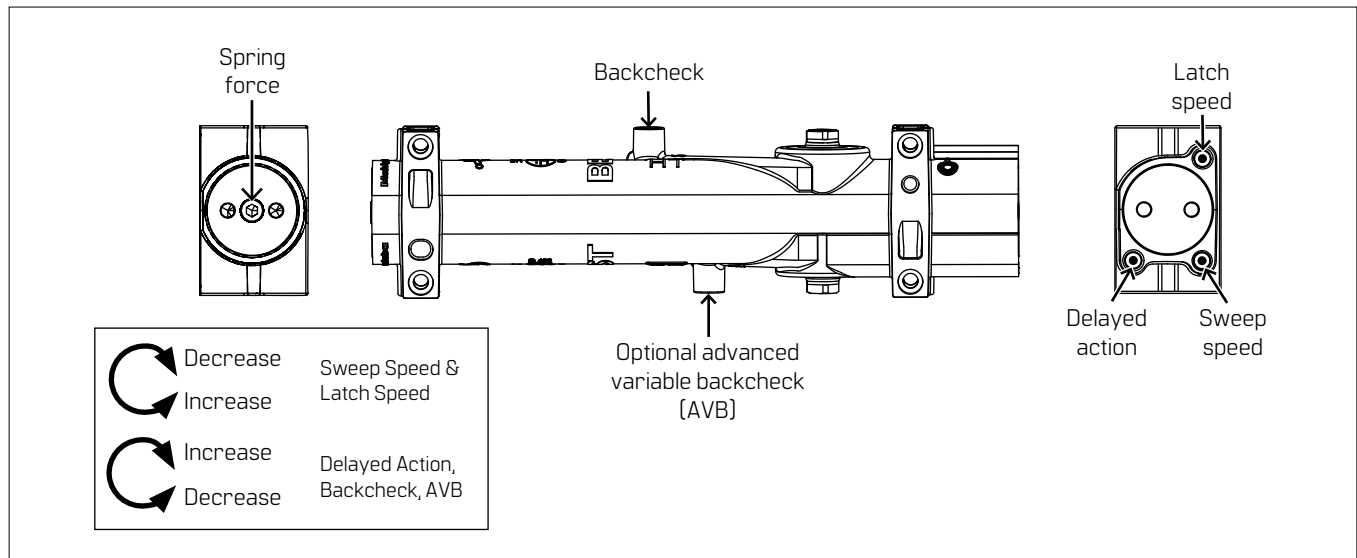
Door should close in 3 to 6 seconds from 90°.



Do not close valves completely.

### 3.1 Adjust closing speeds: sweep, latch, backcheck, delayed action

Fig.6



3.1.1 Adjust **closing sweep speed**: 90° to start of latch speed.

- Increase sweep speed: Turn valve counter-clockwise.
- Decrease sweep speed: Turn valve clockwise.

3.1.2 Adjust **closing latch speed**: 15° to close.

- Increase latch speed: Turn valve counter-clockwise.
- Decrease latch speed: Turn valve clockwise.

3.1.3 Adjust **opening backcheck**: beginning at 80°.

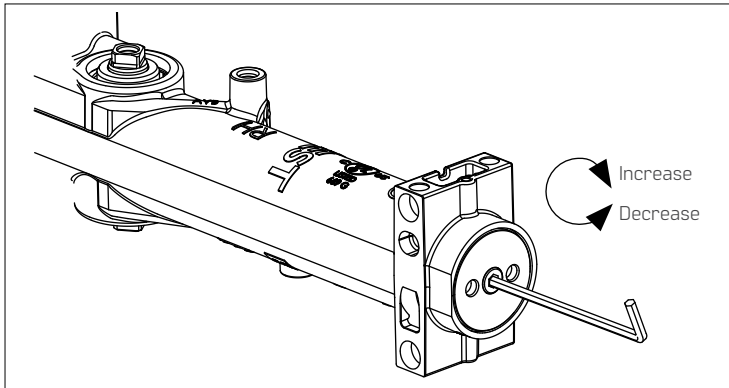
- Increase resistance: Turn valve clockwise.
- Decrease resistance: Turn valve counter-clockwise.

3.1.4 Adjust **closing delayed action**: angle 180° to start of sweep.

- Increase delayed action: Turn valve clockwise.
- Decrease delayed action: Turn valve counter-clockwise.

## 3.2 Adjust spring force

Fig.7



**HD8016 - supplied with a size 4**

**HD8056 - supplied with a size 6**

**HD8016 ONLY - Barrier free openings:** Take an opening force reading from the pull on the door. If required, adjust the spring force to meet the barrier-free requirement.

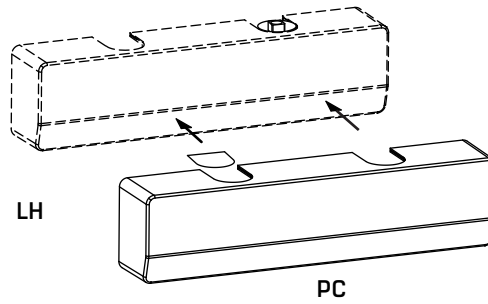
Depending on opening conditions, a door adjusted to meet barrier-free forces may not have sufficient power to reliably close and latch the door.

Regular mount					
	Closer size	Max door weight (lbs)	Door width		Full turns
			Interior	Exterior	
HD8016	2	100	2'6"	---	-2.0
	3	125	3'	2'-6"	-1.2
	4	150	3'6"	3'	0
	5	200	4'	3'-6"	+4
	6	250	---	4'	+1.2
HD8056	5	200	4'	3'-6"	-6
	6	250	---	4'	0

# 4 Install covers

Fig.8

- 4.1.1 Place tab in cover slot, opposite main arm.
- 4.1.2 Place cover over closer and snap into place.



**For online instructions visit:**

<https://dhwsupport.dormakaba.com/hc/en-us>

**For assistance or warranty information:**

Call 1-800-392-5209 or visit

<https://dhwsupport.dormakaba.com/hc/en-us>