

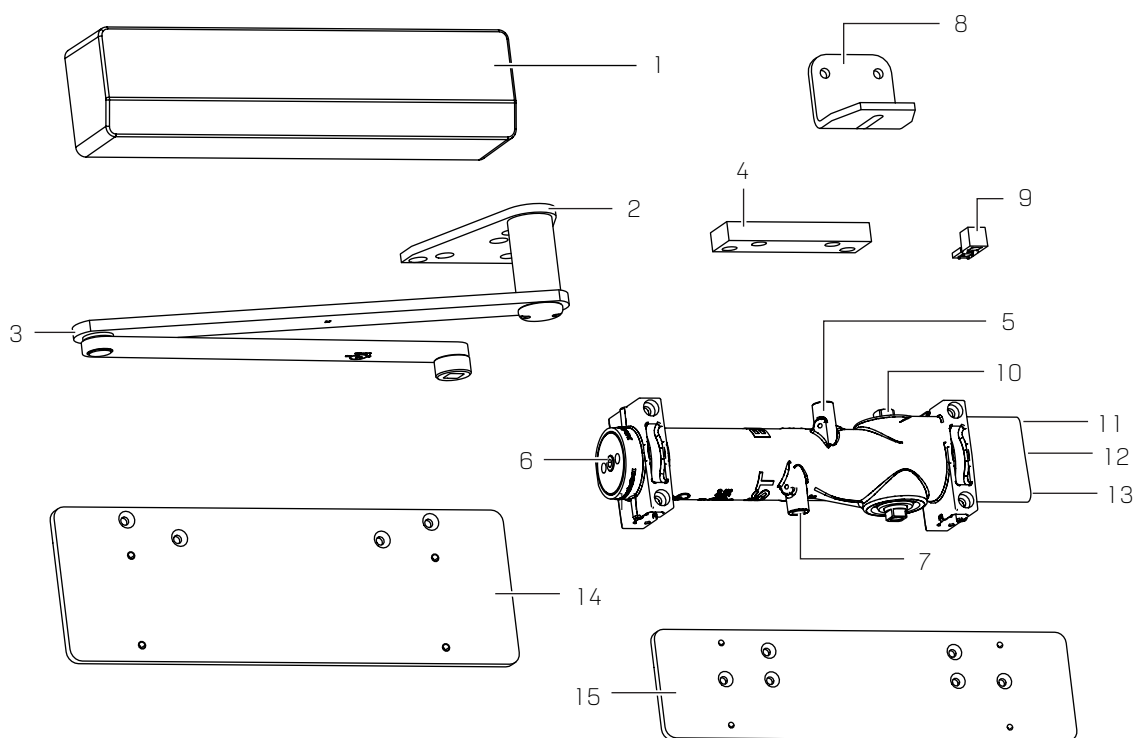
HD8000 SPA, SP-6

Parallel arm mount
[To clear overhead surface applied stop]

Installation Instructions

OVERVIEW

Surface closer components



1 Full cover (standard)

2 Soffit plate

3 Super parallel arm

4 Blade stop spacer (optional)

5 Advanced variable backcheck

6 Spring force adjustment

7 Backcheck adjustment

8 Heavy duty narrow frame
bracket (optional)

9 Spacer block

10 Pinion

11 Delayed action adjustment

12 Sweep speed adjustment

13 Latch speed adjustment

14 Drop plate (optional)

15 Backplate (optional)

Table of contents

1	Technical specifications	3
1.1	Overview	3
1.2	Tools recommended	3
1.3	Handing the door	3
2	Instructions - parallel mount	4
2.1	Installing surface closer	4
2.2	Secure soffit plate to frame: spacer block, blade stop, or narrow frame bracket	4
2.3	Securing main arm to closer	5
3	Adjustments	6
3.1	Adjust closing speeds: sweep, latch, backcheck, delayed action	6
3.2	Adjust spring force	7
4	Install covers	8

1 Technical specifications

1.1 Overview



Sex nuts are required for attachment of components to unreinforced doors and to wood or plastic faced composite type fire doors, unless an alternative method is identified in the individual door manufacturer's listings.



Maximum door opening degree is 180°.



Know the swing of the door which is being installed prior to installation.



Verify closer spring size prior to installation.



Make sure door efficiently operates prior to installing closer.



Do not hammer arm onto spindle. Warranty will be void.

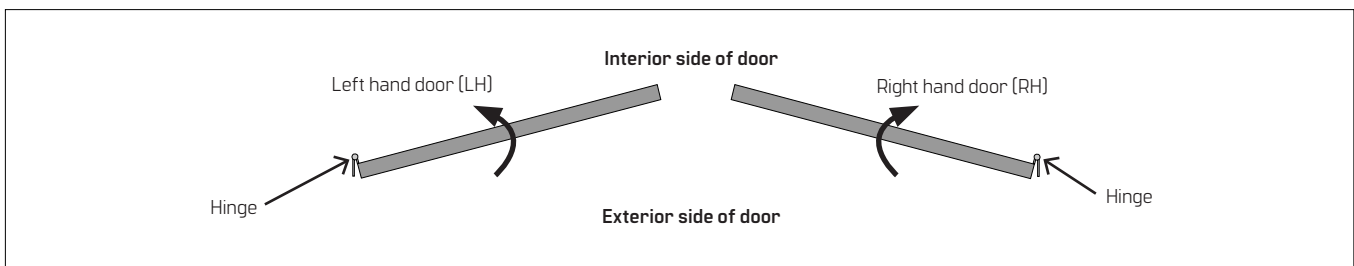
1.2 Tools recommended

Table 1

Drill bits:	#3 Phillips screwdriver
Metal: 1 3/64" or #7 drill bit; 1/4-20 tap	3/16" flat head screwdriver
Wood: 5/32" bit	5mm hex key
1/2" box wrench	

1.3 Handing the door

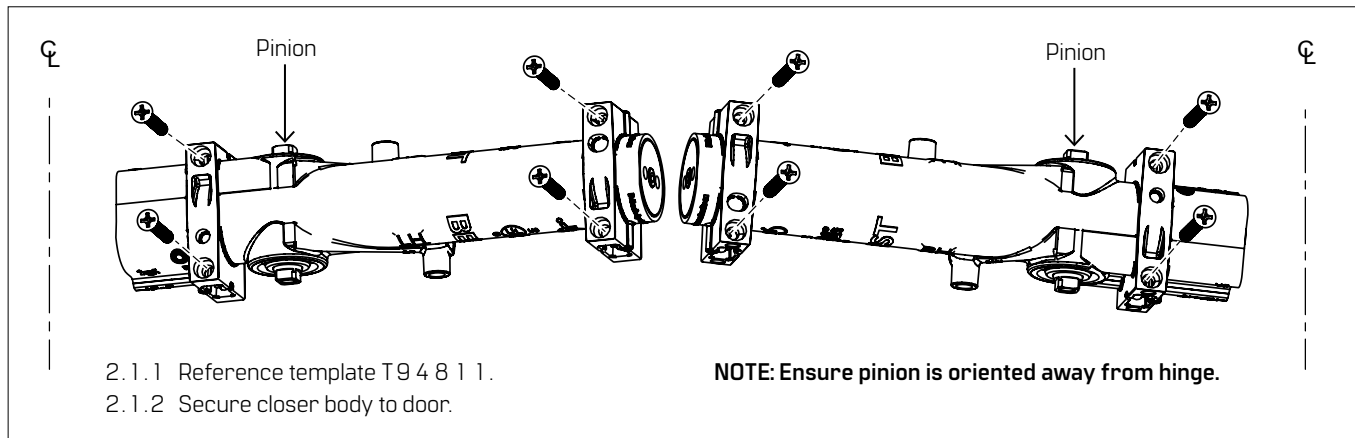
Fig.1



2 Instructions - parallel mount

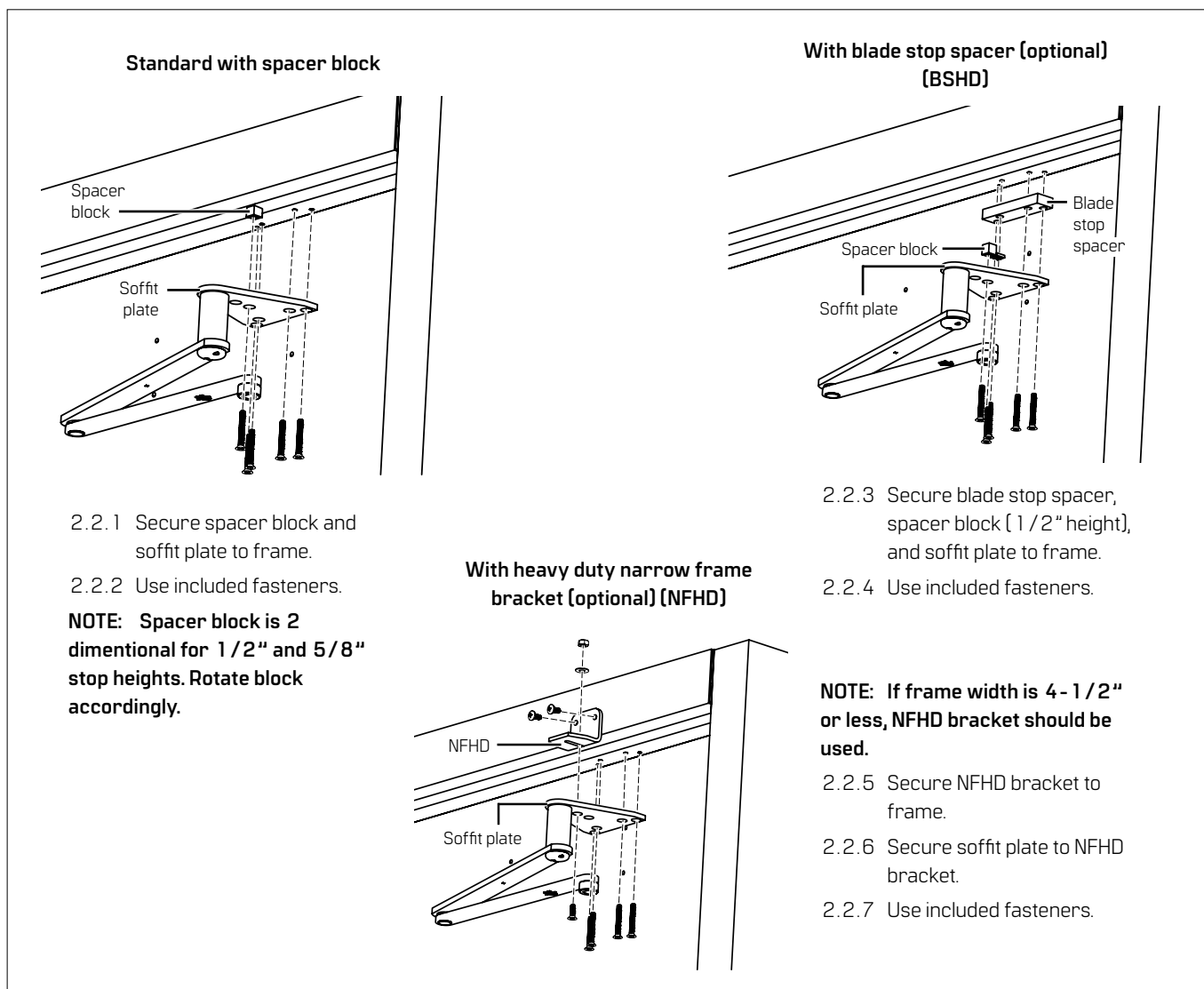
2.1 Installing surface closer

Fig 2



2.2 Secure soffit plate to frame: spacer block, blade stop, or narrow frame bracket

Fig 3



2.3 Securing main arm to closer

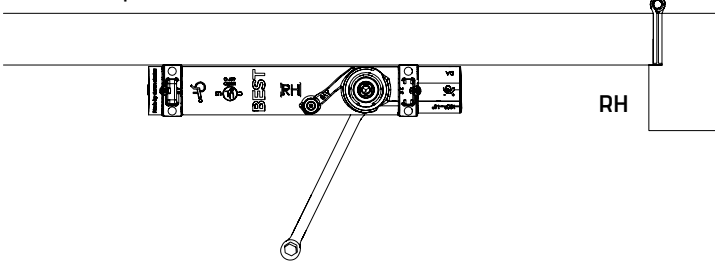
Fig.4



Do not hammer arm onto spindle. Warranty will be void.

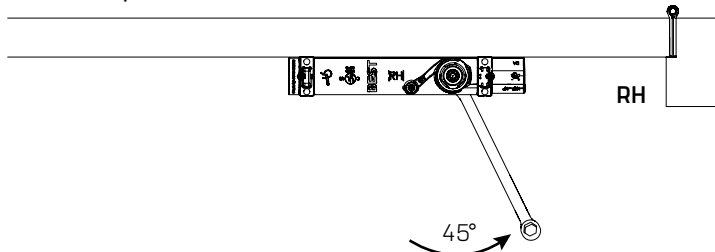
2.3.1 Preload arm by placing wrench on bottom pinion.

View from top of door

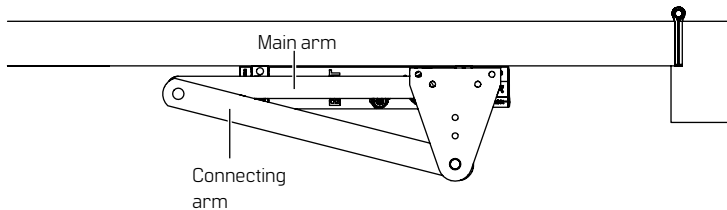


2.3.2 Rotate wrench 45° TOWARD hinge edge of door.

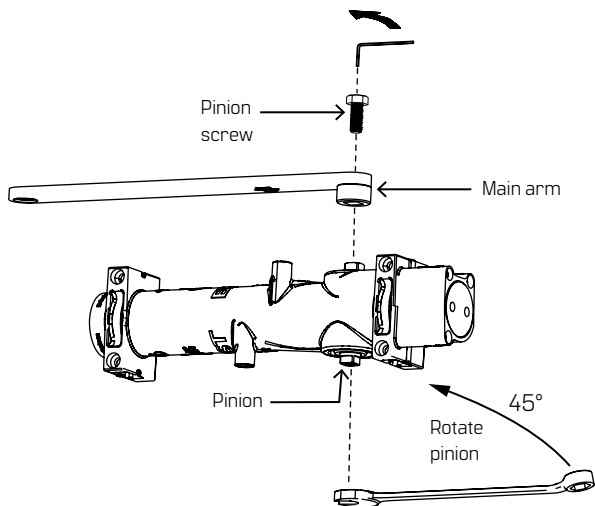
View from top of door



2.3.3 With connecting arm parallel to door, place main arm on top pinion.



2.3.4 Secure arm to closer with pinion screw.



3 Adjustments



Confirm closer spring size prior to making any closing speed adjustments.



Do not back valve heads out beyond closer casting.



Maximum opening angle is 180°.



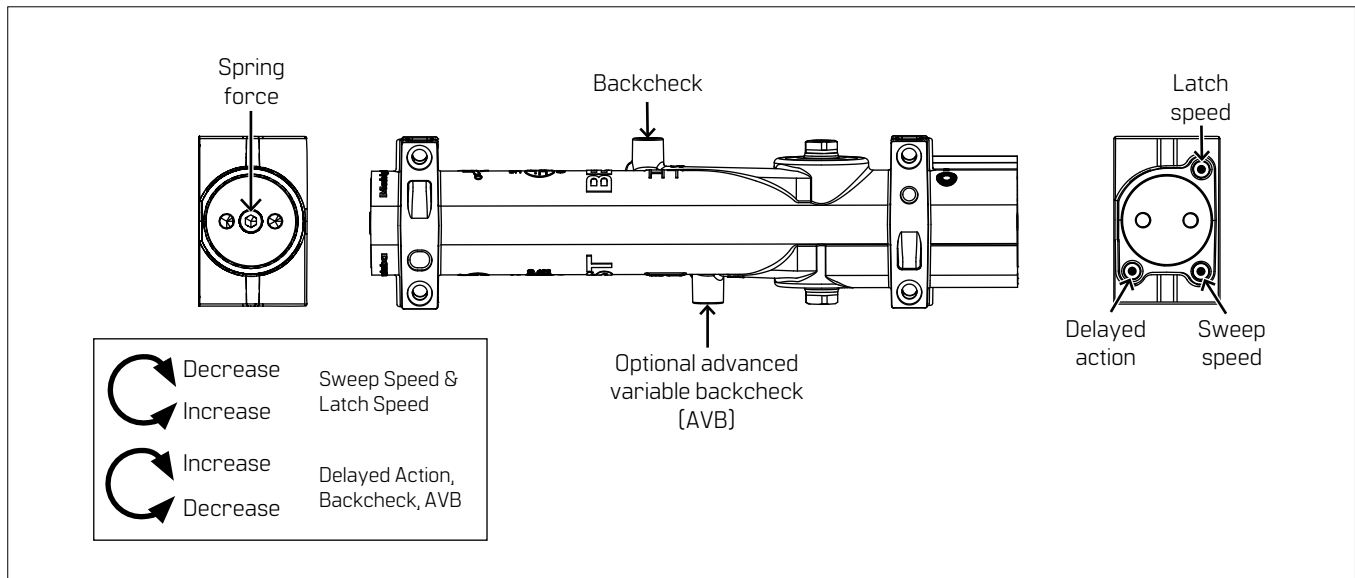
Door should close in 3 to 6 seconds from 90°.



Do not close valves completely.

3.1 Adjust closing speeds: sweep, latch, backcheck, delayed action

Fig.5

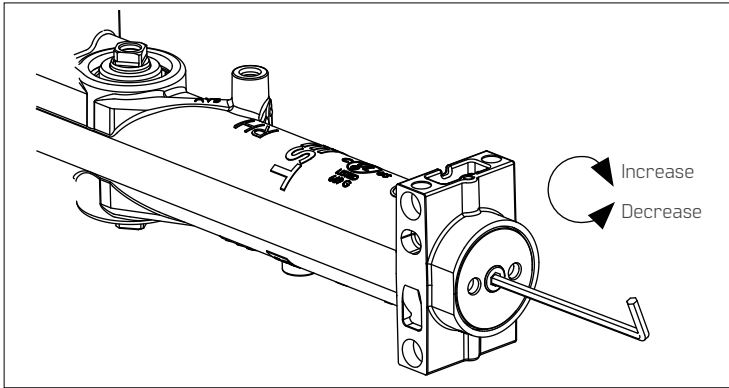


- 3.1.1 Adjust **closing sweep speed**: 90° to start of latch speed.
 - Increase sweep speed: Turn valve counter-clockwise.
 - Decrease sweep speed: Turn valve clockwise.
- 3.1.2 Adjust **closing latch speed**: 15° to close.
 - Increase latch speed: Turn valve counter-clockwise.
 - Decrease latch speed: Turn valve clockwise.

- 3.1.3 Adjust **opening backcheck**: beginning at 60°.
 - Increase resistance: Turn valve clockwise.
 - Decrease resistance: Turn valve counter-clockwise.
- 3.1.4 Adjust **closing delayed action**: beginning at 180°.
 - Increase delayed action: Turn valve clockwise.
 - Decrease delayed action: Turn valve counter-clockwise.

3.2 Adjust spring force

Fig.6



HD 8 0 1 6 - supplied with a size 4

HD 8 0 5 6 - supplied with a size 6

HD 8 0 1 6 ONLY - Barrier free openings: Take an opening force reading from the pull on the door. If required, adjust the spring force to meet the barrier-free requirement.

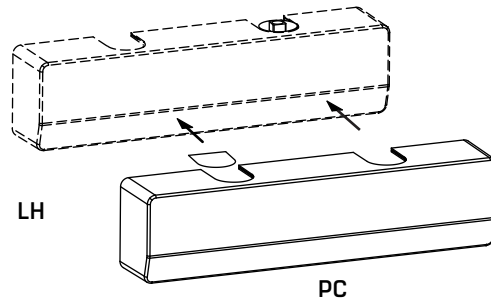
Depending on opening conditions, a door adjusted to meet barrier-free forces may not have sufficient power to reliably close and latch the door.

Parallel mount					
	Closer size	Max door weight (lbs)	Door width		Full turns
			Interior	Exterior	
HD 8 0 1 6	3	100	2'6"	----	-1 2
	4	125	3'	2'6"	0
	5	150	3'6"	3'	+4
	6	200	4'	3'6"	+1 2
HD 8 0 5 6	5	150	3'6"	3'	-6
	6	200	4'	3'6"	0
	6+	250	---	4'	6+

4 Install covers

Fig.7

- 4.1.1 Place tab in cover slot, opposite main arm.
- 4.1.2 Place cover over closer and snap into place.



For online instructions visit:

<https://dhwsupport.dormakaba.com/hc/en-us>

For assistance or warranty information:

Call 1-800-392-5209 or visit

<https://dhwsupport.dormakaba.com/hc/en-us>