

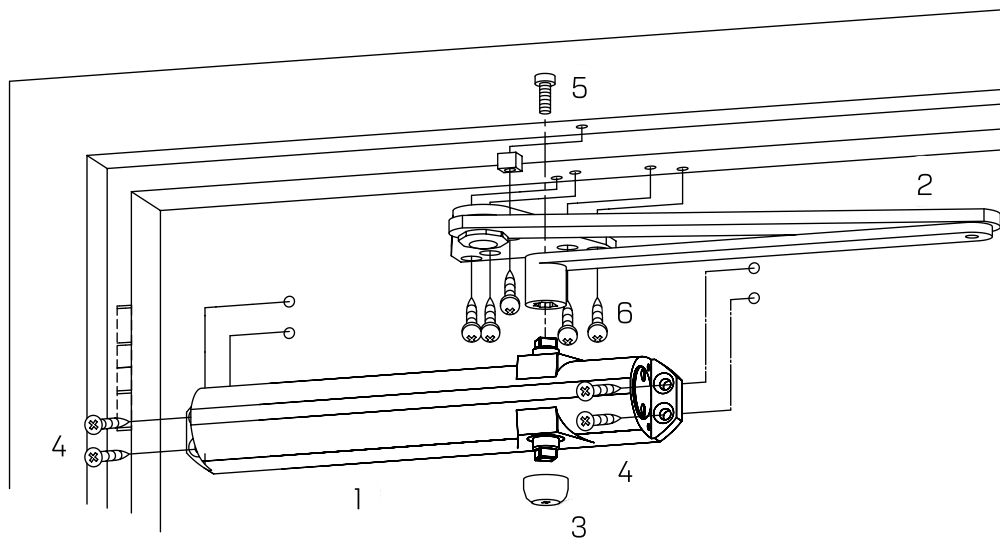
HD7000 SPA/SPAT

Super parallel arm mount with
flush transom bracket and drop plate (DP70)

Installation Instructions

OVERVIEW

Parallel mount components



1 Door closer

3 Dust cap

5 Pinion screw

2 SPA arm

4 Flat head combo screws

6 Soffit plate screws

Table of contents

1	Technical specifications	3
1.1	Overview	3
1.2	Tools recommended	3
1.3	Handing the door	3
1.4	Closer system	3
2	Instructions - parallel mount	4
2.1	Installing drop plate and surface closer	4
2.2	Secure soffit plate to frame: spacer block, blade stop, or narrow frame bracket	4
2.3	Securing main arm to closer	5
3	Adjustments	6
3.1	Adjust closing speeds: sweep, latch, backcheck, delayed action	6
3.2	Adjust hold open [optional]	6
3.3	Adjust spring force	7
4	Install covers	7

1 Technical specifications

1.1 Overview



Sex nuts are required for attachment of components to unreinforced doors and to wood or plastic faced composite type fire doors, unless an alternative method is identified in the individual door manufacturer's listings.



Maximum door opening degree is 110°.



Hold open range is from 85° to 110°.



Know the swing of the door which is being installed prior to installation.



Verify closer spring size prior to installation.



Make sure door efficiently operates prior to installing closer.



Do not hammer arm onto spindle. Warranty will be void.

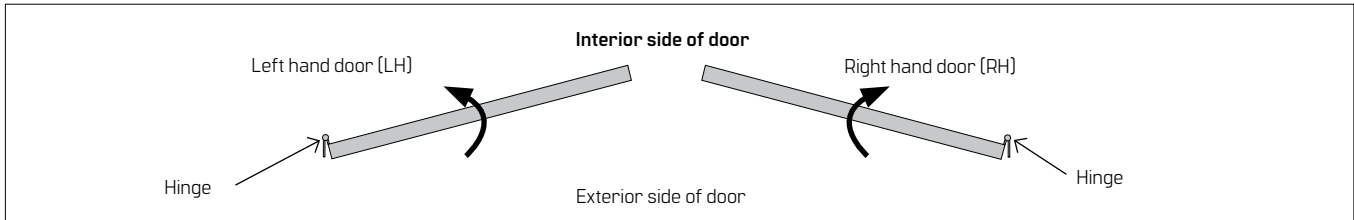
1.2 Tools recommended

Table 1

Drill bits:	#3 Phillips screwdriver
Metal: 7/32" drill bit; 1/4-20 tap	3/16" flat head screwdriver
Wood: 3/8" and 5/32" bit	5mm hex key
1/2" box wrench	10" box wrench

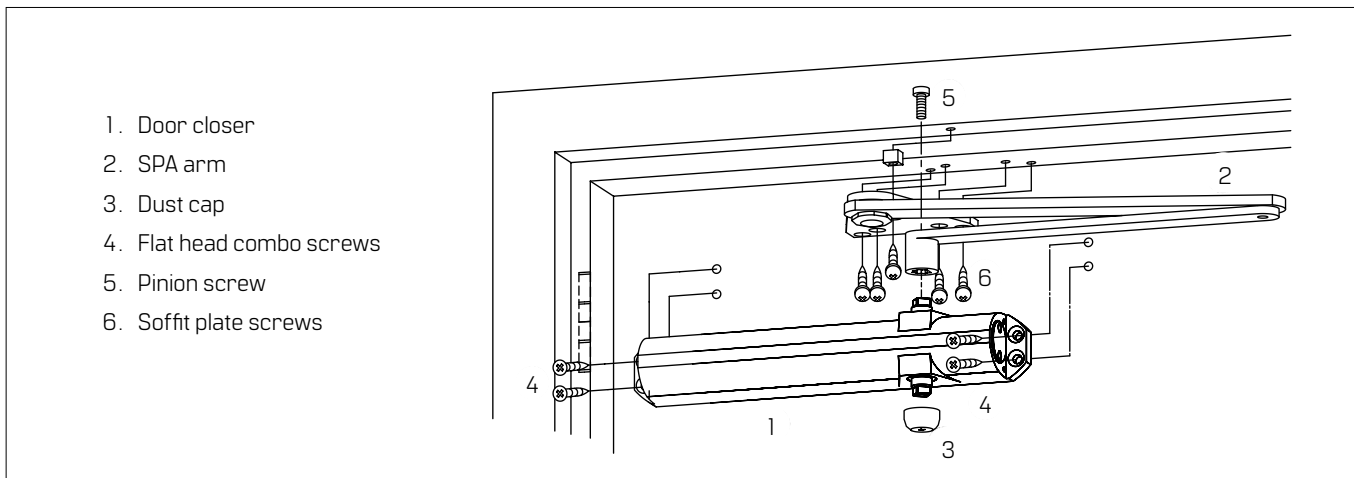
1.3 Handing the door

Fig.1



1.4 Closer system

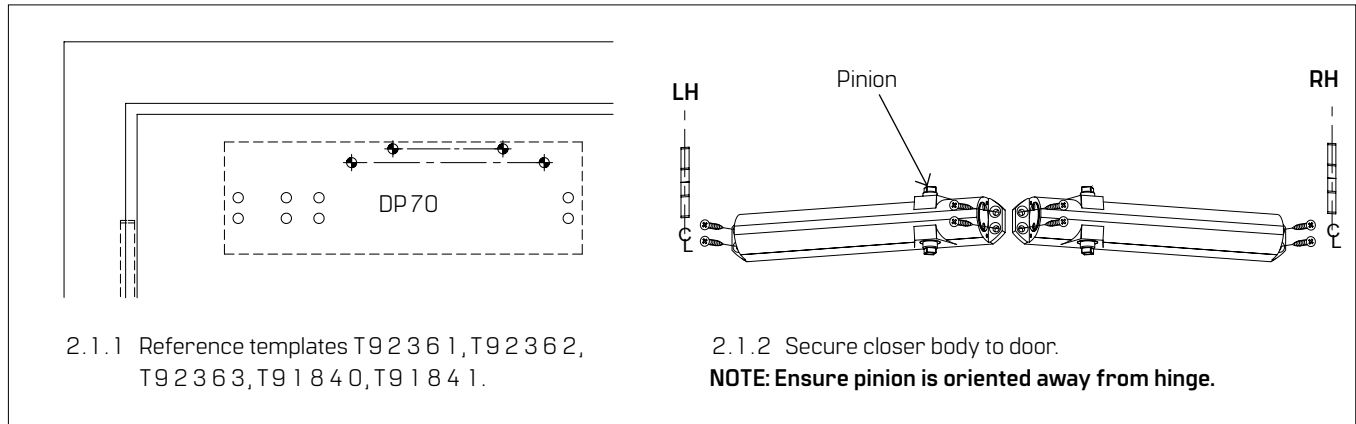
Fig.2



2 Instructions - parallel mount

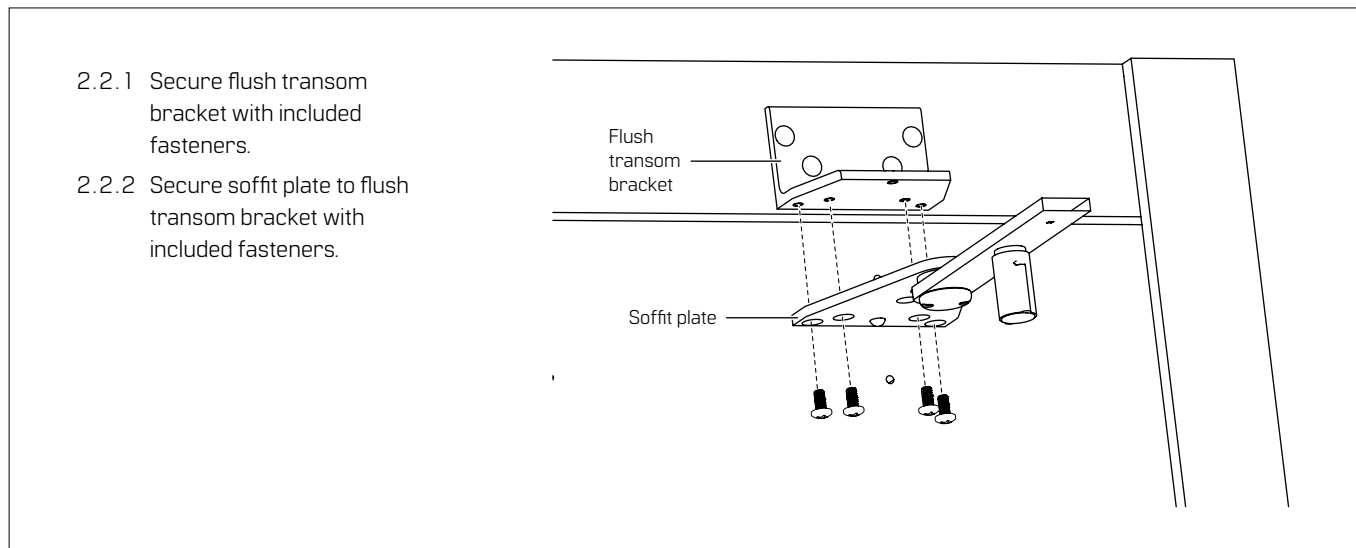
2.1 Install drop plate and surface closer

Fig.3



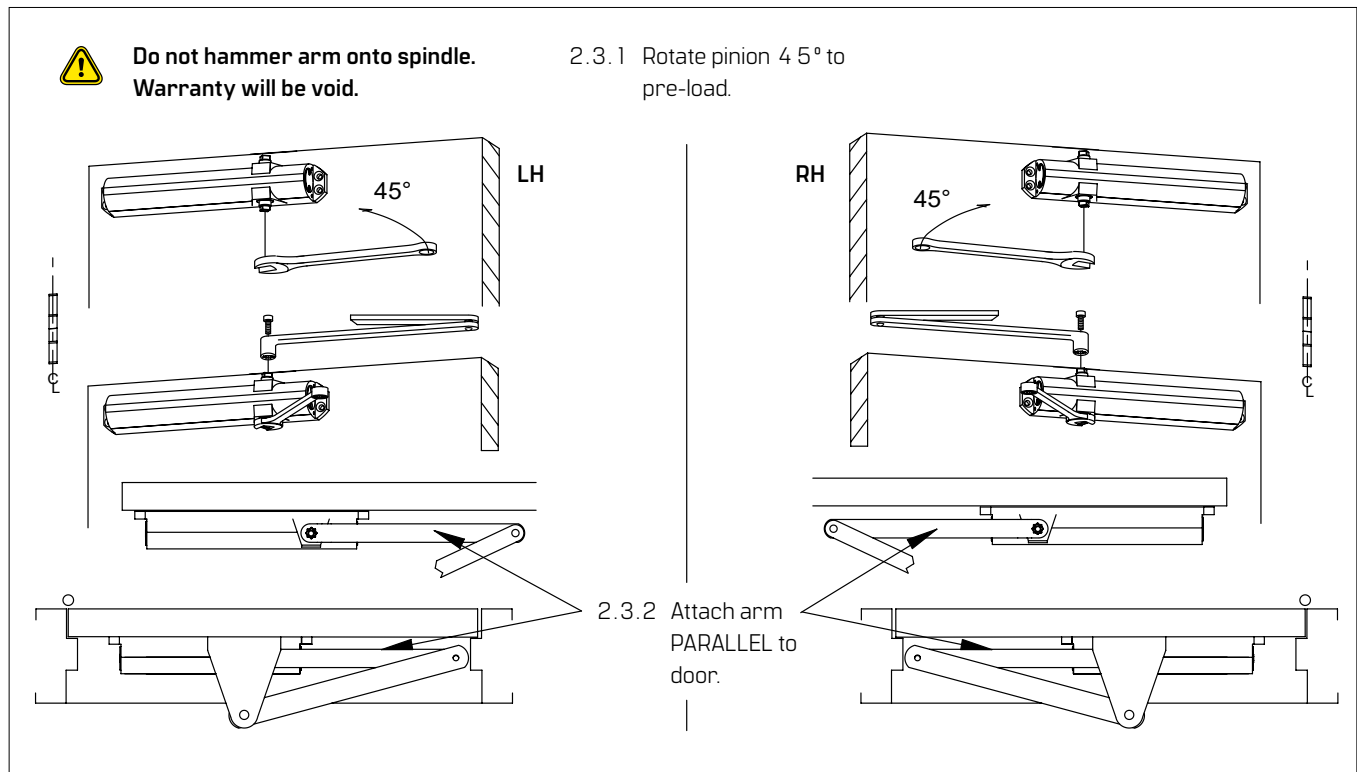
2.2 Secure flush transom bracket and soffit plate

Fig.4













2.3 Secure main arm to closer

Fig.5

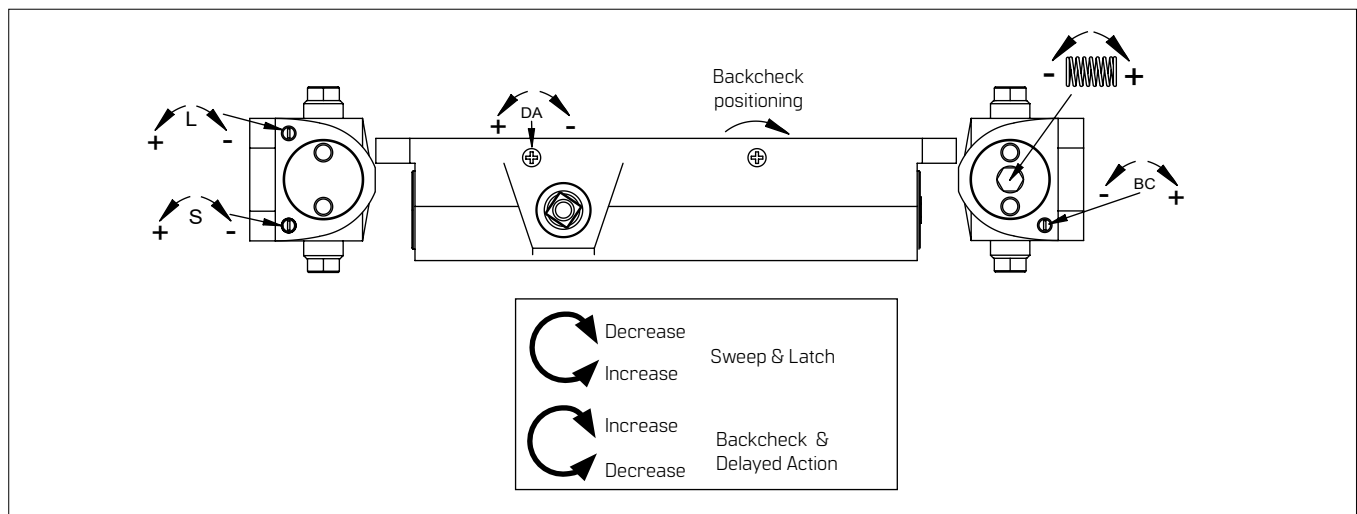


3 Adjustments

-  Confirm closer spring size prior to making any closing speed adjustments.
-  Do not back valve heads out beyond closer casting.
-  Backcheck positioning **MUST** be turned "ON" for parallel arm applications.
-  Backcheck position will advance approximately 15°.
-  Check delayed action (DEL) function if supplied.
-  Maximum opening angle is 110°.
-  Door should close in 3 to 6 seconds from 90°.
-  Do not close valves completely.
-  Ball bearing hinges and pivots should always be used.
-  HD7016 meets 5lb interior barrier-free requirements. If necessary, adjust closer spring and test pull forces until proper forces are obtained.

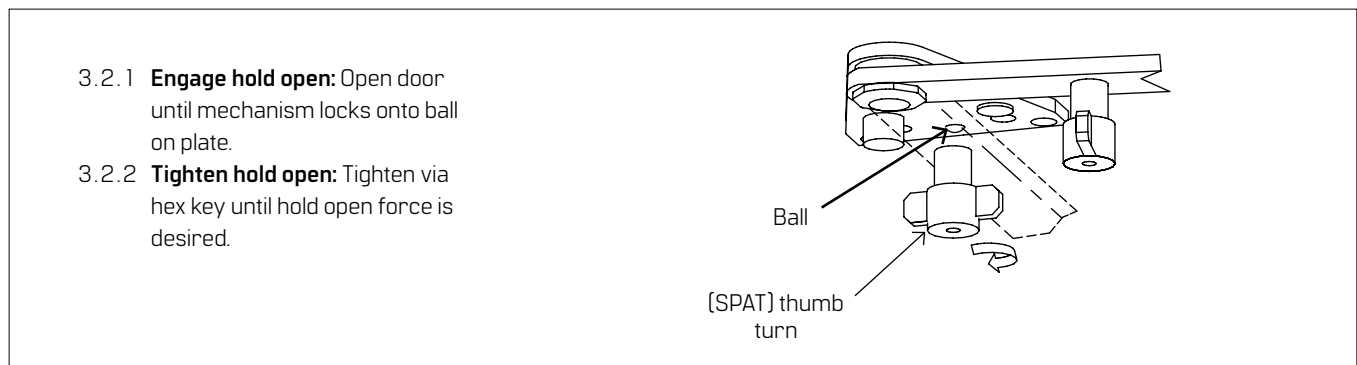
3.1 Adjust closing speeds: sweep, latch, backcheck, delayed action

Fig.6



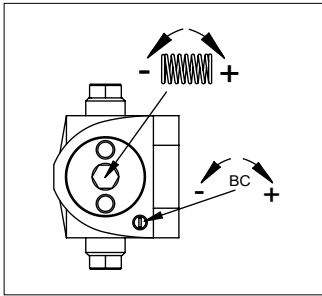
3.2 Adjust hold open (optional)

Fig.7



3.3 Adjust spring force

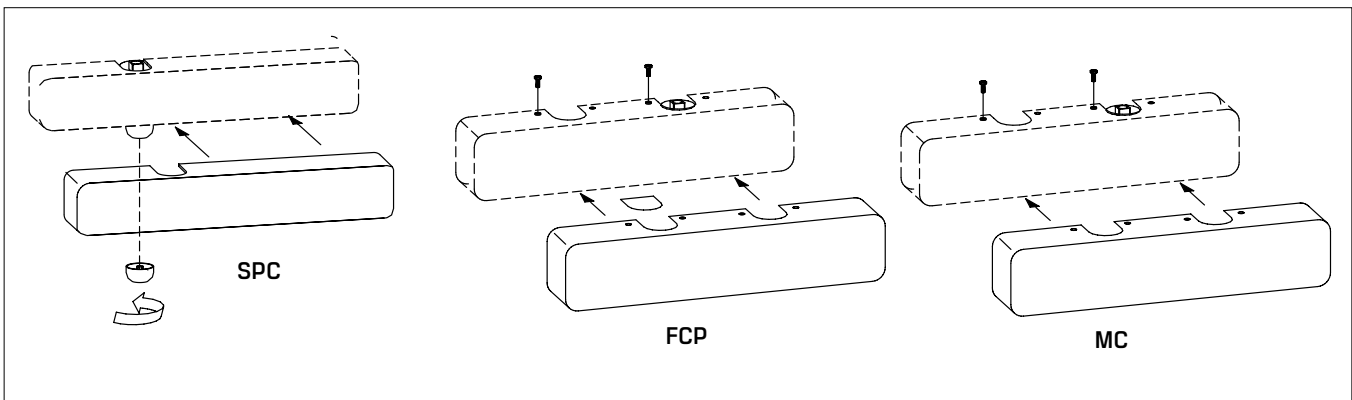
Fig.8



Parallel mount					
	Closer size	Max door weight (lbs)	Door width		Full turns
			Interior	Exterior	
HD7016	3	100	2'-6"	---	-11
	4	125	3'	2'6"	0
	5	150	3'6"	3'	+5
	6	200	4'	3'6"	+13

4 Install covers

Fig.9





For online instructions visit:

<https://dhwsupport.dormakaba.com/hc/en-us>

For assistance or warranty information:

Call 1-800-392-5209 or visit

<https://dhwsupport.dormakaba.com/hc/en-us>