

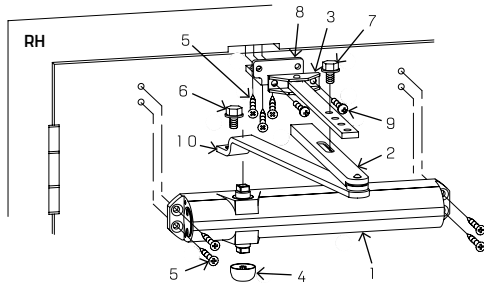
# HD7000 AF/AR70 x MJ HD7000 AF/AR70P x MJ

Flat arm/round arm for regular and parallel mounts with mortised jamb bracket and optional backplate (BP70)

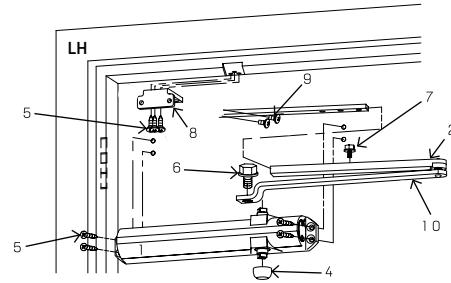
## Installation Instructions

### OVERVIEW

#### AF regular mount



#### AF parallel mount



**1** Door closer

**2** Connecting arm (flat)

**3** Bar and shoe

**4** Dust cap

**5** Flat head combo screws

**6** Pinion screw

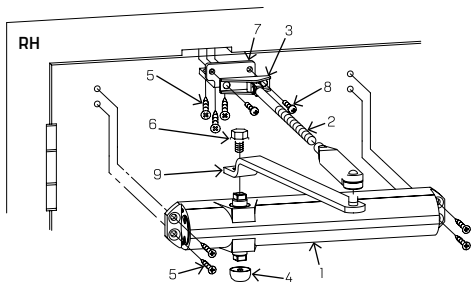
**7** Connecting arm screws

**8** Mortise jamb bracket

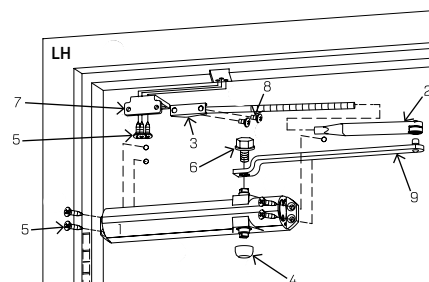
**9** Arm shoe screws

**10** Main arm

#### AR regular mount



#### AR parallel mount



**1** Door closer

**2** Connecting arm (round)

**3** Bar and shoe

**4** Dust cap

**5** Flat head combo screws

**6** Pinion screw

**7** Mortise jamb bracket

**8** Arm shoe screws

**9** Main arm



# Table of contents

<b>1</b>	<b>Technical specifications</b>	<b>4</b>
1.1	Overview	4
1.2	Tools recommended	4
1.3	Handing the door	4
<b>2</b>	<b>Instructions - AF regular mount</b>	<b>5</b>
2.1	Closer system: Flat arm (AF)	5
2.2	Installing backplate (optional) and surface closer	5
2.3	Installing mortise jamb bracket and arms (AF)	5
<b>3</b>	<b>Instructions - AR regular mount</b>	<b>6</b>
3.1	Closer system: Round arm (AR)	6
3.2	Installing backplate (optional) and surface closer	6
3.3	Installing mortise jamb bracket and arms (AR)	6
<b>4</b>	<b>Instructions - AF parallel mount</b>	<b>7</b>
4.1	Closer system: Flat arm (AF)	7
4.2	Installing drop plate (optional) and closer	7
4.3	Installing mortise jamb bracket and arms (AF)	7
<b>5</b>	<b>Instructions - AR parallel mount</b>	<b>8</b>
5.1	Closer system: Round arm (AR)	8
5.2	Installing drop plate (optional) and closer	8
5.3	Installing mortise jamb bracket and arms (AR)	8
<b>6</b>	<b>Adjustments</b>	<b>9</b>
6.1	Adjust closing speeds: sweep, latch, backcheck, delayed action	9
6.2	Adjust spring force	10
<b>7</b>	<b>Install covers</b>	<b>11</b>

# 1 Technical specifications

## 1.1 Overview



Sex nuts are required for attachment of components to unreinforced doors and to wood or plastic faced composite type fire doors, unless an alternative method is identified in the individual door manufacturer's listings.



Maximum door opening degree is 180°.



Know the swing of the door which is being installed prior to installation.



Verify closer spring size prior to installation.



Make sure door efficiently operates prior to installing closer.



Do not hammer arm onto spindle. Warranty will be void.

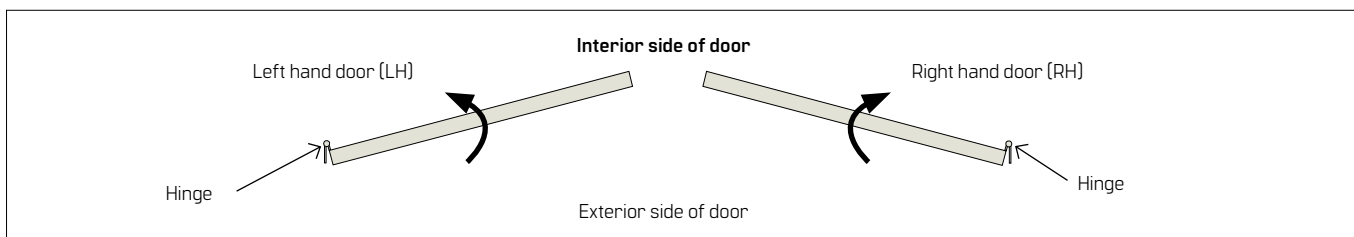
## 1.2 Tools recommended

Table 1

Drill bits:	#3 Phillips screwdriver
Metal: 7/32" drill bit; 1/4-20 tap	3/16" flat head screwdriver
Wood: 3/8" and 5/32" bit	5mm hex key
1/2" box wrench	

## 1.3 Handing the door

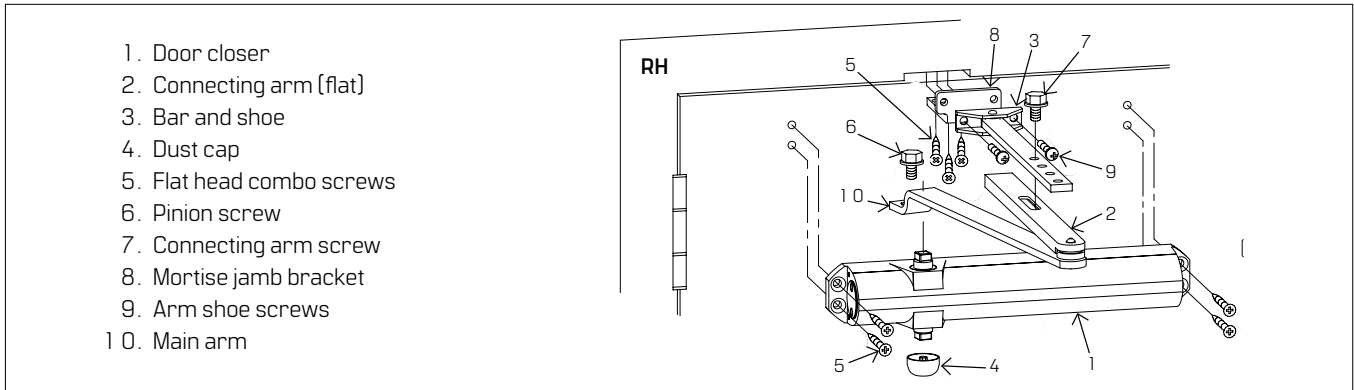
Fig. 1



# 2 Instructions - AF regular mount

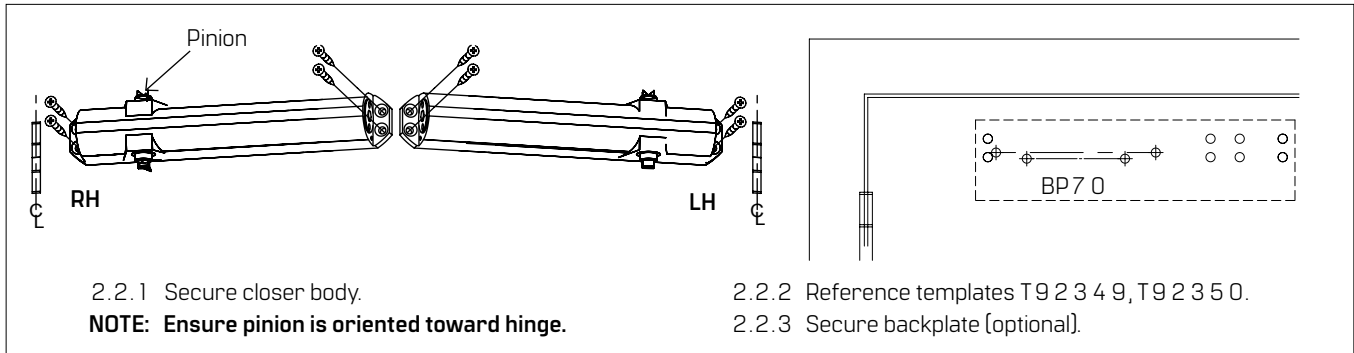
## 2.1 Closer system: Flat arm [AF]

Fig.2



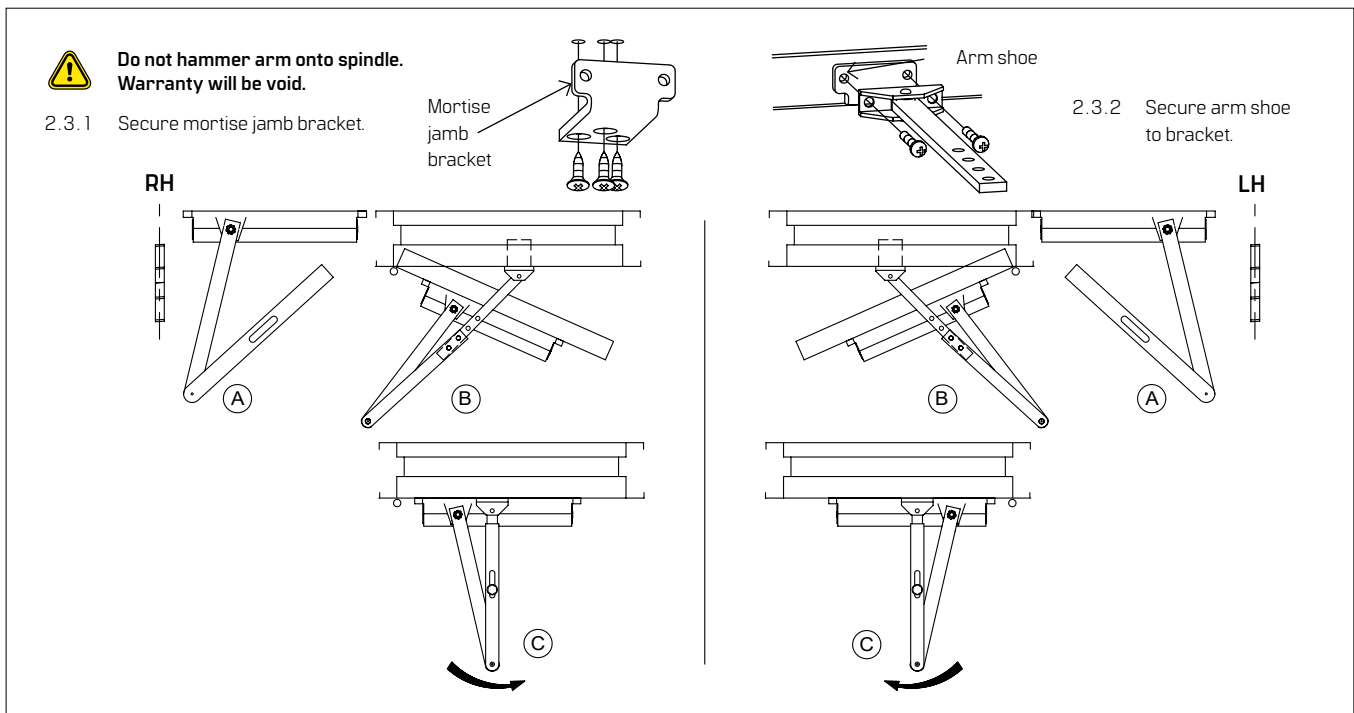
## 2.2 Installing backplate [optional] and surface closer

Fig.3



## 2.3 Installing mortise jamb bracket and arms [AF]

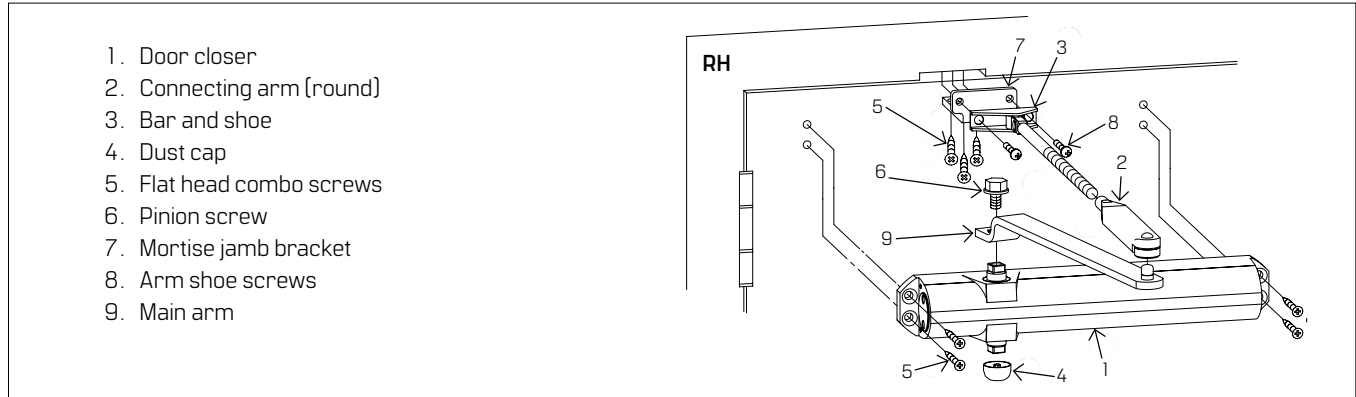
Fig.4



# 3 Instructions - AR regular mount

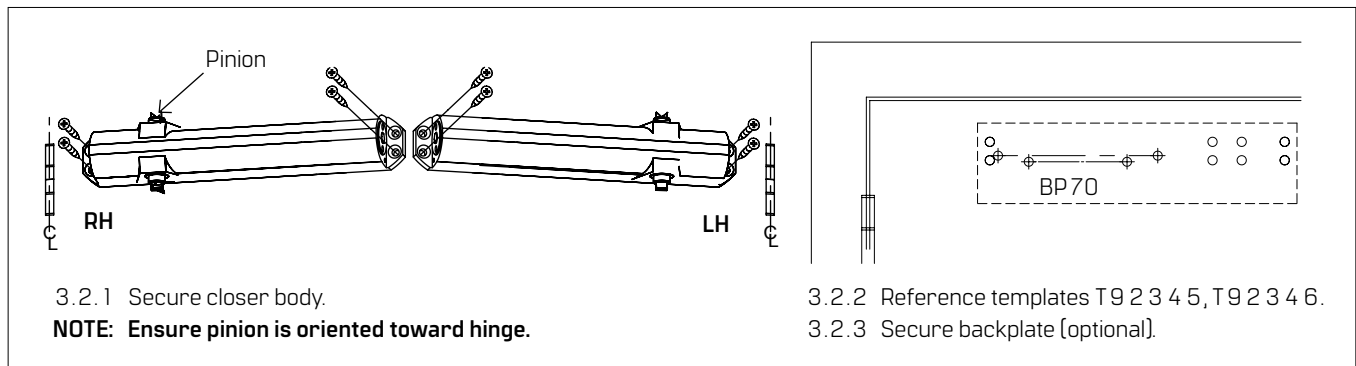
## 3.1 Closer system: Round arm (AR)

Fig.5



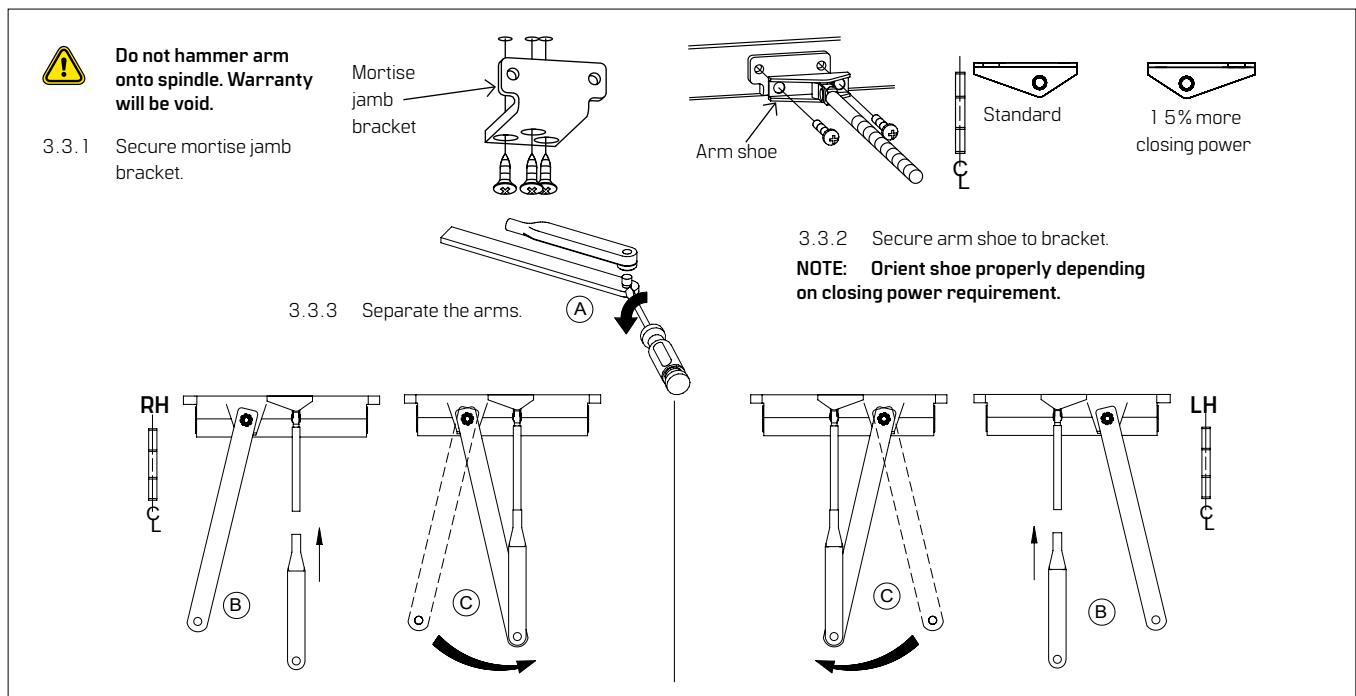
## 3.2 Installing backplate (optional) and surface closer

Fig.6



## 3.3 Installing mortise jamb bracket and arms (AR)

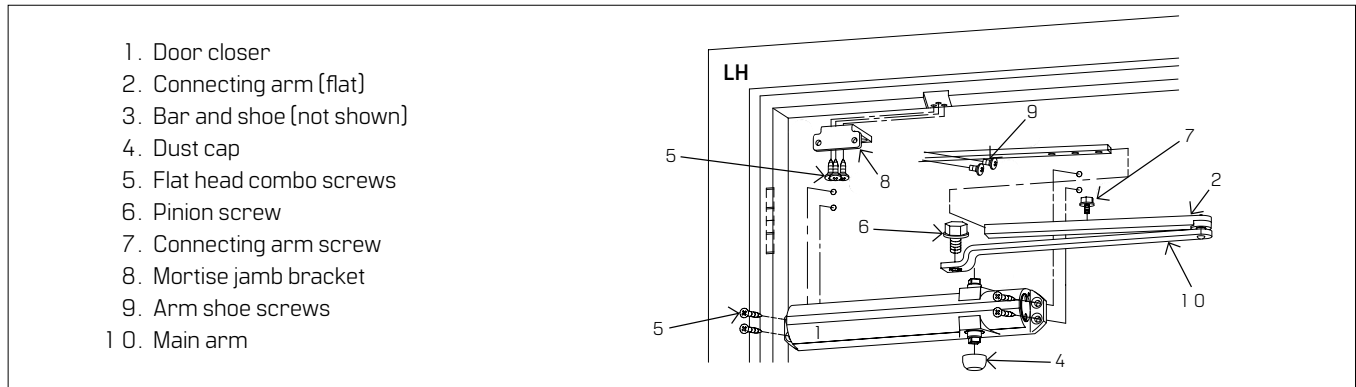
Fig.7



# 4 Instructions - AF parallel mount

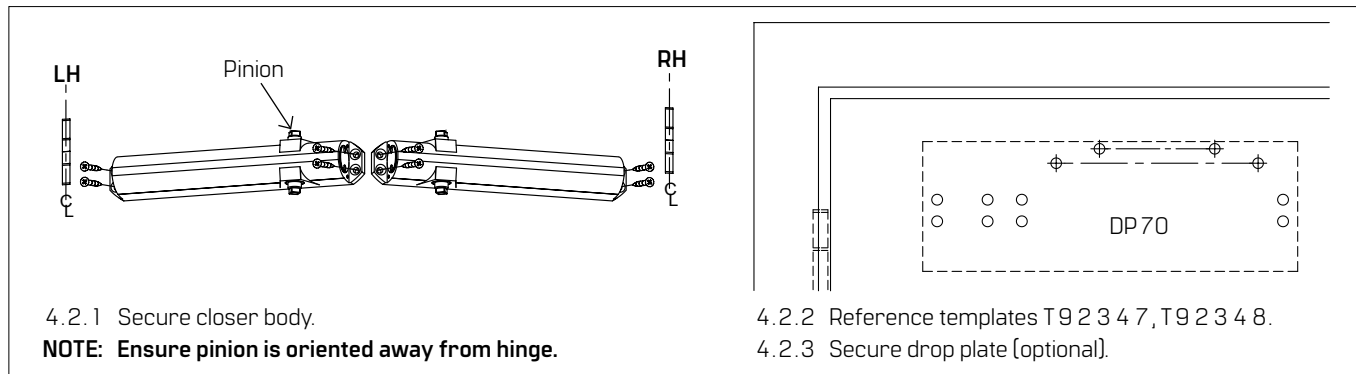
## 4.1 Closer system: Flat arm (AF)

Fig.8



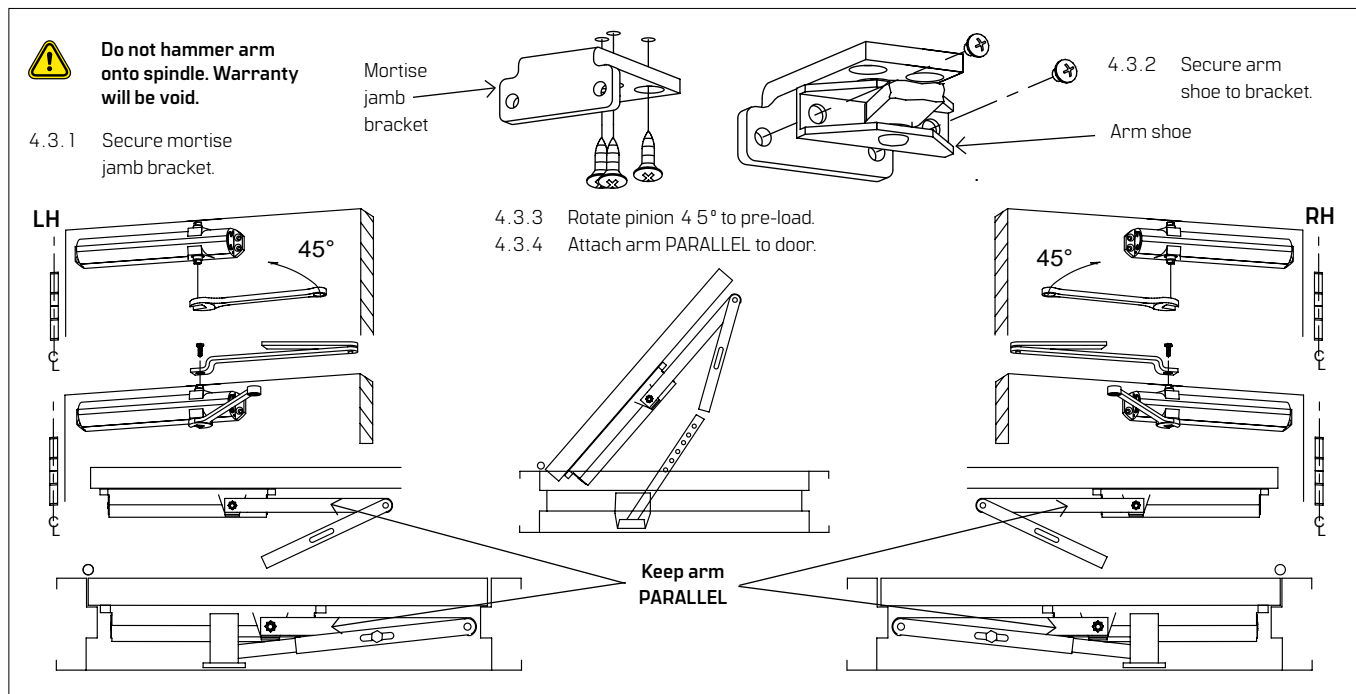
## 4.2 Installing drop plate (optional) and closer

Fig.9



## 4.3 Installing mortise jamb bracket and arms (AF)

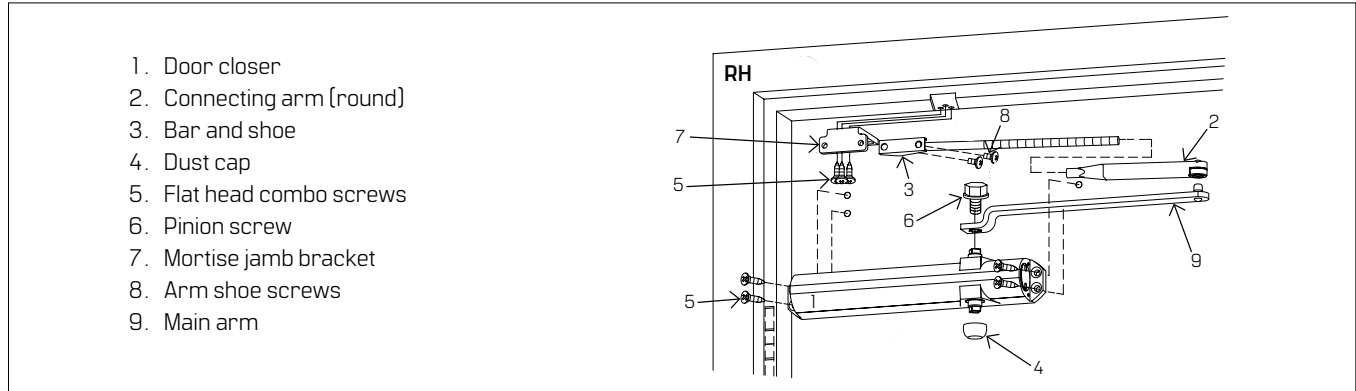
Fig.10



# 5 Instructions - AR parallel mount

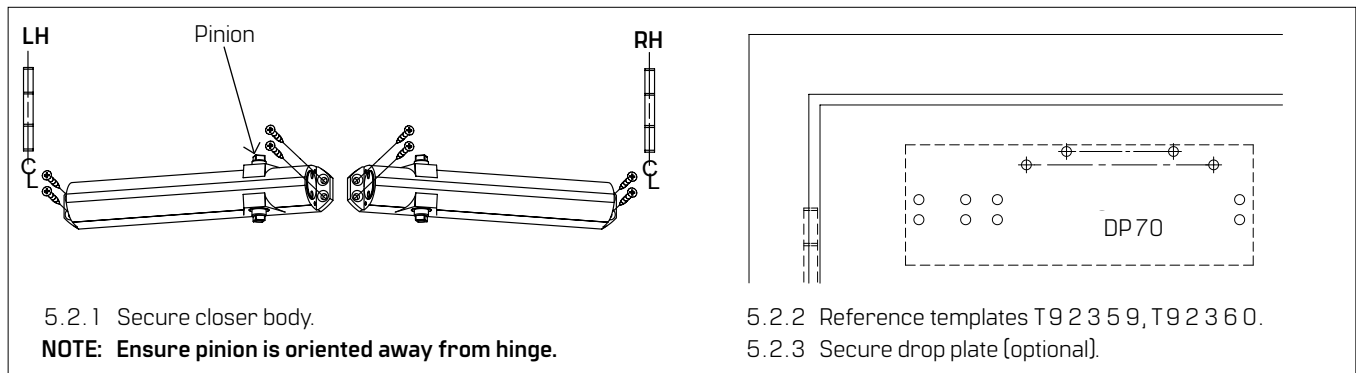
## 5.1 Closer system: Round arm (AR)

Fig.1 1



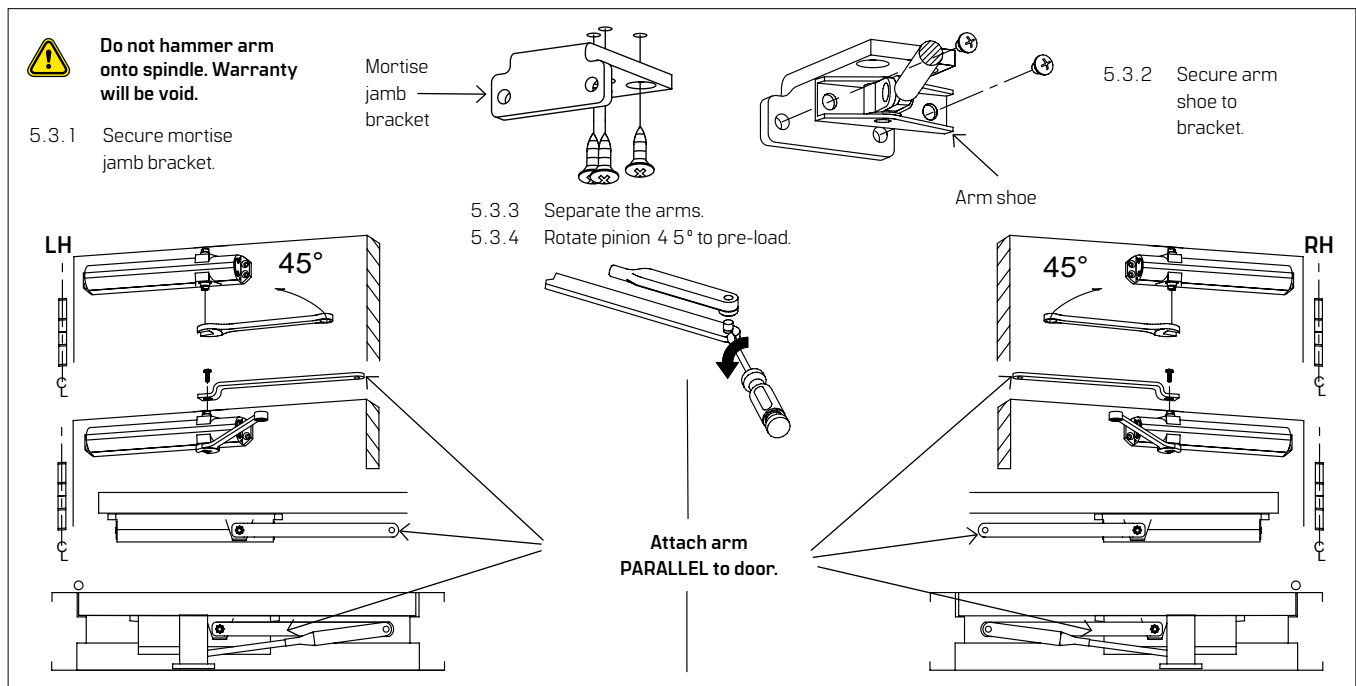
## 5.2 Installing drop plate (optional) and closer

Fig.1 2













## 5.3 Installing mortise jamb bracket and arms (AR)

Fig.1 3



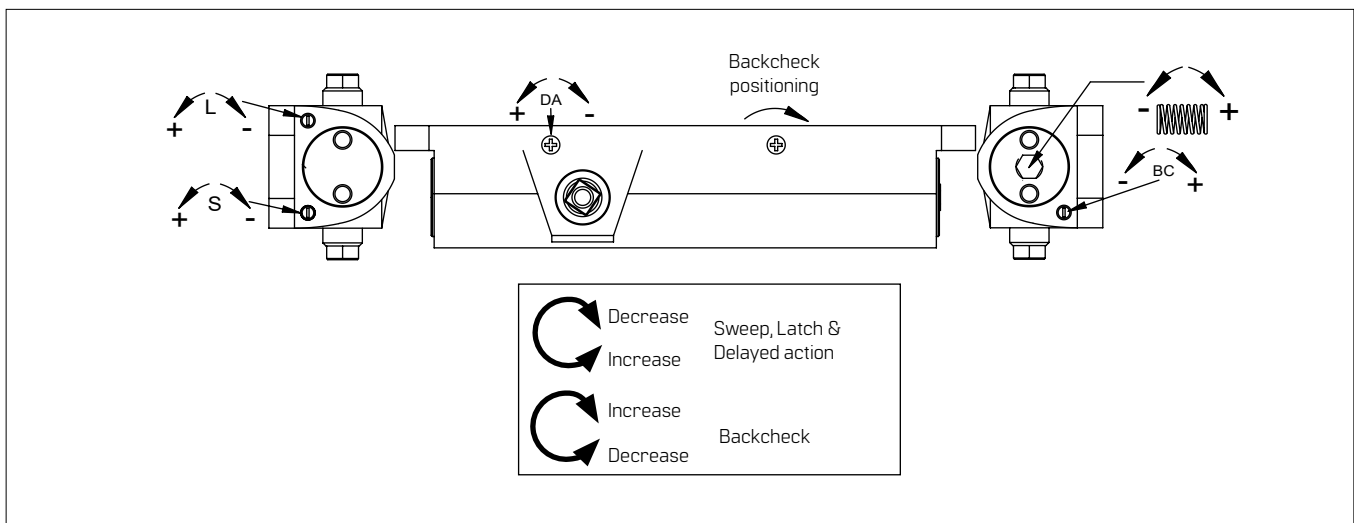


# 6 Adjustments

-  Confirm closer spring size prior to making any closing speed adjustments.
-  Do not back valve heads out beyond closer casting.
-  Backcheck positioning **MUST** be turned "ON" for parallel arm applications.
-  Backcheck position will advance approximately 15°.
-  Check delayed action (DEL) function if supplied.
-  Maximum opening angle is 180°.
-  Door should close in 3 to 6 seconds from 90°.
-  Do not close valves completely.
-  Ball bearing hinges and pivots should always be used.
-  HD7 0 1 6 meets 5lb interior barrier-free requirements. If necessary, adjust closer spring and test pull forces until proper forces are obtained.

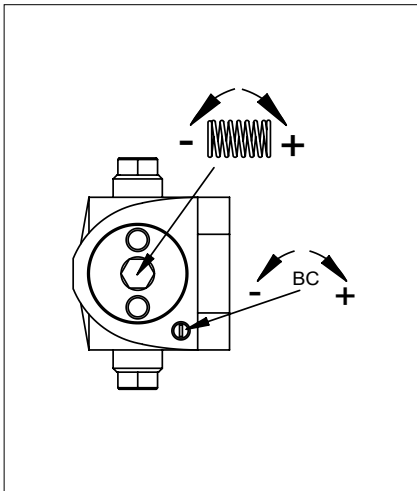
## 6.1 Adjust closing speeds: sweep, latch, backcheck, delayed action

Fig.1 4



## 6.2 Adjust spring force

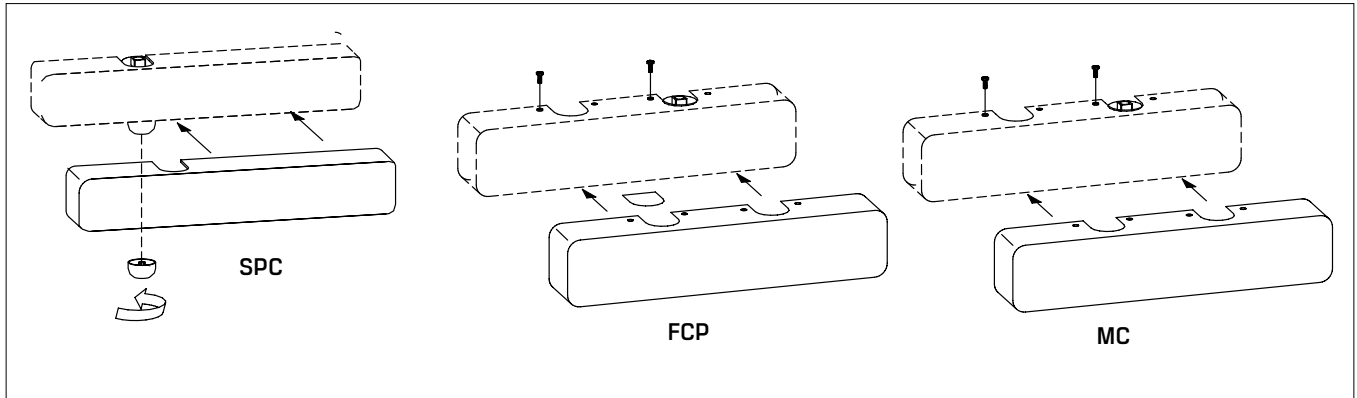
Fig. 1 5



Regular mount					
	Closer size	Max door weight (lbs)	Door width		Full turns
			Interior	Exterior	
HD7 0 1 6	2	100	2'6"	----	-1 9
	3	125	3'	2'6"	-1 1
	4	150	3'6"	3'	0
	5	200	4'	3'6"	+5
	6	250	----	4'	+1 3
Parallel mount					
HD7 0 1 6	3	100	2'6"	----	-1 1
	4	125	3'	2'6"	0
	5	150	3'6"	3'	+5
	6	200	4'	3'6"	+1 3

# 7 Install covers

Fig.1 6





**For online instructions visit:**  
<https://dhwsupport.dormakaba.com/hc/en-us>  
**For assistance or warranty information:**  
Call 1-800-392-5209 or visit  
<https://dhwsupport.dormakaba.com/hc/en-us>