

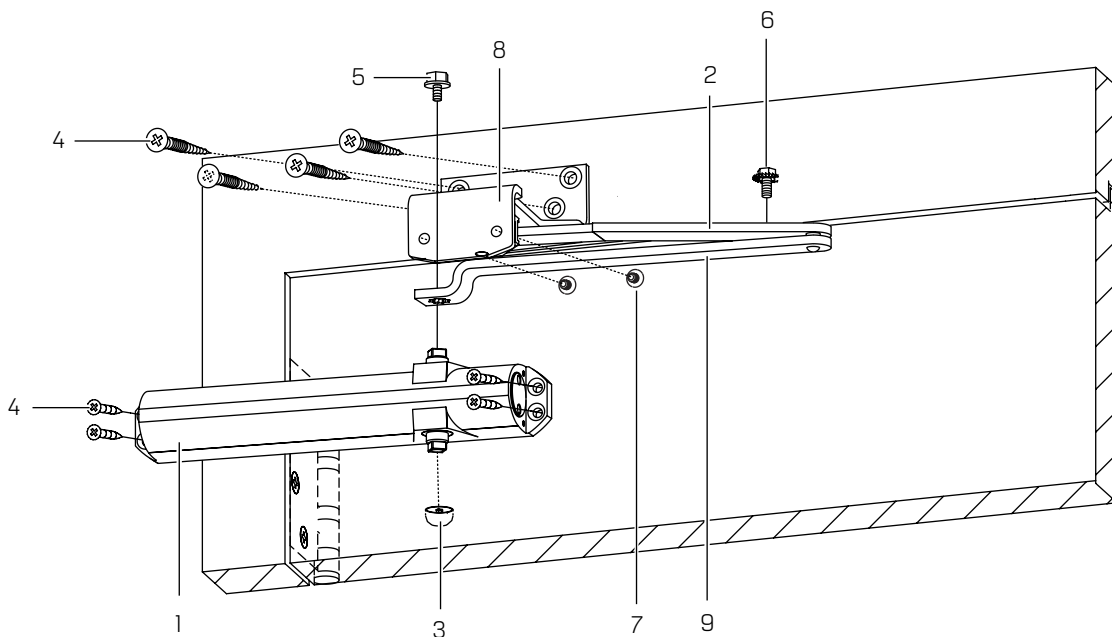
HD7016 AF/ARP x PFT

Flat arm/round arm for parallel arm mount with parallel flush transom bracket and drop plate (DP70)

Installation Instructions

OVERVIEW

Parallel mount components



1 Door closer

4 Flat head combo screws

7 Pan head combo screws

2 Connecting arm (flat)

5 Pinion screw

8 Parallel flush transom bracket

3 Dust cap

6 Connecting arm screw

9 Main arm

Table of contents

1	Technical specifications	3
1.1	Overview	3
1.2	Tools recommended	3
1.3	Handing the door	3
2	Instructions - parallel mount	4
2.1	Installing drop plate and surface closer	4
2.2	Installing parallel flush transom bracket	4
2.3	Installing and securing arm shoe	4
2.4	Securing flat main arm (AF)	5
2.5	Securing round main arm (AR)	5
3	Adjustments	6
3.1	Adjust closing speeds: sweep, latch, backcheck, delayed action	6
3.2	Adjust spring force	7
4	Install covers	7

1 Technical specifications

1.1 Overview



Sex nuts are required for attachment of components to unreinforced doors and to wood or plastic faced composite type fire doors, unless an alternative method is identified in the individual door manufacturer's listings.



Know the swing of the door which is being installed prior to installation.



Verify closer spring size prior to installation.



Make sure door efficiently operates prior to installing closer.



Do not hammer arm onto spindle. Warranty will be void.

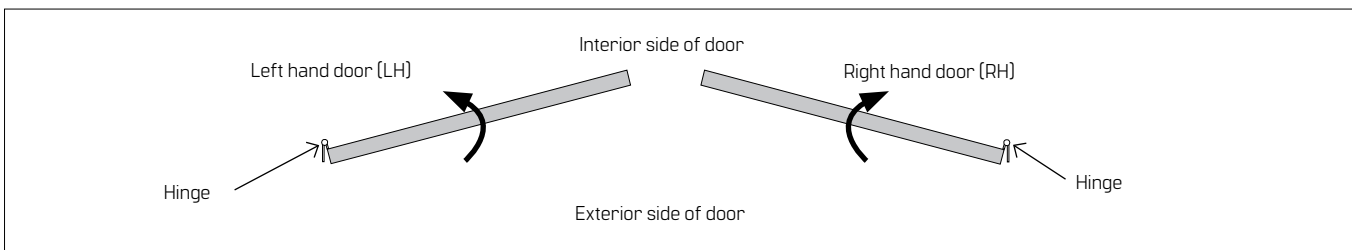
1.2 Tools recommended

Table 1

Drill bits:	#3 Phillips screwdriver
Metal: 7/32" drill bit; 1/4-20 tap	3/16" flat head screwdriver
Wood: 3/8" and 5/32" bit	5 mm hex key
1/2" box wrench	10" adjustable wrench

1.3 Handing the door

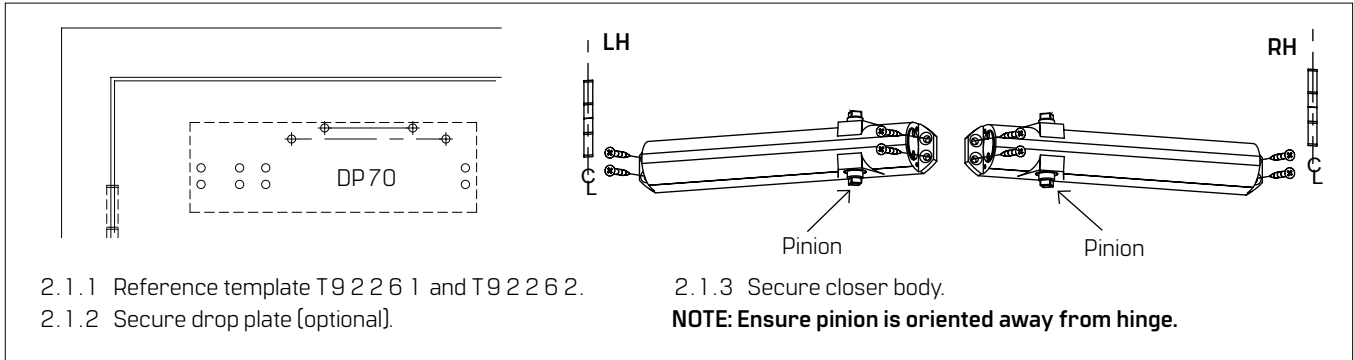
Fig. 1



2 Instructions - parallel mount

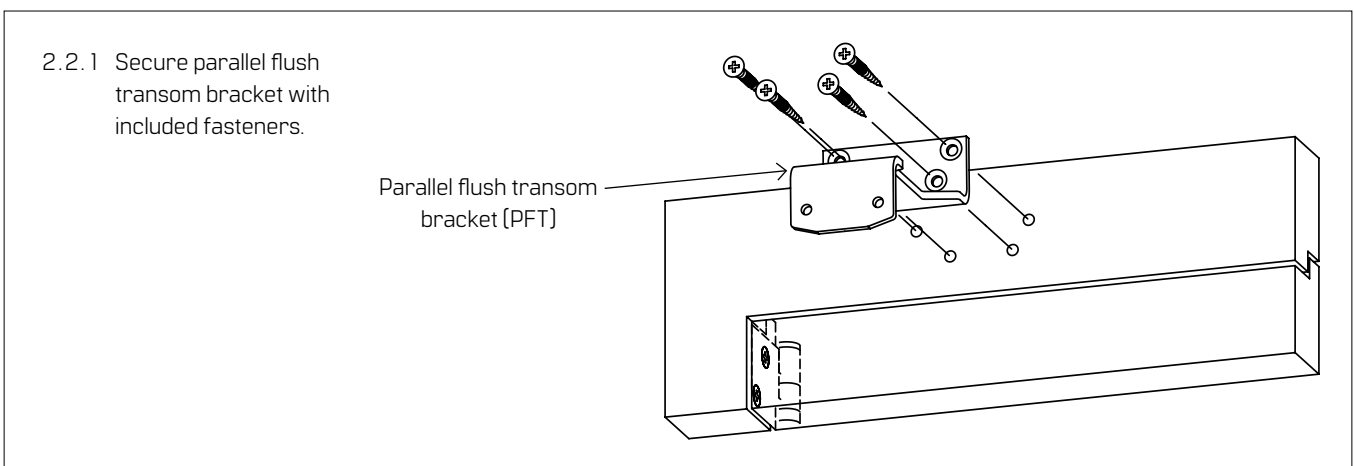
2.1 Installing drop plate and surface closer

Fig.2



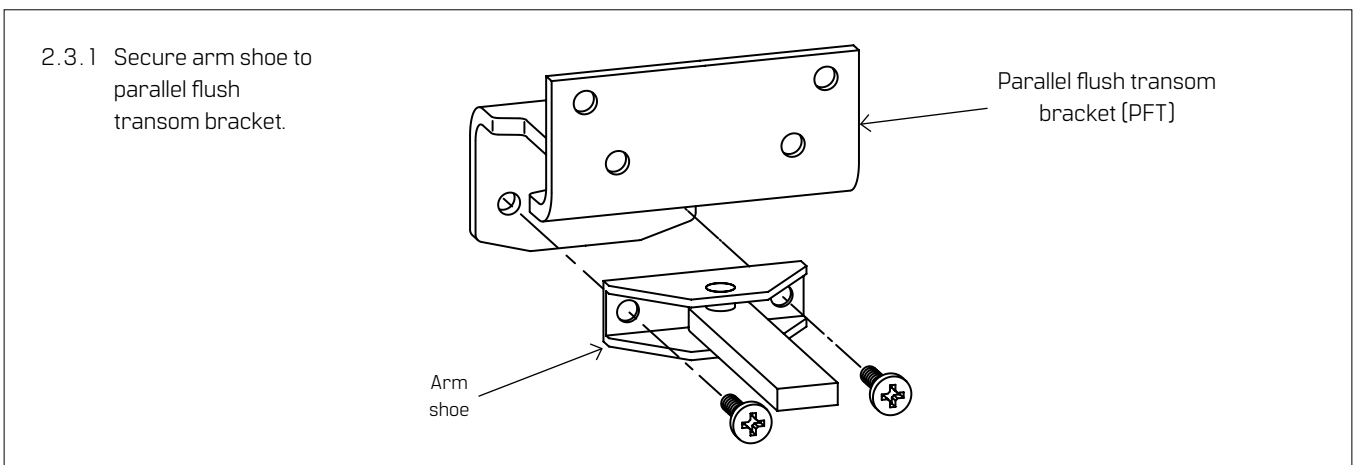
2.2 Installing parallel flush transom bracket

Fig.3



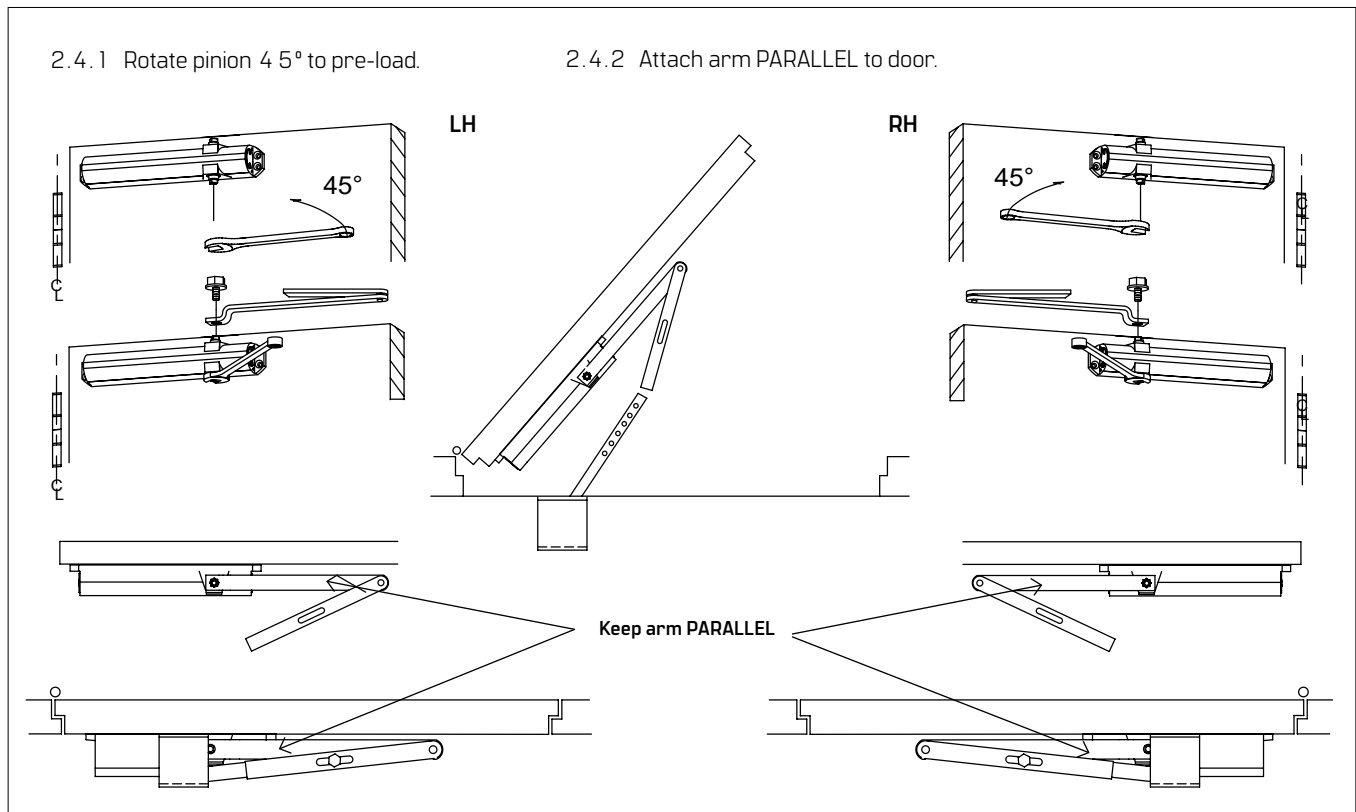
2.3 Installing and securing arm shoe

Fig.4



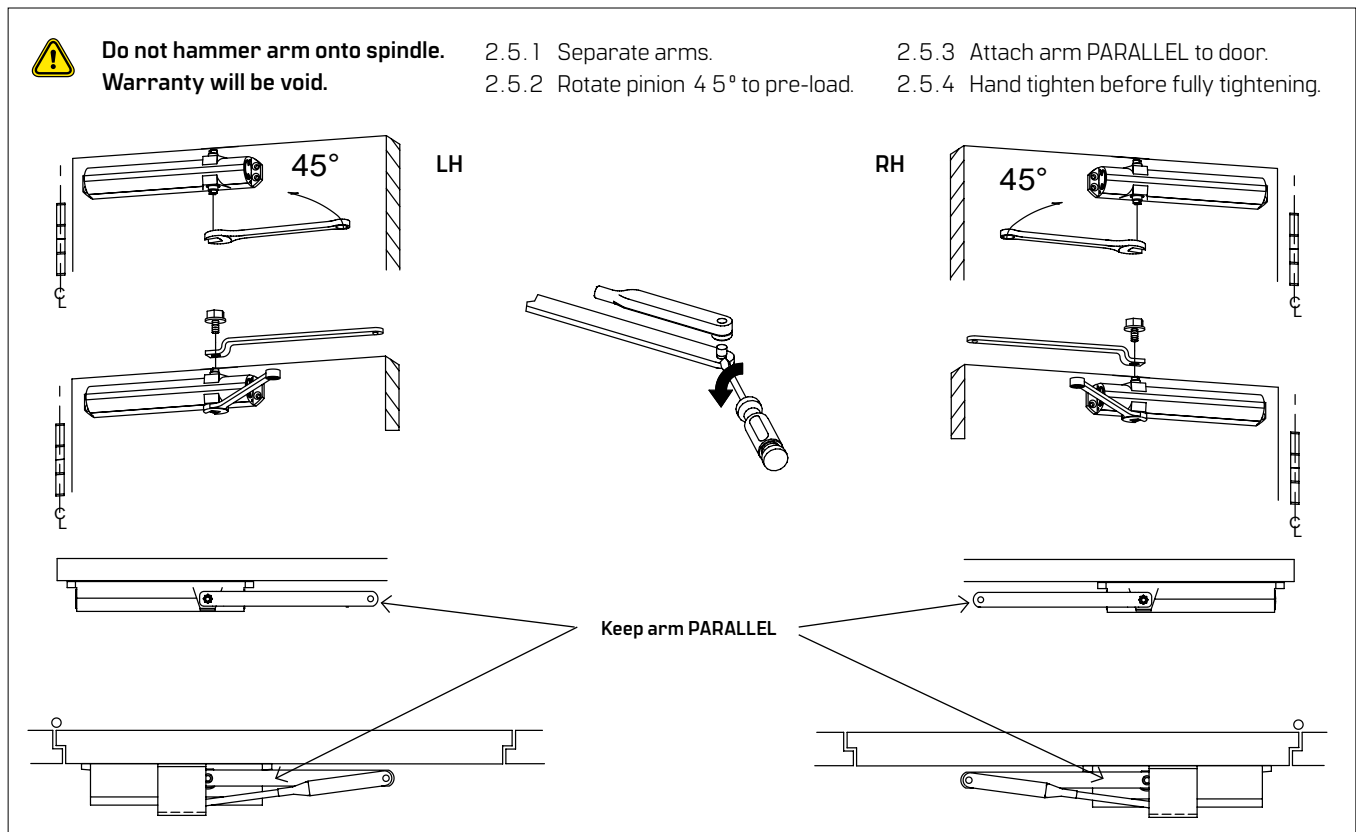
2.4 Securing flat main arm (AF)

Fig.5



2.5 Securing round main arm (AR)

Fig.6

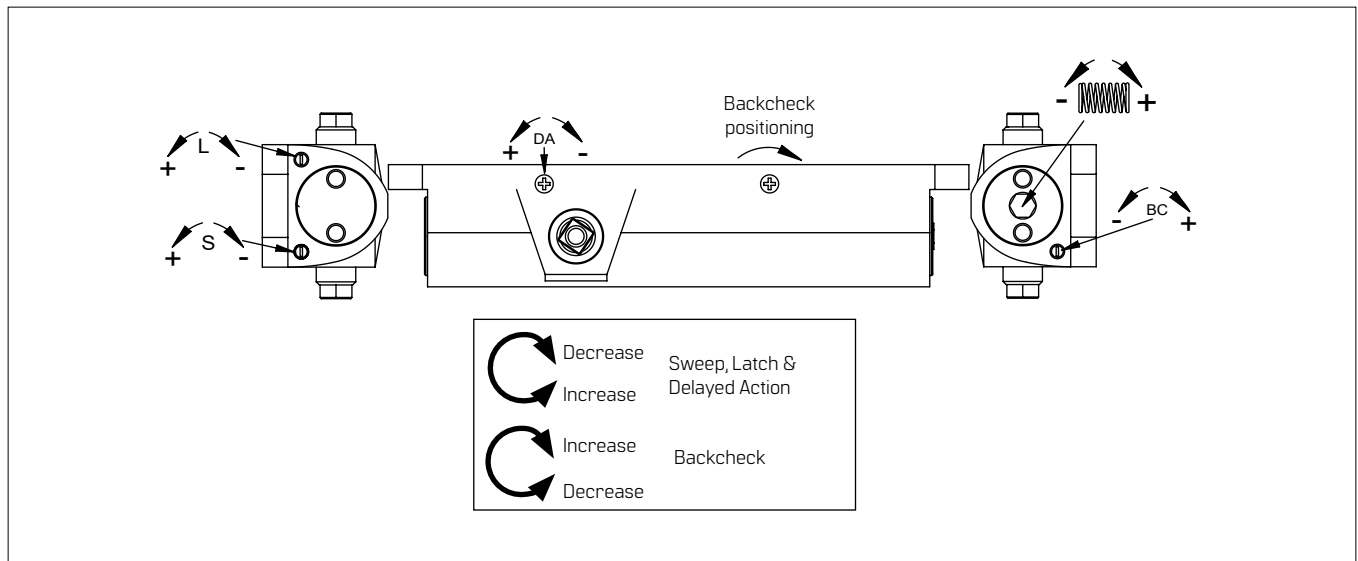


3 Adjustments

- ⚠ Confirm closer spring size prior to making any closing speed adjustments.
- ⚠ Do not back valve heads out beyond closer casting.
- ⚠ Backcheck positioning **MUST** be turned "ON" for parallel arm applications.
- ⚠ Backcheck position will advance approximately 15°.
- ⚠ Check delayed action (DEL) function if supplied.
- ⚠ Maximum opening angle is 180°.
- ⚠ Door should close in 3 to 6 seconds from 90°.
- ⚠ Do not close valves completely.
- ⚠ Ball bearing hinges and pivots should always be used.
- ⚠ HD7 0 1 6 meets 5lb interior barrier-free requirements. If necessary, adjust closer spring and test pull forces until proper forces are obtained.

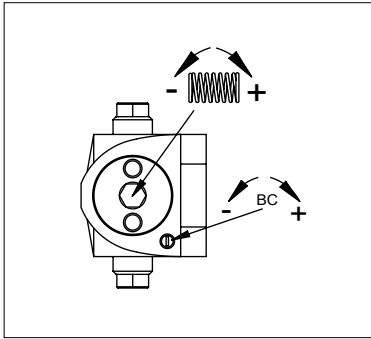
3.1 Adjust closing speeds: sweep, latch, backcheck, delayed action

Fig.7



3.2 Adjust spring force

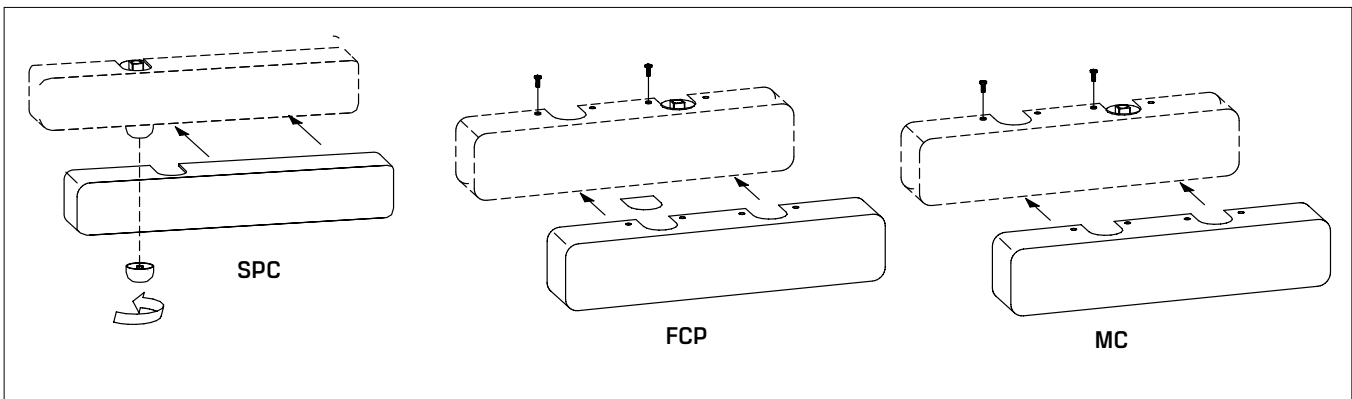
Fig.8



Parallel mount					
	Closer size	Max door weight (lbs)	Door width		Full turns
			Interior	Exterior	
HD7016	3	100	2'6"	----	-11
	4	125	3'	2'6"	0
	5	150	3'6"	3'	+5
	6	200	4'	3'6"	+13

4 Install covers

Fig.9





For online instructions visit:
<https://dhwsupport.dormakaba.com/hc/en-us>
For assistance or warranty information:
Call 1-800-392-5209 or visit
<https://dhwsupport.dormakaba.com/hc/en-us>