

SL6014/SL6036 ARP x PD

Round arm for parallel mount with parallel drop bracket

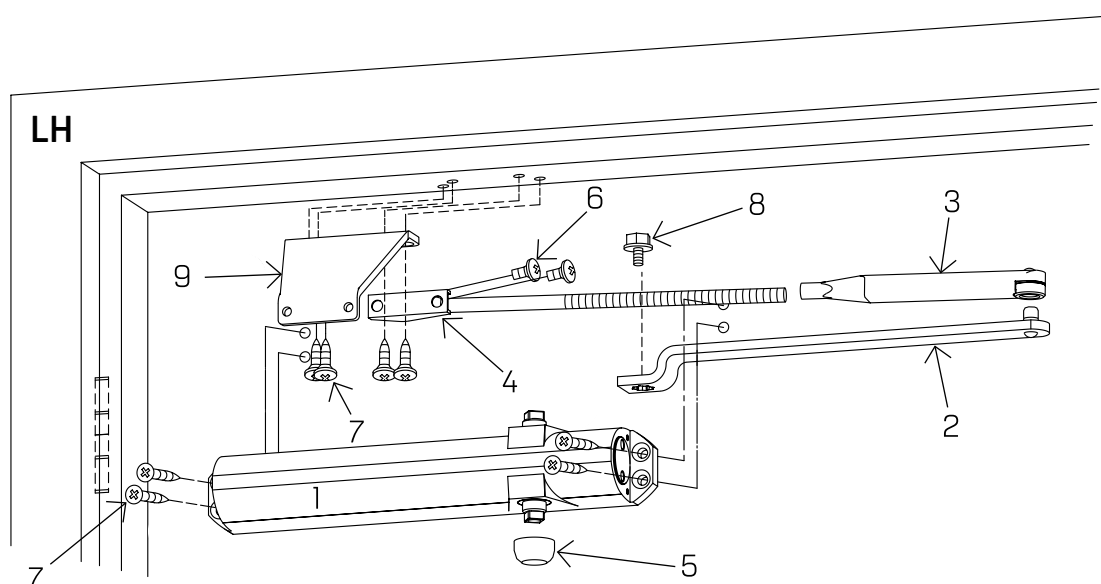
Installation Instructions



dormakaba Group

OVERVIEW

Surface closer components



1 Door Closer

4 Bar and shoe

7 Flat head combo screws

2 Main arm

5 Dust cap

8 Pinion screw

3 Connecting arm [round]

6 PA shoe screws

9 Parallel drop bracket

Table of contents

1	Technical specifications	4
1.1	Overview	4
1.2	Tools recommended	4
1.3	Handing the door	4
2	Instructions - AR parallel mount	5
2.1	Closer system: Round arm (AR)	5
2.2	Installing drop plate and closer	5
2.3	Installing parallel drop bracket and arms (AR)	5
3	Adjustments	6
3.1	Adjust closing speeds: sweep, latch, backcheck, delayed action	6
3.2	Adjust spring force	7
4	Install covers	7

1 Technical specifications

1.1 Overview



Sex nuts are required for attachment of components to unreinforced doors and to wood or plastic faced composite type fire doors, unless an alternative method is identified in the individual door manufacturer's listings.



Maximum door opening degree is 180°.



Know the swing of the door which is being installed prior to installation.



Verify closer spring size prior to installation.



Make sure door efficiently operates prior to installing closer.



Do not hammer arm onto spindle. Warranty will be void.

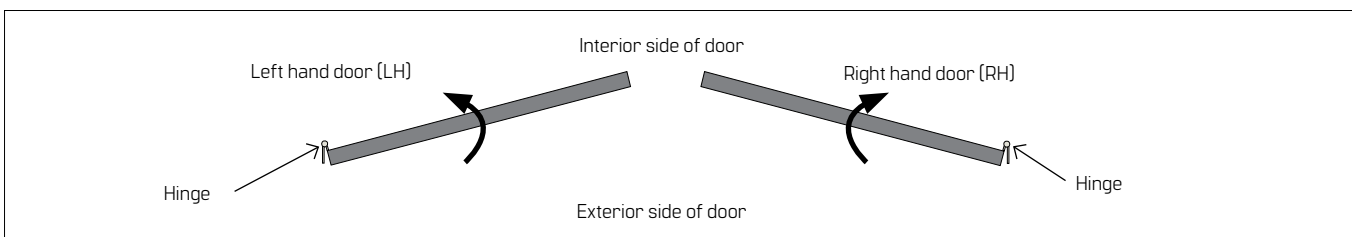
1.2 Tools recommended

Table 1

Drill bits:	#3 Phillips screwdriver
Metal: 7/32" drill bit; 1/4-20 tap	3/16" flat head screwdriver
Wood: 3/8" and 5/32" bit	1/4", 1/8", 5mm hex key
1/2" box wrench	

1.3 Handing the door

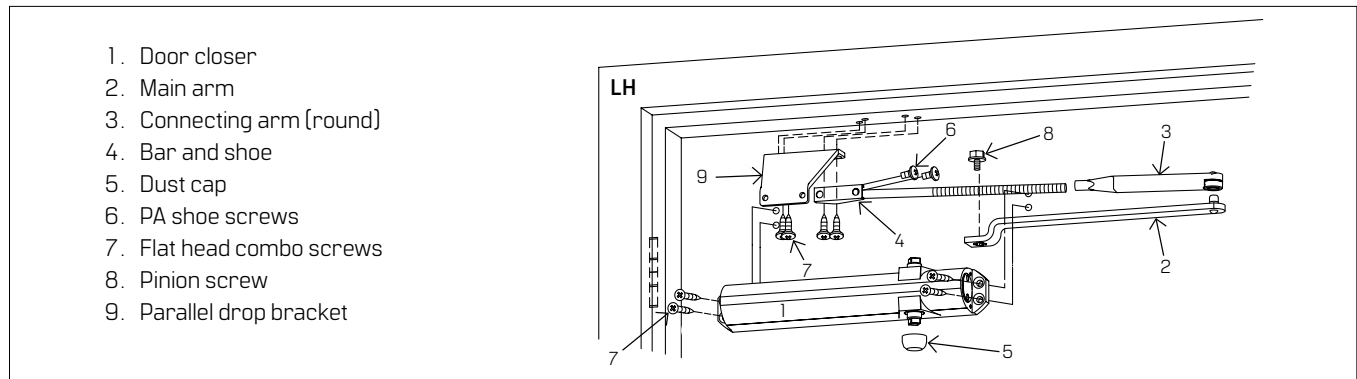
Fig. 1



2 Instructions - AR parallel mount

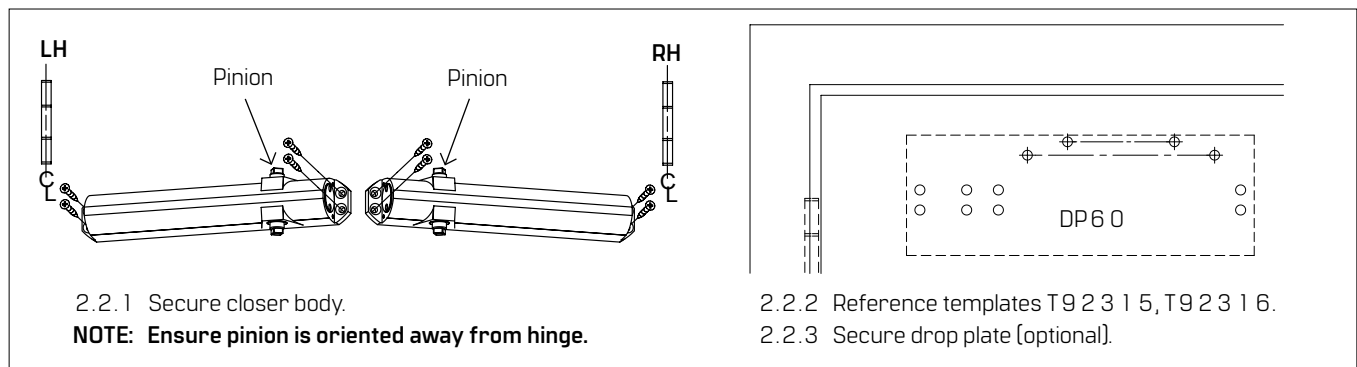
2.1 Closer system: Round arm (AR)

Fig.2



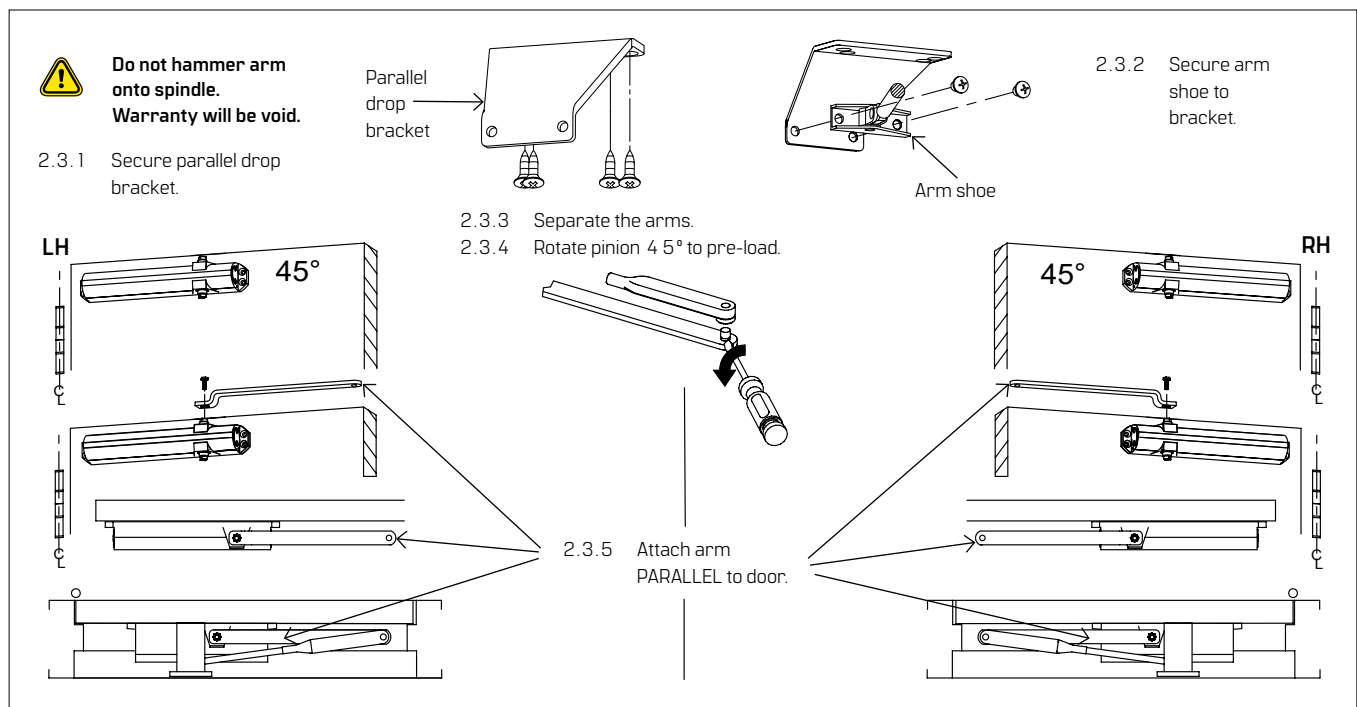
2.2 Installing drop plate and closer

Fig.3











2.3 Installing parallel drop bracket and arms (AR)

Fig.4



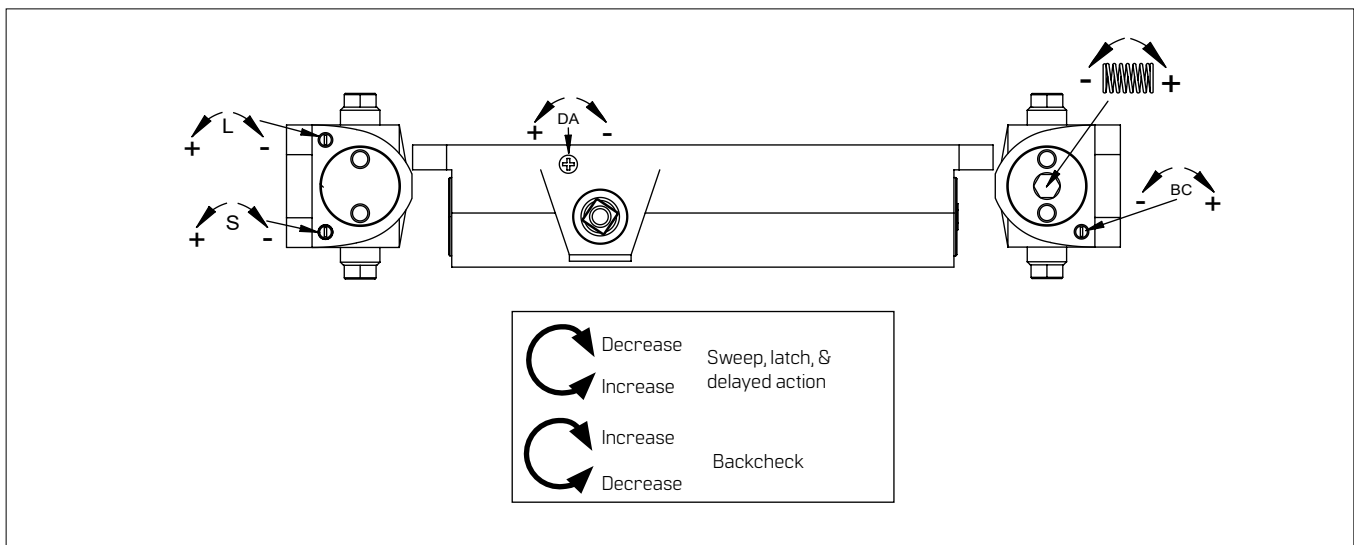
3 Adjustments

-  Confirm closer spring size prior to making any closing speed adjustments.
-  Do not back valve heads out beyond closer casting.
-  Check delayed action (DEL) function if supplied.
-  Maximum opening angle is 180°.
-  Door should close in 3 to 6 seconds from 90°.

-  Do not close valves completely.
-  Ball bearing hinges and pivots should always be used.
-  SL6014 meets 5lb interior barrier-free requirements. If necessary, adjust closer spring and test pull forces until proper forces are obtained.

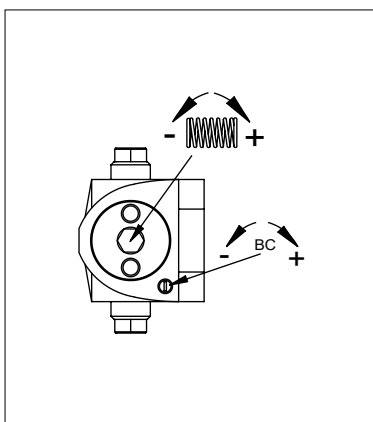
3.1 Adjust closing speeds: sweep, latch, backcheck, delayed action

Fig.5



3.2 Adjust spring force

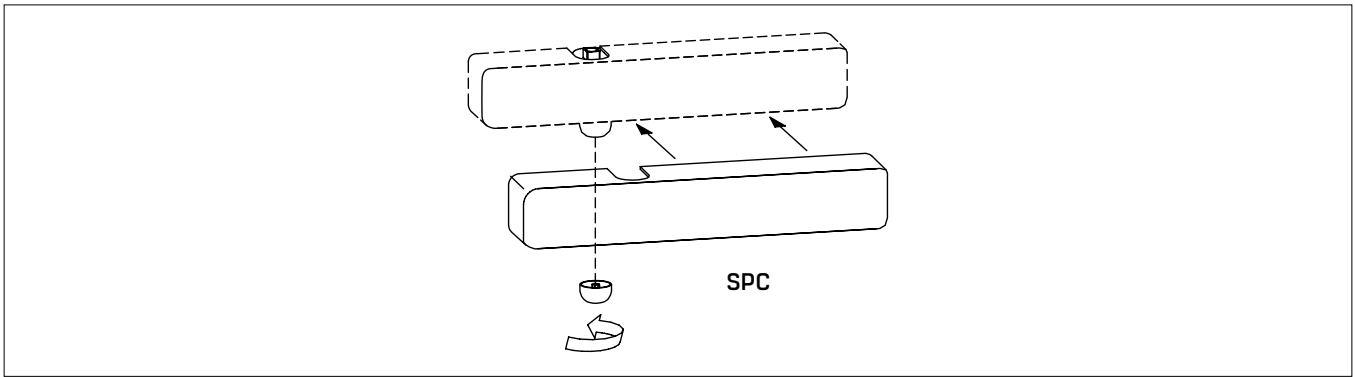
Fig.6



Regular and top jamb mount					
	Closer size	Max door weight (lbs)	Door width		Full turns
			Interior	Exterior	
SL6014	2	100	2'6"	----	-9
	3	125	3'	2'6"	-4
	4	150	3'6"	3'	0
Parallel mount					
SL6036	3	100	2'6"	----	-4
	4	125	3'	2'6"	0
	5	150	3'6"	3'	+4
	6	200	4'	3'6"	+8

4 Install covers

Fig.7





For online instructions visit:

<https://dhwsupport.dormakaba.com/hc/en-us>

For assistance or warranty information:

Call 1-800-392-5209 or visit

<https://dhwsupport.dormakaba.com/hc/en-us>