

Door Closer Models: HD8016 and HD8056 TH Track Installation [Pull Side Mount] With Back Plate BP80 Drilling Instructions

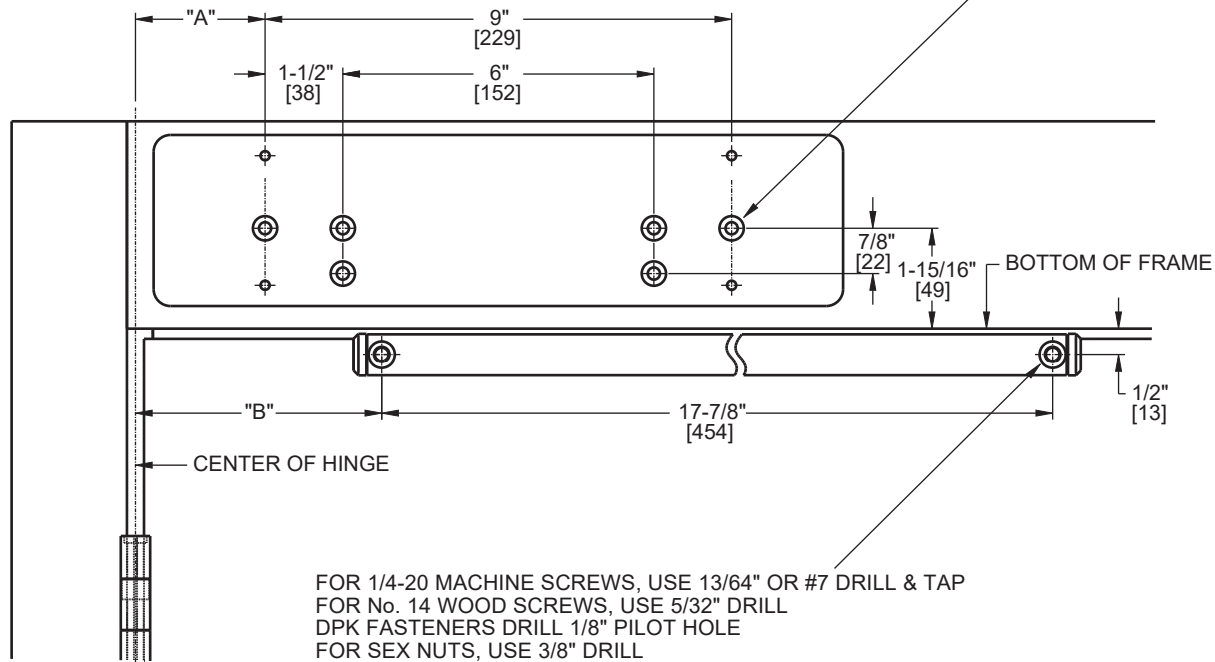
For online instructions, assistance or warranty information:
Call 1-800-392-5209 or visit <https://dhwsupport.dormakaba.com/hc/en-us>

NOTES:

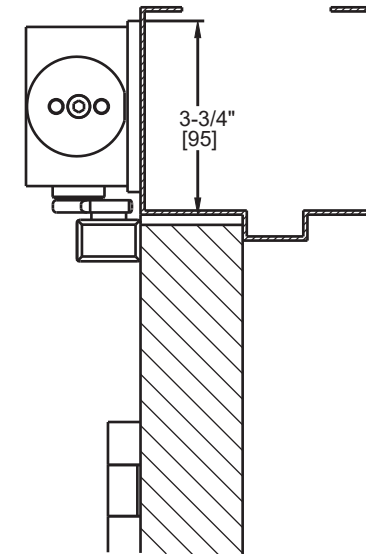
1. DRAWING IS NOT TO SCALE.
2. DIMENSIONS ARE IN INCHES / [MM].
3. RIGHT HAND DOOR SHOWN.
4. CAUTION: SEX NUTS ARE REQUIRED FOR ATTACHMENT OF COMPONENTS TO UNREINFORCED DOORS AND TO WOOD OR PLASTIC FACED COMPOSITE TYPE FIRE DOORS, UNLESS AN ALTERNATIVE METHOD IS IDENTIFIED IN THE INDIVIDUAL DOOR MANUFACTURER'S LISTINGS.
5. MAXIMUM OPENING 180° WITHOUT STOP BUMPER.
6. SEE CATALOG FOR HOLD OPEN RANGE INFORMATION.
7. DPK FASTENERS FOR STEEL DOOR & FRAME ONLY.

ANGLE OF HOLD OPEN	DIM."A" BACK PLATE	DIM."B" TRACK
85°	6-1/8" [156]	8-3/4" [222]
90°	6-1/8" [156]	8" [203]
110°	6-1/8" [156]	5-1/2" [140]
180°	2-1/2" [64]	4-3/4" [121]

FOR 12-24 MACHINE SCREWS, USE 11/64" OR #16 DRILL & TAP
FOR No. 12 WOOD SCREWS, USE 9/64" DRILL
DPK FASTENERS DRILL 1/8" PILOT HOLE
SIX (6) HOLES IN FRAME FOR PLATE (SHOWN)



FOR 1/4-20 MACHINE SCREWS, USE 13/64" OR #7 DRILL & TAP
FOR No. 14 WOOD SCREWS, USE 5/32" DRILL
DPK FASTENERS DRILL 1/8" PILOT HOLE
FOR SEX NUTS, USE 3/8" DRILL
TWO (2) HOLES IN DOOR FOR TRACK



Not to scale. Measurements are for reference only.
Not a drilling template.