

Door Closer Models: HD8016 and HD8056, AF80P, PHP Parallel Arm Installation [Push Side Mount] Drilling Instructions

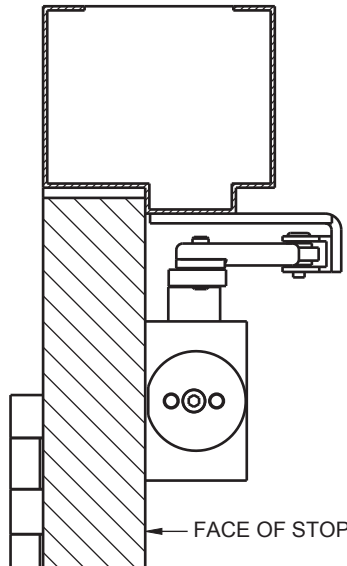
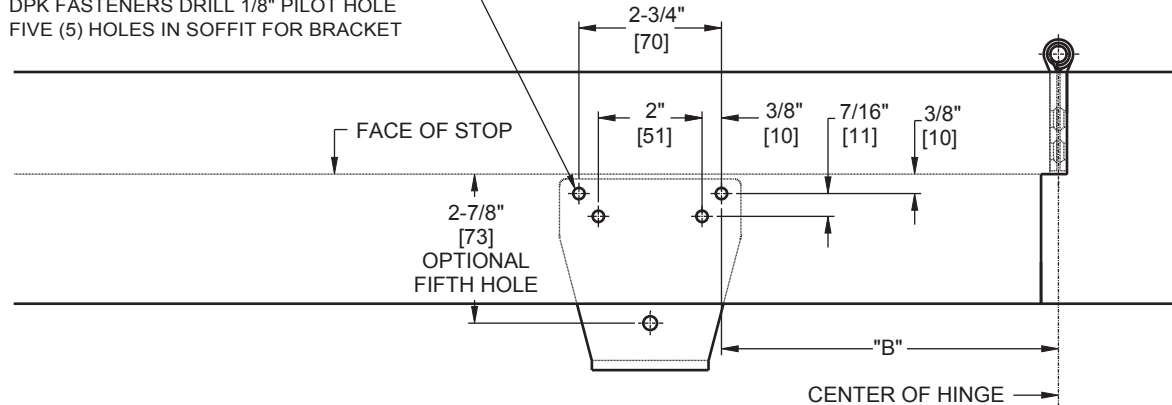
For online instructions, assistance or warranty information:
Call 1-800-392-5209 or visit <https://dhwsupport.dormakaba.com/hc/en-us>

ANGLE OF MAX OPENING	DIM."A" CLOSER	DIM."B" ARM PLATE
100°	12" [305]	10" [254]
180°	8-1/2" [216]	6-1/2" [165]

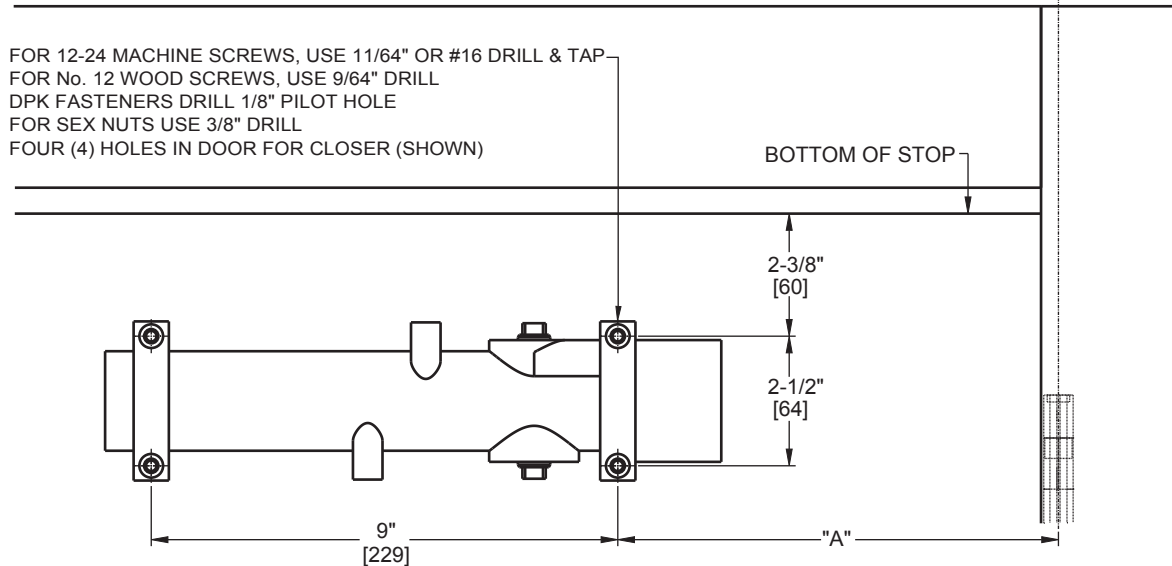
NOTES:

- 1) DRAWING IS NOT TO SCALE.
2. RIGHT HAND DOOR SHOWN.
3. DIMENSIONS ARE IN INCHES / [MM].
4. CAUTION: SEX NUTS ARE REQUIRED FOR ATTACHMENT OF COMPONENTS TO UNREINFORCED DOORS AND TO WOOD OR PLASTIC FACED COMPOSITE TYPE FIRE DOORS, UNLESS AN ALTERNATIVE METHOD IS IDENTIFIED IN THE INDIVIDUAL DOOR MANUFACTURER'S LISTINGS.
5. MAXIMUM OPENING 180°.
6. SEE CATALOG FOR HOLD OPEN RANGE.
7. DPK FASTENERS FOR STEEL DOOR & FRAME ONLY.

FOR 1/4-20 MACHINE SCREWS, USE 13/64" OR #7 DRILL & TAP
FOR No. 14 WOOD SCREWS, USE 5/32" DRILL
DPK FASTENERS DRILL 1/8" PILOT HOLE
FIVE (5) HOLES IN SOFFIT FOR BRACKET



FOR 12-24 MACHINE SCREWS, USE 11/64" OR #16 DRILL & TAP
FOR No. 12 WOOD SCREWS, USE 9/64" DRILL
DPK FASTENERS DRILL 1/8" PILOT HOLE
FOR SEX NUTS USE 3/8" DRILL
FOUR (4) HOLES IN DOOR FOR CLOSER (SHOWN)



Not to scale. Measurements are for reference only.
Not a drilling template.