

Door Closer Models: HD8016 and HD8056 SISJH Top Jamb Installation [Push Side Mount] Spring Integra Cushion Arm Drilling Instructions

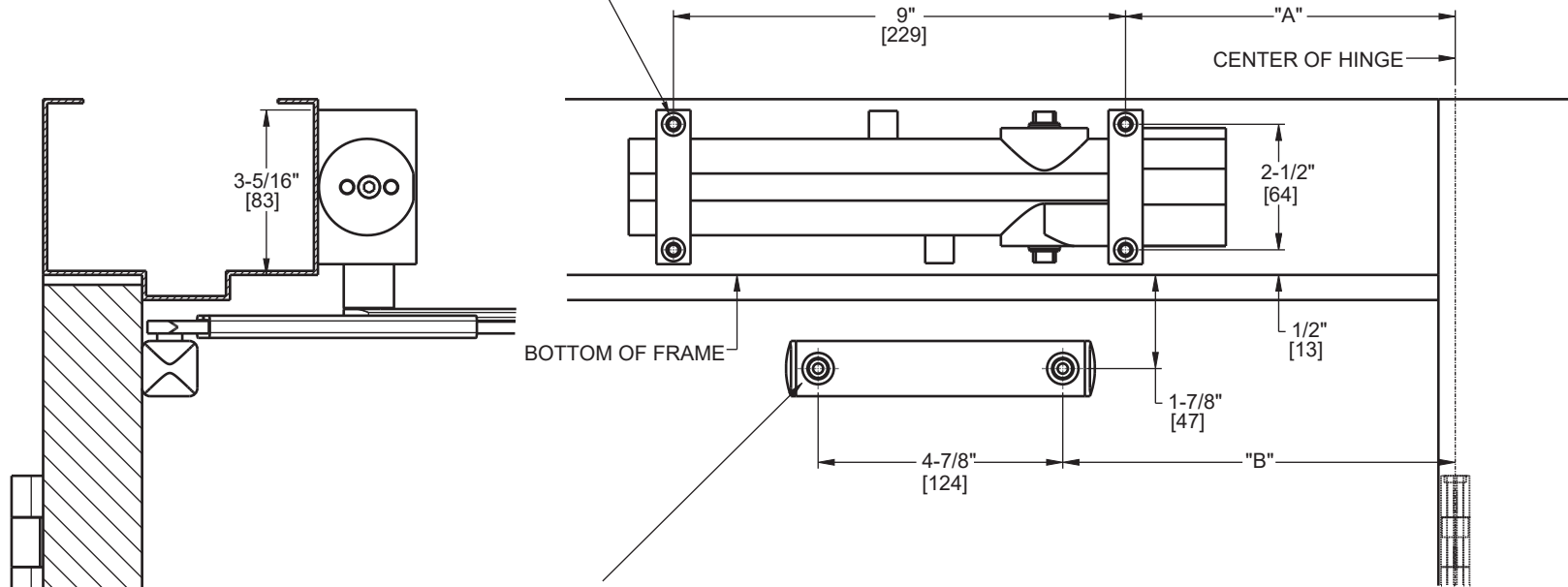
For online instructions, assistance or warranty information:
Call 1-800-392-5209 or visit <https://dhwsupport.dormakaba.com/hc/en-us>

NOTES:

- 1) DO NOT SCALE THIS DRAWING.
- 2) DIMENSIONS ARE IN INCHES / [MM].
- 3) RIGHT HAND DOOR IS SHOWN.
- 4) CAUTION: SEX NUTS ARE REQUIRED FOR ATTACHMENT OF COMPONENTS TO UNREINFORCED DOORS AND TO WOOD OR PLASTIC FACE COMPOSITE TYPE FIRE DOORS, UNLESS AN ALTERNATIVE METHOD IS IDENTIFIED IN THE INDIVIDUAL DOOR MANUFACTURER'S LISTINGS.
- 5) DPK FASTENERS FOR STEEL DOOR & FRAME ONLY.
- 6) SEE CATALOG FOR REVEAL INFORMATION.

ANGLE OF HOLD OPEN	ANGLE OF CUSHION	DIM."A" CLOSER	DIM."B" ARM SHOE
85°	85°-87°	9-1/2" [241]	10-3/4" [273]
90°	90°-92°	9" [229]	10-1/4" [260]
100°	100°-102°	8-1/8" [206]	9-3/8" [238]
110°	110°-112°	7-1/2" [191]	8-3/4" [222]

FOR 12-24 MACHINE SCREWS, USE 11/64" OR #16 DRILL & TAP
FOR No. 12 WOOD SCREWS, USE 9/64" DRILL
FOR DPK FASTENERS, USE 1/8" DRILL
FOUR (4) HOLES IN FRAME ARE FOR CLOSER (SHOWN)



FOR 1/4-20 MACHINE SCREWS, USE 13/64" OR #7 DRILL & TAP
FOR NO. 14 WOOD SCREWS, USE 5/32" DRILL
FOR DPK FASTENERS, USE 1/8" DRILL
FOR SEX NUTS, USE 3/8" DRILL
TWO (2) HOLES IN DOOR ARE FOR ARM SHOE (SHOWN)

Not to scale. Measurements are for reference only.
Not a drilling template.