

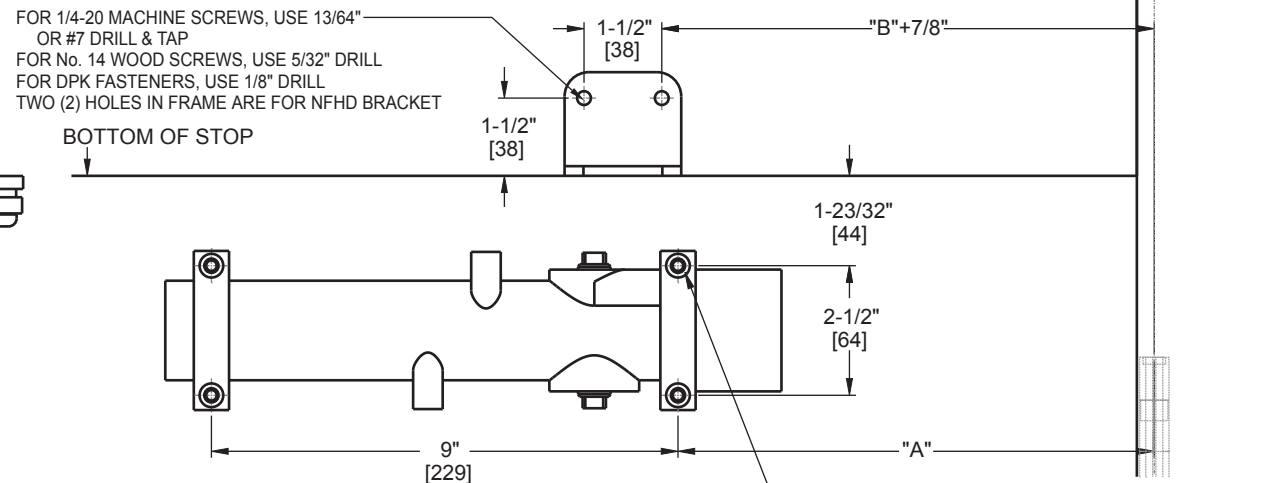
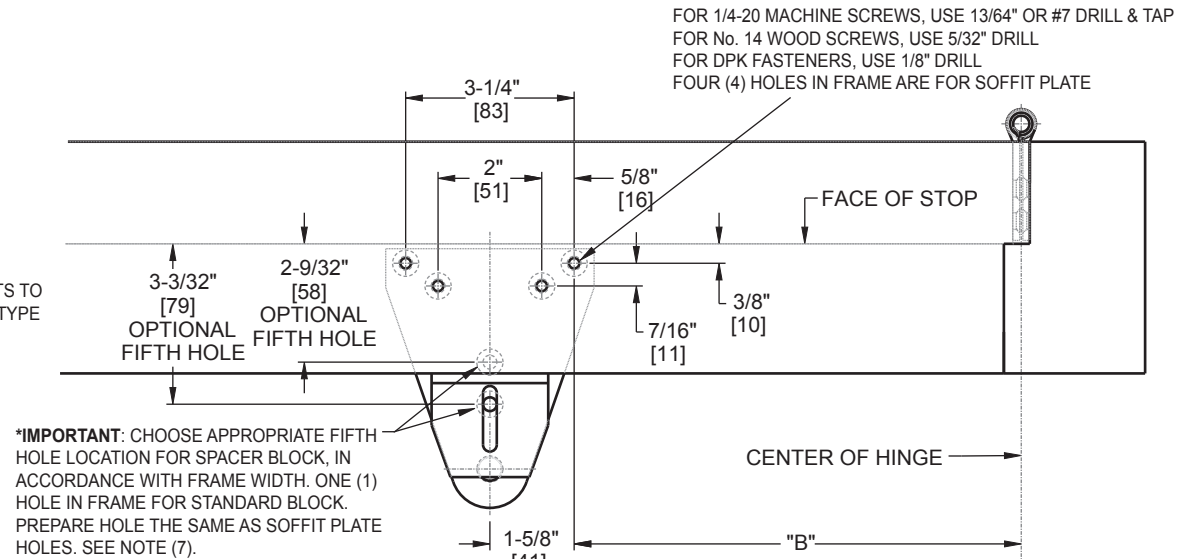
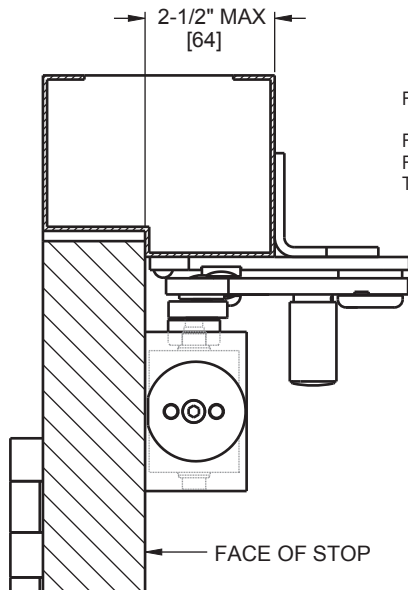
Door Closer Models: HD8016 and HD8056 Spring Door Saver Thumb Hold Arm Installation [S-DST] [Push Side] Drilling Instructions

For online instructions, assistance or warranty information:
Call 1-800-392-5209 or visit <https://dhwsupport.dormakaba.com/hc/en-us>

ANGLE OF HOLD OPEN	ANGLE OF CUSHION	DIM."A" CLOSER	DIM."B" SOFFIT
85°	85° - 95°	9-15/16" [252]	9-3/8" [238]
90°	90° - 101°	9-3/16" [233]	8-5/8" [219]
100°	100° - 114°	7-15/16" [202]	7-3/8" [187]
110°	110° - 126°	6-15/16" [176]	6-3/8" [162]

NOTES:

- 1) DRAWING IS NOT TO SCALE.
- 2) DIMENSIONS ARE IN INCHES / [MM].
- 3) RIGHT HAND DOOR IS SHOWN.
- 4) CAUTION: SEX NUTS ARE REQUIRED FOR ATTACHMENT OF COMPONENTS TO UNREINFORCED DOORS AND TO WOOD OR PLASTIC FACE COMPOSITE TYPE FIRE DOORS, UNLESS AN ALTERNATIVE METHOD IS IDENTIFIED IN THE INDIVIDUAL DOOR MANUFACTURER'S LISTINGS.
- 5) BSHD SPACER, REVEAL 1-1/8" MIN.
- 6) NFHD BRACKET REINFORCEMENT REVEAL DEPTH 1" TO 3-5/8".
- 7) FIFTH HOLE AND SPACER BLOCK REINFORCEMENT REVEAL DEPTH 2-5/8" MIN.
- 8) MINIMUM DOOR WIDTH IS 26".



FOR 12-24 MACHINE SCREWS, USE 11/64" OR #16 DRILL & TAP
FOR No. 12 WOOD SCREWS, USE 9/64" DRILL
FOR DPK FASTENERS, USE 1/8" DRILL
FOR SEX NUTS, USE 3/8" DRILL
FOUR (4) HOLES IN DOOR ARE FOR CLOSER (SHOWN)

Not to scale. Measurements are for reference only.
Not a drilling template.