

Door Closer Models: HD8016 and HD8056 Spring Door Saver Arm Installation [S-DS] [Push Side] Drilling Instructions

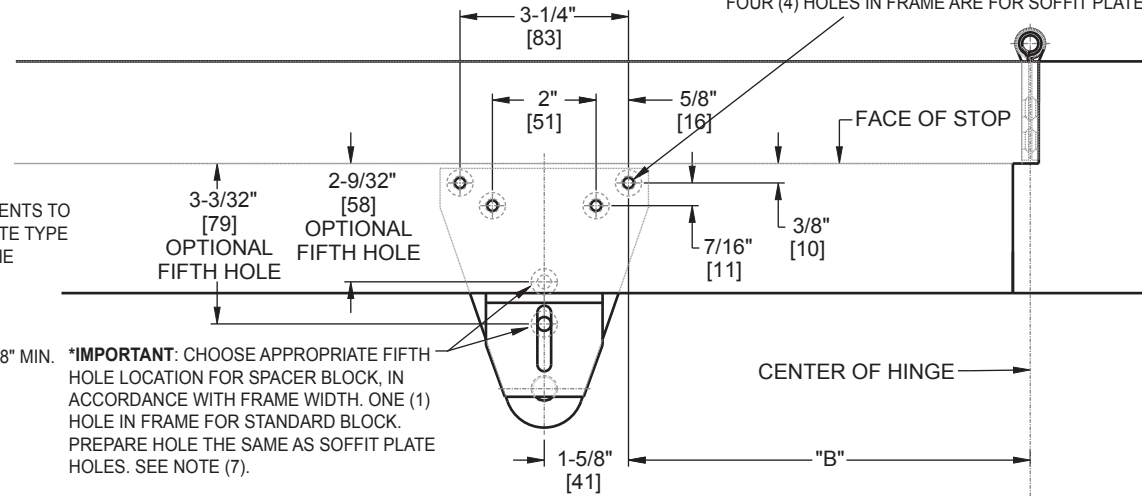
For online instructions, assistance or warranty information:
Call 1-800-392-5209 or visit <https://dhwsupport.dormakaba.com/hc/en-us>

ANGLE OF MAX OPENING	DIM."A" CLOSER	DIM."B" SOFFIT
85°	11-7/16" [291]	10-7/8" [276]
90°	10-11/16" [271]	10-1/8" [257]
100°	9-3/8" [238]	8-13/16" [224]
110°	8-5/16" [211]	7-3/4" [197]

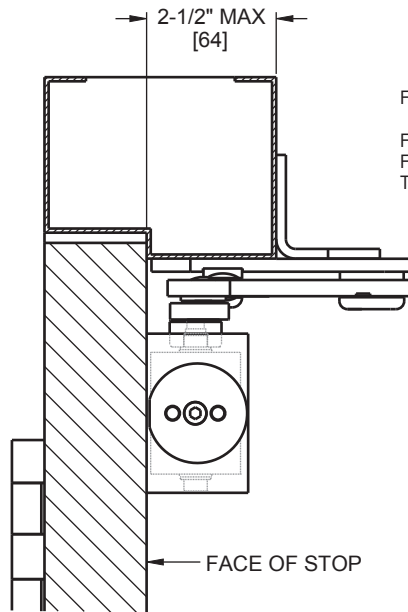
NOTES:

- 1) DRAWING IS NOT TO SCALE.
- 2) DIMENSIONS ARE IN INCHES / [MM].
- 3) RIGHT HAND DOOR IS SHOWN.
- 4) CAUTION: SEX NUTS ARE REQUIRED FOR ATTACHMENT OF COMPONENTS TO UNREINFORCED DOORS AND TO WOOD OR PLASTIC FACE COMPOSITE TYPE FIRE DOORS, UNLESS AN ALTERNATIVE METHOD IS IDENTIFIED IN THE INDIVIDUAL DOOR MANUFACTURER'S LISTINGS.
- 5) BSHD SPACER, REVEAL 1-1/8" MIN.
- 6) NFHD BRACKET REINFORCEMENT REVEAL DEPTH 1" TO 3-5/8".
- 7) FIFTH HOLE & SPACER BLOCK REINFORCEMENT REVEAL DEPTH 2-5/8" MIN.
- 8) MINIMUM DOOR WIDTH IS 26".

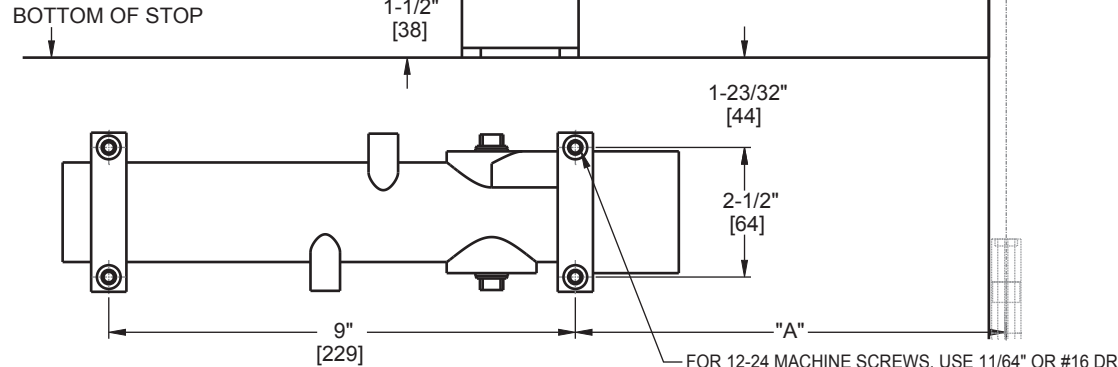
FOR 1/4-20 MACHINE SCREWS, USE 13/64" OR #7 DRILL & TAP
FOR No. 14 WOOD SCREWS, USE 5/32" DRILL
FOR DPK FASTENERS, USE 1/8" DRILL
FOUR (4) HOLES IN FRAME ARE FOR SOFFIT PLATE



***IMPORTANT:** CHOOSE APPROPRIATE FIFTH HOLE LOCATION FOR SPACER BLOCK, IN ACCORDANCE WITH FRAME WIDTH. ONE (1) HOLE IN FRAME FOR STANDARD BLOCK. PREPARE HOLE THE SAME AS SOFFIT PLATE HOLES. SEE NOTE (7).



FOR 1/4-20 MACHINE SCREWS, USE 13/64" OR #7 DRILL & TAP
FOR No. 14 WOOD SCREWS, USE 5/32" DRILL
FOR DPK FASTENERS, USE 1/8" DRILL
TWO (2) HOLES IN FRAME ARE FOR NFHD BRACKET



FOR 12-24 MACHINE SCREWS, USE 11/64" OR #16 DRILL & TAP
FOR No. 12 WOOD SCREWS, USE 9/64" DRILL
FOR DPK FASTENERS, USE 1/8" DRILL
FOR SEX NUTS, USE 3/8" DRILL
FOUR (4) HOLES IN DOOR ARE FOR CLOSER (SHOWN)

Not to scale. Measurements are for reference only.
Not a drilling template.