

Door Closer Models: HD8016, HD8056 SPA, SPAT with Plate DP80 Parallel Arm Installation [Push Side Mount] for Use with Standard Spacer Block or Optional NFHD Bracket Drilling Instructions

For online instructions, assistance or warranty information:
Call 1-800-392-5209 or visit <https://dhwsupport.dormakaba.com/hc/en-us>

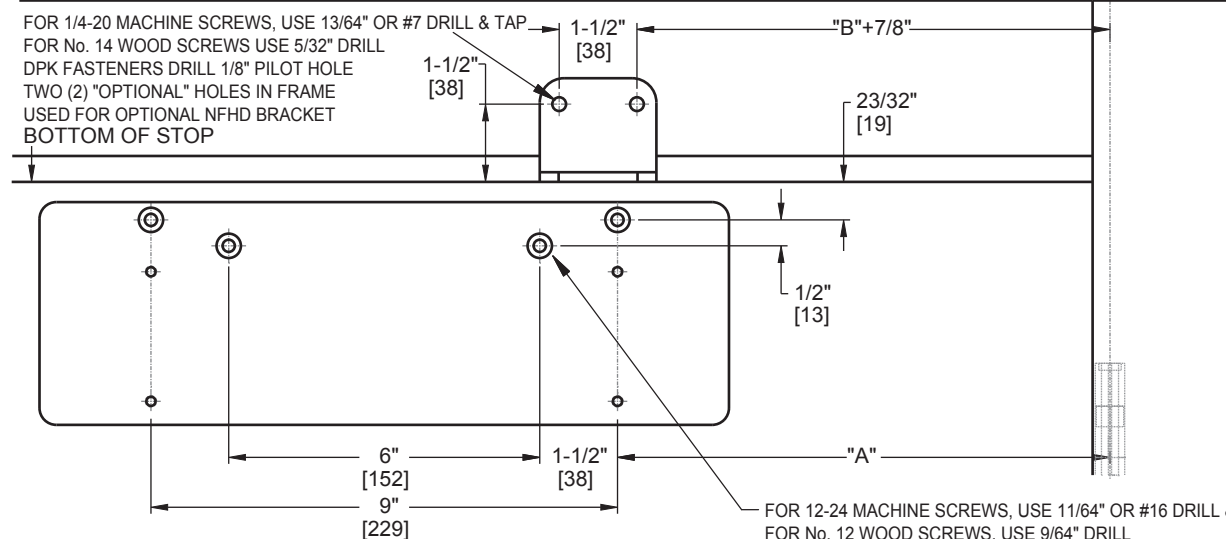
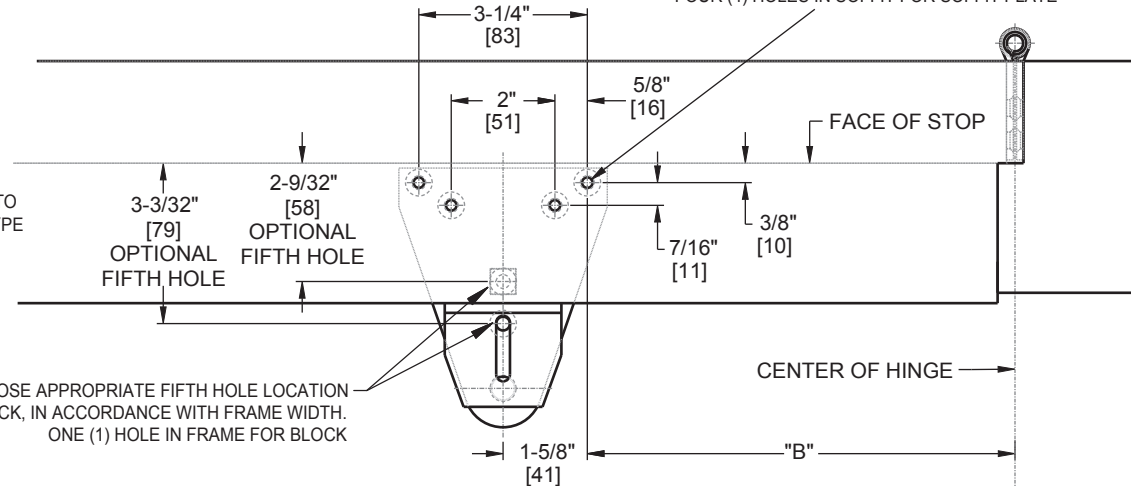
ANGLE OF MAX OPENING	DIM."A" DROP PLATE	DIM."B" SOFFIT
100°	11-7/16" [291]	10-1/8" [257]
180°	7-5/8" [194]	6-5/16" [160]

NOTES:

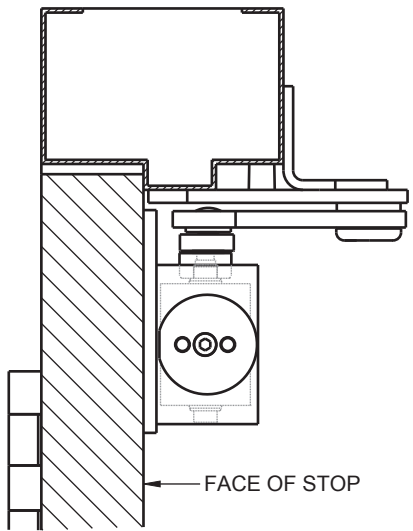
1. DRAWING IS NOT TO SCALE.
2. DIMENSIONS ARE IN INCHES/(MM).
3. RIGHT HAND DOOR SHOWN.
4. CAUTION: SEX NUTS ARE REQUIRED FOR ATTACHMENT OF COMPONENTS TO UNREINFORCED DOORS AND TO WOOD OR PLASTIC FACED COMPOSITE TYPE FIRE DOORS, UNLESS AN ALTERNATIVE METHOD IS IDENTIFIED IN THE INDIVIDUAL DOOR MANUFACTURER'S LISTINGS.
5. FOR FRAME WIDTHS 4-1/2" AND LESS USE OPTIONAL NFHD BRACKET.
6. MINIMUM DOOR WIDTH 26".
7. DPK FASTENERS FOR STEEL DOOR & FRAME ONLY.

***IMPORTANT:** CHOOSE APPROPRIATE FIFTH HOLE LOCATION FOR SPACER BLOCK, IN ACCORDANCE WITH FRAME WIDTH. ONE (1) HOLE IN FRAME FOR BLOCK

FOR 1/4-20 MACHINE SCREWS, USE 13/64" OR #7 DRILL & TAP
FOR No. 14 WOOD SCREWS USE 5/32" DRILL
DPK FASTENERS DRILL 1/8" PILOT HOLE
FOUR (4) HOLES IN SOFFIT FOR SOFFIT PLATE



FOR 12-24 MACHINE SCREWS, USE 11/64" OR #16 DRILL & TAP
FOR No. 12 WOOD SCREWS, USE 9/64" DRILL
DPK FASTENERS DRILL 1/8" PILOT HOLE
FOR SEX NUTS USE 3/8" DRILL
FOUR (4) HOLES IN DOOR FOR DROP PLATE



Not to scale. Measurements are for reference only.
Not a drilling template.