

# Door Closer Models: HD8016, HD8056 SPA, SPAT with Plate BP80 Parallel Arm Installation [Push Side Mount] with Standard Spacer Block or Optional NFHD Bracket Drilling Instructions

For online instructions, assistance or warranty information:  
Call 1-800-392-5209 or visit <https://dhwsupport.dormakaba.com/hc/en-us>

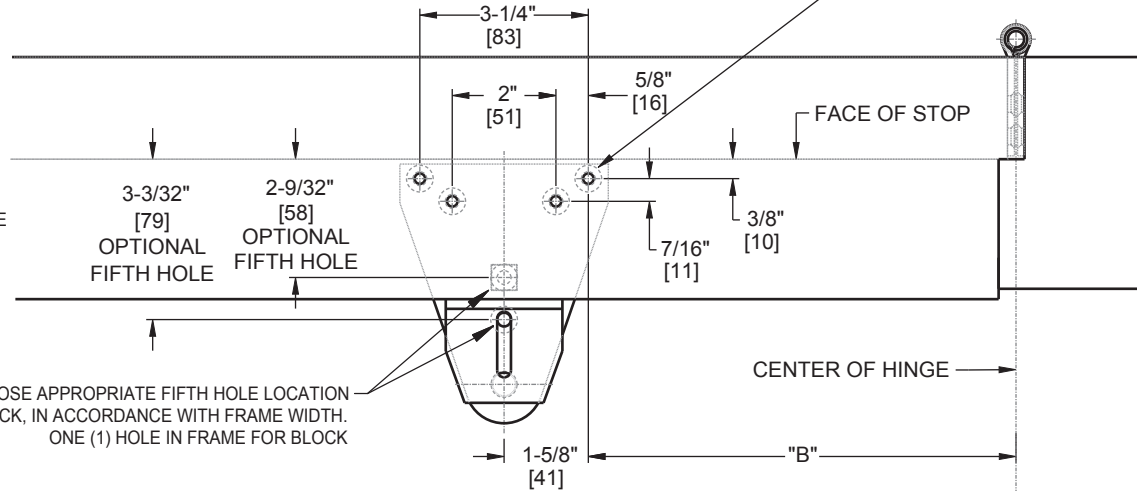
| ANGLE OF MAX OPENING | DIM."A" BACKPLATE | DIM."B" SOFFIT   |
|----------------------|-------------------|------------------|
| 100°                 | 11-7/16"<br>[291] | 10-1/8"<br>[257] |
| 180°                 | 7-5/8"<br>[194]   | 6-5/16"<br>[160] |

**NOTES:**

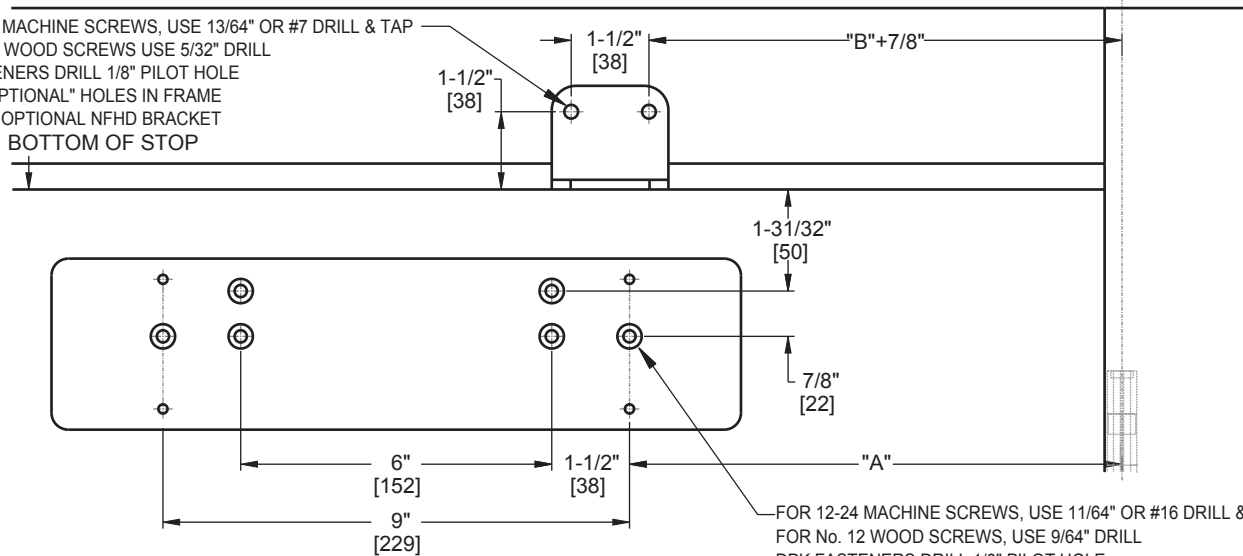
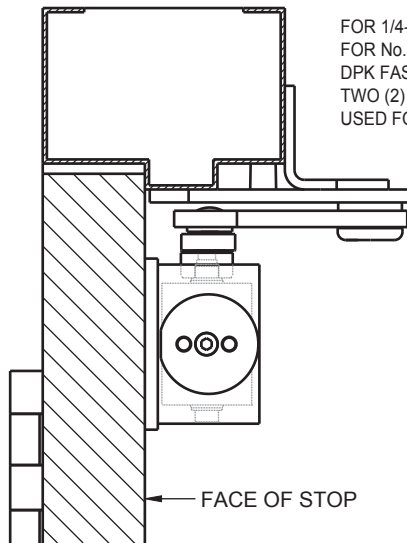
1. DRAWING IS NOT TO SCALE.
2. DIMENSIONS ARE IN INCHES/(MM).
3. RIGHT HAND DOOR SHOWN.
4. CAUTION: SEX NUTS ARE REQUIRED FOR ATTACHMENT OF COMPONENTS TO UNREINFORCED DOORS AND TO WOOD OR PLASTIC FACED COMPOSITE TYPE FIRE DOORS, UNLESS AN ALTERNATIVE METHOD IS IDENTIFIED IN THE INDIVIDUAL DOOR MANUFACTURER'S LISTINGS.
5. FOR FRAME WIDTHS 4-1/2" AND LESS USE OPTIONAL NFHD BRACKET.
6. MINIMUM DOOR WIDTH 26".
7. DPK FASTENERS FOR STEEL DOOR & FRAME ONLY.

**\*IMPORTANT:** CHOOSE APPROPRIATE FIFTH HOLE LOCATION FOR SPACER BLOCK, IN ACCORDANCE WITH FRAME WIDTH. ONE (1) HOLE IN FRAME FOR BLOCK

FOR 1/4-20 MACHINE SCREWS, USE 13/64" OR #7 DRILL & TAP  
FOR No. 14 WOOD SCREWS USE 5/32" DRILL  
DPK FASTENERS DRILL 1/8" PILOT HOLE  
FOUR (4) HOLES IN SOFFIT FOR SOFFIT PLATE



FOR 1/4-20 MACHINE SCREWS, USE 13/64" OR #7 DRILL & TAP  
FOR No. 14 WOOD SCREWS USE 5/32" DRILL  
DPK FASTENERS DRILL 1/8" PILOT HOLE  
TWO (2) "OPTIONAL" HOLES IN FRAME USED FOR OPTIONAL NFHD BRACKET



FOR 12-24 MACHINE SCREWS, USE 11/64" OR #16 DRILL & TAP  
FOR No. 12 WOOD SCREWS, USE 9/64" DRILL  
DPK FASTENERS DRILL 1/8" PILOT HOLE  
FOR SEX NUTS USE 3/8" DRILL  
SIX (6) HOLES IN DOOR FOR BACKPLATE

Not to scale. Measurements are for reference only.  
Not a drilling template.