

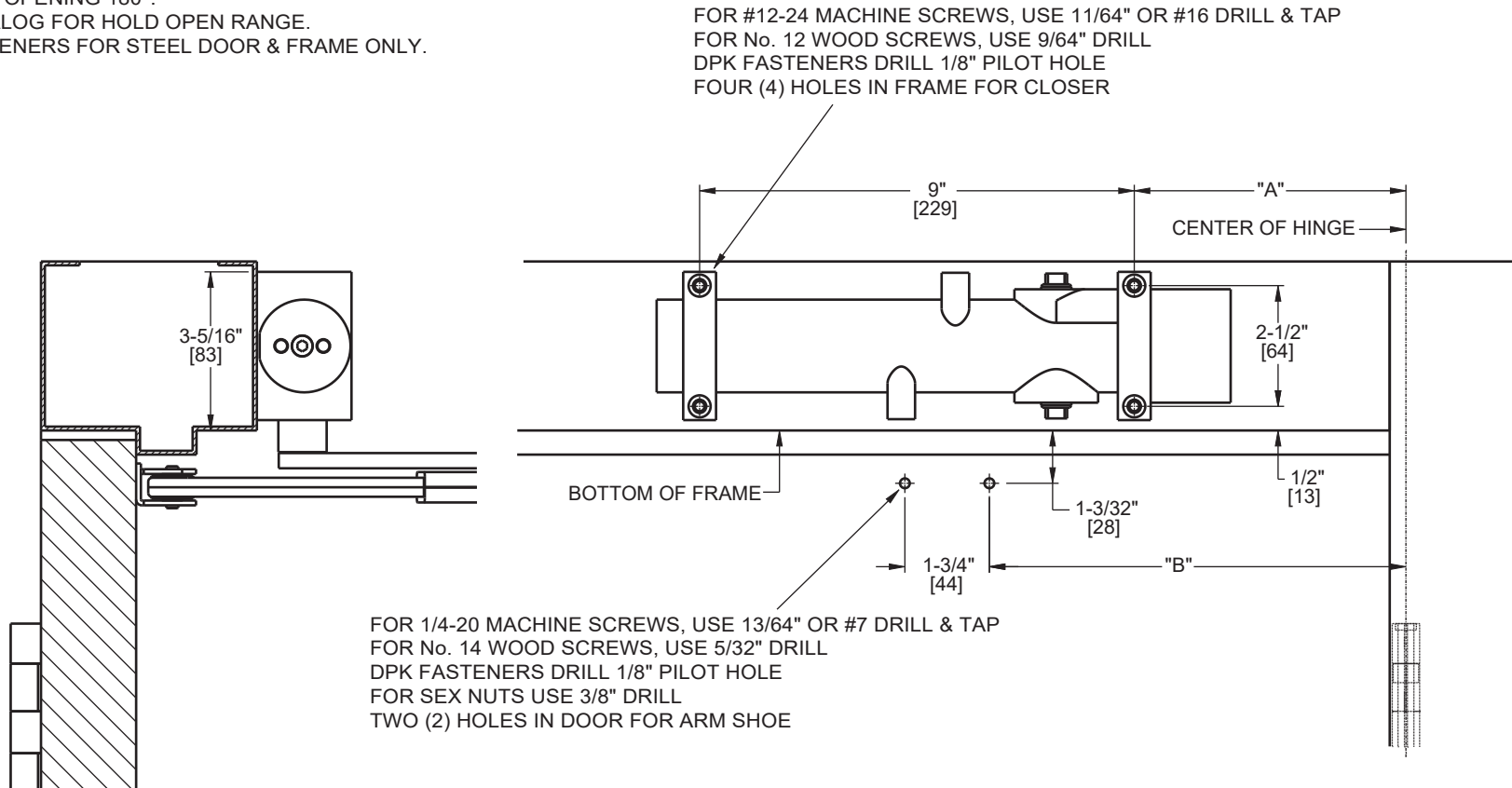
Door Closer Models: HD8016 and HD8056 AF80J, PH, PHP Top Jamb Installation [Push Side Mount] Drilling Instructions

For online instructions, assistance or warranty information:
Call 1-800-392-5209 or visit <https://dhwsupport.dormakaba.com/hc/en-us>

NOTES:

1. DO NOT SCALE DRAWING.
2. RIGHT HAND DOOR SHOWN.
3. DIMENSIONS ARE IN INCHES/[MM].
4. CAUTION: SEX NUTS ARE REQUIRED FOR ATTACHMENT OF COMPONENTS TO UNREINFORCED DOORS AND TO WOOD OR PLASTIC FACED COMPOSITE TYPE FIRE DOORS, UNLESS AN ALTERNATIVE METHOD IS IDENTIFIED IN THE INDIVIDUAL DOOR MANUFACTURER'S LISTINGS.
5. SEE CATALOG FOR REVEAL INFORMATION.
6. MAXIMUM OPENING 180°.
7. SEE CATALOG FOR HOLD OPEN RANGE.
8. DPK FASTENERS FOR STEEL DOOR & FRAME ONLY.

ANGLE OF MAX OPENING	DIM."A" CLOSER	DIM."B" ARM SHOE
100°	9-5/8" [244]	12-5/8" [321]
180°	5-5/8" [143]	8-5/8" [219]



Not to scale. Measurements are for reference only.
Not a drilling template.