

Door Closer Models: HD8016 and HD8056 TDEH Double Egress Track Installation [Pull Side Mount] Drilling Instructions

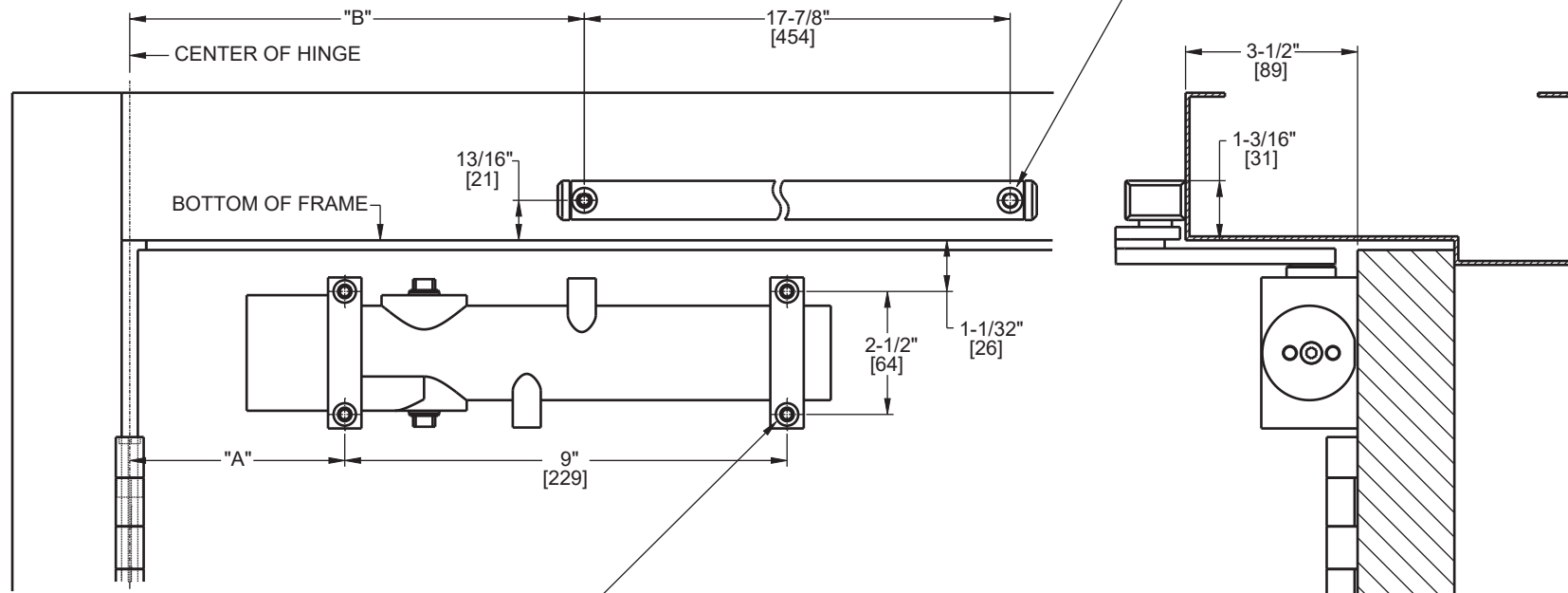
For online instructions, assistance or warranty information:
Call 1-800-392-5209 or visit <https://dhwsupport.dormakaba.com/hc/en-us>

NOTES:

- 1) DO NOT SCALE THIS DRAWING.
- 2) DIMENSIONS ARE IN INCHES / [MM].
- 3) RIGHT HAND DOOR IS SHOWN.
- 4) CAUTION: SEX NUTS ARE REQUIRED FOR ATTACHMENT OF COMPONENTS TO UNREINFORCED DOORS AND TO WOOD OR PLASTIC FACE COMPOSITE TYPE FIRE DOORS, UNLESS AN ALTERNATIVE METHOD IS IDENTIFIED IN THE INDIVIDUAL DOOR MANUFACTURER'S LISTINGS.
- 5) TEMPLATE FOR 4-1/2" WIDE HINGES OR 3/4" OFFSET PIVOTS.
- 6) MINIMUM DOOR WIDTH 30".
- 7) WHEN OPENING DOOR TO 90° A MINIMUM OF 3-3/4" OF CLEARANCE IS REQUIRED BETWEEN DOOR FACE AND WALL.
- 8) MAXIMUM OPENING 125°.
- 9) SEE CATALOG FOR REVEAL AND HOLD OPEN RANGE INFORMATION.
- 10) DPK FASTENERS FOR STEEL DOOR & FRAME ONLY.

ANGLE OF HOLD OPEN	DIM."A" CLOSER	DIM."B" TRACK
30°-110°	4-3/8" [111]	9-1/4" [235]

FOR 1/4-20 MACHINE SCREWS, USE 13/64" OR #7 DRILL & TAP
FOR No. 14 WOOD SCREWS, USE 5/32" DRILL
FOR DPK FASTENERS, USE 1/8" PILOT HOLE
TWO (2) HOLES IN FRAME FOR TRACK



FOR 12-24 MACHINE SCREWS, USE 11/64" OR #16 DRILL AND TAP
FOR No. 12 WOOD SCREWS, USE 9/64" DRILL
FOR DPK FASTENERS, USE 1/8" DRILL
FOR SEX NUTS, USE 3/8" DRILL
FOUR (4) HOLES IN DOOR ARE FOR CLOSER (SHOWN)

Not to scale. Measurements are for reference only.
Not a drilling template.