

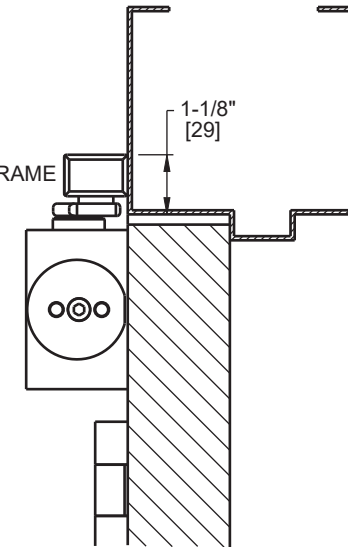
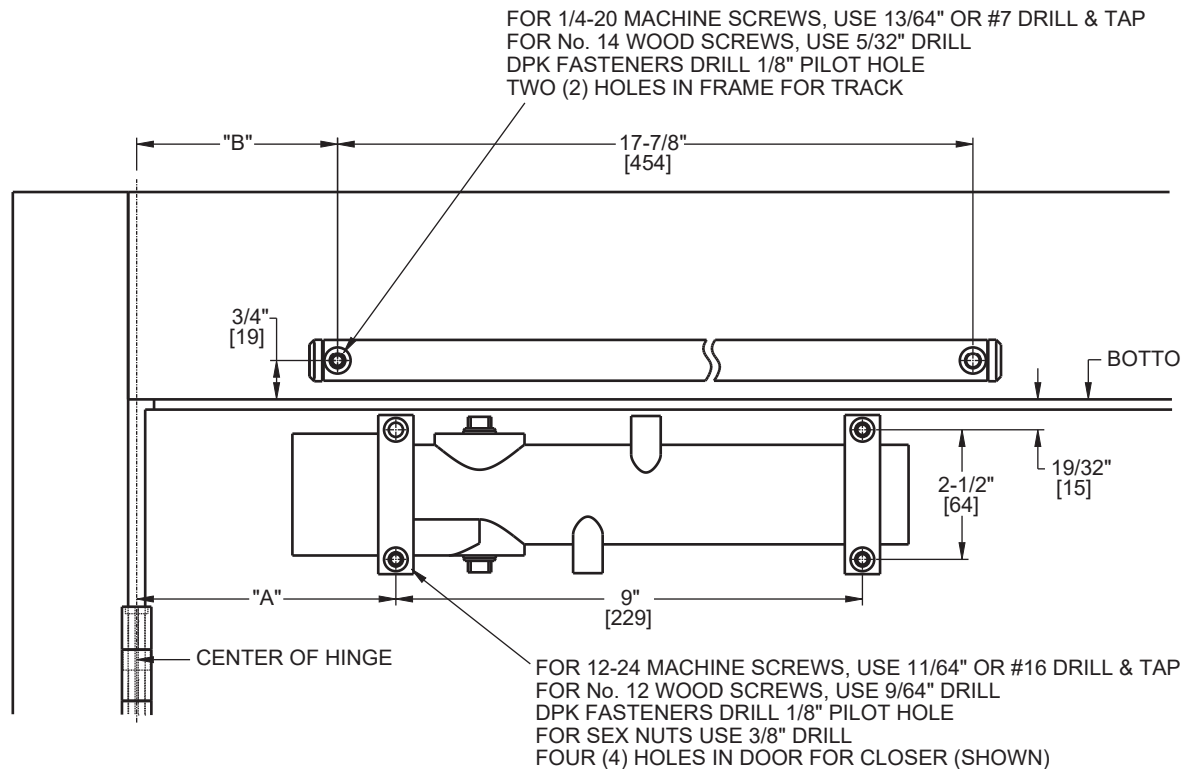
# Door Closer Models: HD8016 and HD8056 JTH Jamb Track Installation [Pull Side Mount] Drilling Instructions

For online instructions, assistance or warranty information:  
Call 1-800-392-5209 or visit <https://dhwsupport.dormakaba.com/hc/en-us>

**NOTES:**

1. DRAWING IS NOT TO SCALE.
2. DIMENSIONS ARE IN INCHES / [MM].
3. RIGHT HAND DOOR SHOWN.
4. CAUTION: SEX NUTS ARE REQUIRED FOR ATTACHMENT OF COMPONENTS TO UNREINFORCED DOORS AND TO WOOD OR PLASTIC FACED COMPOSITE TYPE FIRE DOORS, UNLESS AN ALTERNATIVE METHOD IS IDENTIFIED IN THE INDIVIDUAL DOOR MANUFACTURER'S LISTINGS.
5. MAXIMUM OPENING 160°. (ALLOW CLEARANCE FOR CLOSER COVER)
6. SEE CATALOG FOR HOLD OPEN RANGE INFORMATION.
7. DPK FASTENERS FOR STEEL DOOR & FRAME ONLY.

ANGLE OF HOLD OPEN	DIM. "A" CLOSER	DIM. "B" TRACK
85°	6-1/8" [156]	8-1/8" [206]
90°	6-1/8" [156]	7-1/2" [191]
110°	6-1/8" [156]	5-1/4" [133]
160°	5" [127]	3-7/8" [98]



Not to scale. Measurements are for reference only.  
Not a drilling template.