

# Door Closer Models: HD8016 and HD8056 PTH Parallel Track Installation [Push Side Mount] Drilling Instructions

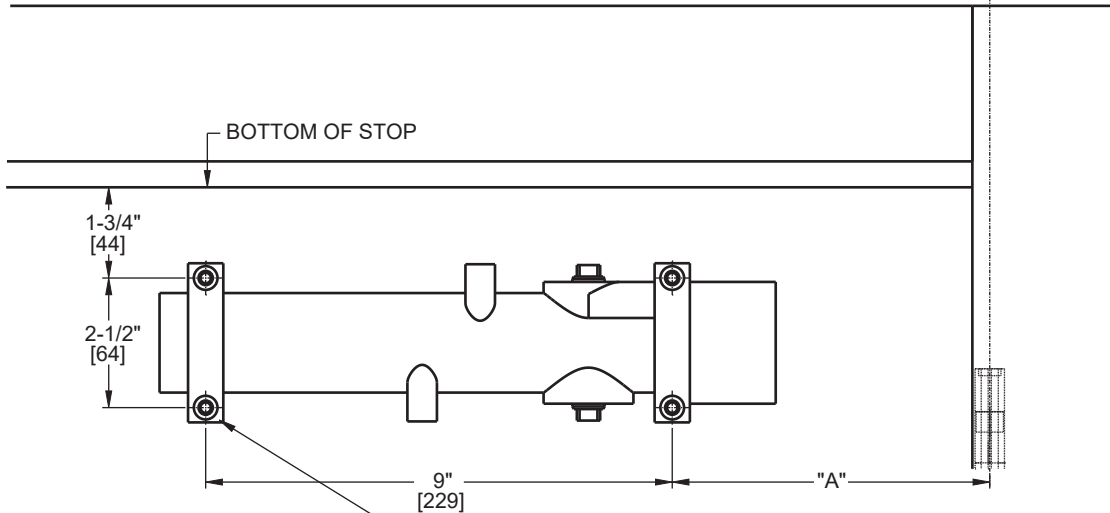
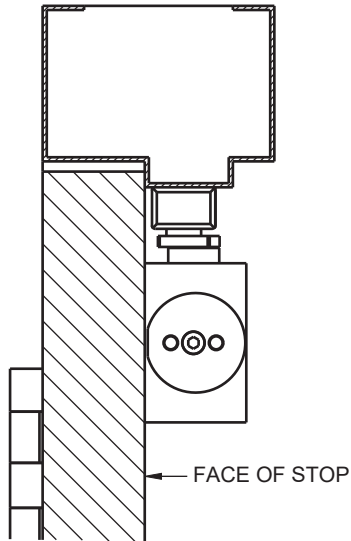
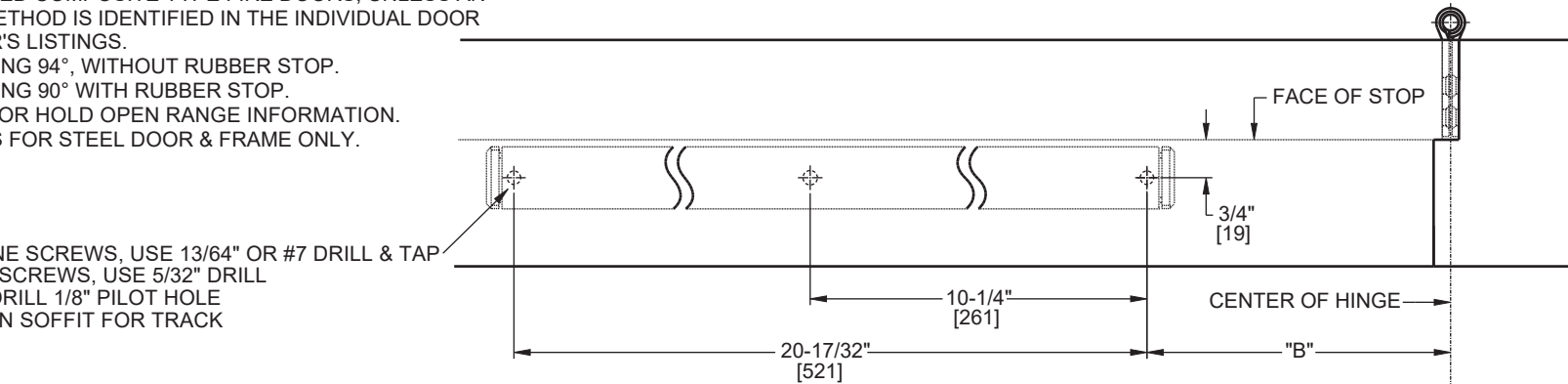
For online instructions, assistance or warranty information:  
Call 1-800-392-5209 or visit <https://dhwsupport.dormakaba.com/hc/en-us>

**NOTES:**

1. DO NOT SCALE DRAWING.
2. DIMENSIONS ARE IN INCHES / [MM].
3. RIGHT HAND DOOR SHOWN.
4. CAUTION: SEX NUTS ARE REQUIRED FOR ATTACHMENT OF COMPONENTS TO UNREINFORCED DOORS AND TO WOOD OR PLASTIC FACED COMPOSITE TYPE FIRE DOORS, UNLESS AN ALTERNATIVE METHOD IS IDENTIFIED IN THE INDIVIDUAL DOOR MANUFACTURER'S LISTINGS.
5. MAXIMUM OPENING 94°, WITHOUT RUBBER STOP.
6. MAXIMUM OPENING 90° WITH RUBBER STOP.
7. SEE CATALOG FOR HOLD OPEN RANGE INFORMATION.
8. DPK FASTENERS FOR STEEL DOOR & FRAME ONLY.

FOR 1/4-20 MACHINE SCREWS, USE 13/64" OR #7 DRILL & TAP  
FOR No. 14 WOOD SCREWS, USE 5/32" DRILL  
DPK FASTENERS DRILL 1/8" PILOT HOLE  
THREE (3) HOLES IN SOFFIT FOR TRACK

ANGLE OF HOLD OPEN	DIM."A" CLOSER	DIM."B" TRACK
85°	6-1/8" [156]	10-3/4" [273]
90°	6-1/8" [156]	9" [229]



FOR 12-24 MACHINE SCREWS, USE 11/64" OR #16 DRILL & TAP  
FOR No. 12 WOOD SCREWS, USE 9/64" DRILL  
DPK FASTENERS DRILL 1/8" PILOT HOLE  
FOR SEX NUTS USE 3/8" DRILL  
FOUR (4) HOLES IN DOOR FOR CLOSER (SHOWN)

Not to scale. Measurements are for reference only.  
Not a drilling template.