

Door Closer Models: HD8016 and HD8056 FTH Flush Track Installation [Push Side Mount] Drilling Instructions

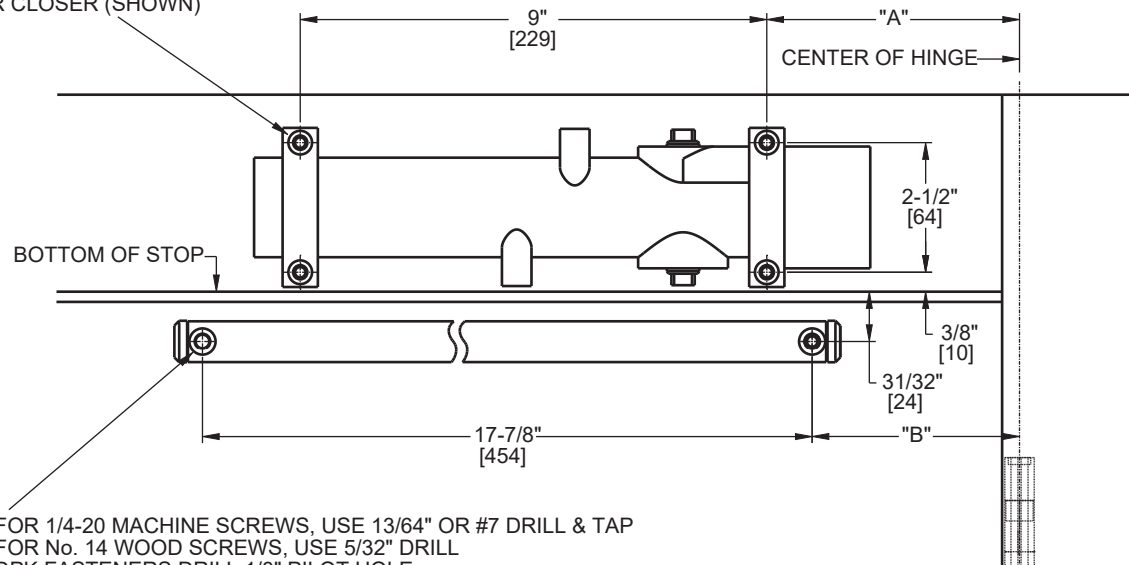
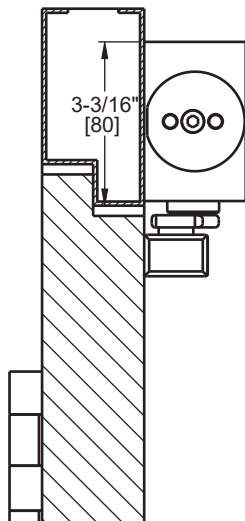
For online instructions, assistance or warranty information:
Call 1-800-392-5209 or visit <https://dhwsupport.dormakaba.com/hc/en-us>

NOTES:

1. DRAWING IS NOT TO SCALE.
2. DIMENSIONS ARE IN INCHES / [MM].
3. RIGHT HAND DOOR SHOWN.
4. CAUTION: SEX NUTS ARE REQUIRED FOR ATTACHMENT OF COMPONENTS TO UNREINFORCED DOORS AND TO WOOD OR PLASTIC FACED COMPOSITE TYPE FIRE DOORS, UNLESS AN ALTERNATIVE METHOD IS IDENTIFIED IN THE INDIVIDUAL DOOR MANUFACTURER'S LISTINGS.
5. MAXIMUM OPENING 125°.
7. SEE CATALOG FOR HOLD OPEN RANGE INFORMATION.
8. DPK FASTENERS FOR STEEL DOOR & FRAME ONLY.

ANGLE OF HOLD OPEN	DIM."A" CLOSER	DIM "B" TRACK
85°	6-1/8" [156]	6-3/4" [171]
90°	6-1/8" [156]	6-1/8" [156]
110°	5-1/8" [130]	4-3/4" [121]
125°	4-7/8" [124]	4" [102]

FOR 12-24 MACHINE SCREWS, USE 11/64" OR #16 DRILL & TAP
FOR No. 12 WOOD SCREWS, USE 9/64" DRILL
DPK FASTENERS DRILL 1/8" PILOT HOLE
FOUR (4) HOLES IN FRAME FOR CLOSER (SHOWN)



FOR 1/4-20 MACHINE SCREWS, USE 13/64" OR #7 DRILL & TAP
FOR No. 14 WOOD SCREWS, USE 5/32" DRILL
DPK FASTENERS DRILL 1/8" PILOT HOLE
FOR SEX NUTS USE 3/8" DRILL
TWO (2) HOLES IN DOOR FOR TRACK

Not to scale. Measurements are for reference only.
Not a drilling template.