

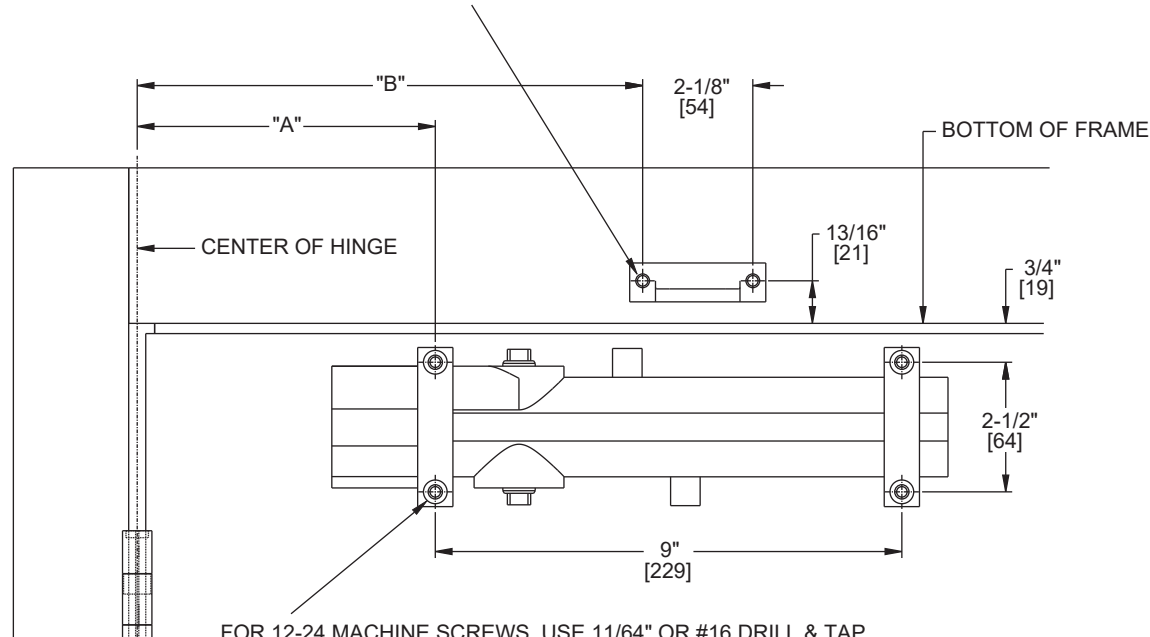
# Door Closer Models: HD8016 and HD8056 ISH Regular Installation [Pull Side Mount] Integra Cushion Arm Drilling Instructions

For online instructions, assistance or warranty information:  
Call 1-800-392-5209 or visit <https://dhwsupport.dormakaba.com/hc/en-us>

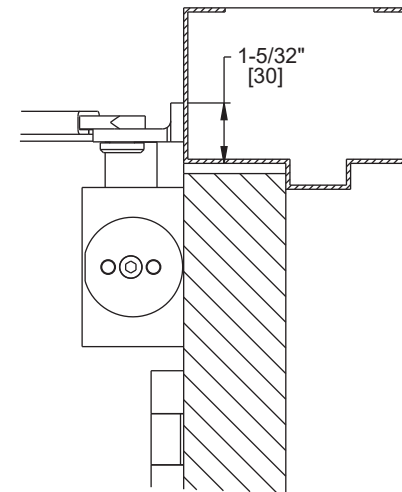
- NOTES:**
- 1) DO NOT SCALE THIS DRAWING.
  - 2) DIMENSIONS ARE IN INCHES / [MM].
  - 3) RIGHT HAND DOOR IS SHOWN.
  - 4) CAUTION: SEX NUTS ARE REQUIRED FOR ATTACHMENT OF COMPONENTS TO UNREINFORCED DOORS AND TO WOOD OR PLASTIC FACE COMPOSITE TYPE FIRE DOORS, UNLESS AN ALTERNATIVE METHOD IS IDENTIFIED IN THE INDIVIDUAL DOOR MANUFACTURER'S LISTINGS.
  - 5) OPTIONAL FASTENERS FOR STEEL DOOR & FRAME ONLY.

ANGLE OF HOLD OPEN	DIM."A" CLOSER	DIM."B" ARM SHOE
85°	9-7/8" [251]	13-7/8" [352]
90°	9-1/4" [235]	13-1/4" [337]
95°	8-3/4" [222]	12-3/4" [324]
100°	8-5/16" [211]	12-5/16" [313]
105°	7-15/16" [202]	11-15/16" [303]
110°	7-9/16" [192]	11-9/16" [294]

FOR 1/4-20 MACHINE SCREWS, USE 13/64" OR #7 DRILL & TAP  
FOR No. 14 WOOD SCREWS, USE 5/32" DRILL  
FOR DPK FASTENERS, USE 1/8" DRILL  
TWO (2) HOLES IN FRAME ARE FOR ARM SHOE (SHOWN)



FOR 12-24 MACHINE SCREWS, USE 11/64" OR #16 DRILL & TAP  
FOR No. 12 WOOD SCREWS, USE 9/64" DRILL  
FOR DPK FASTENERS, USE 1/8" DRILL  
FOR SEX NUTS, USE 3/8" DRILL  
FOUR (4) HOLES IN DOOR ARE FOR CLOSER (SHOWN)



Not to scale. Measurements are for reference only.  
Not a drilling template.