

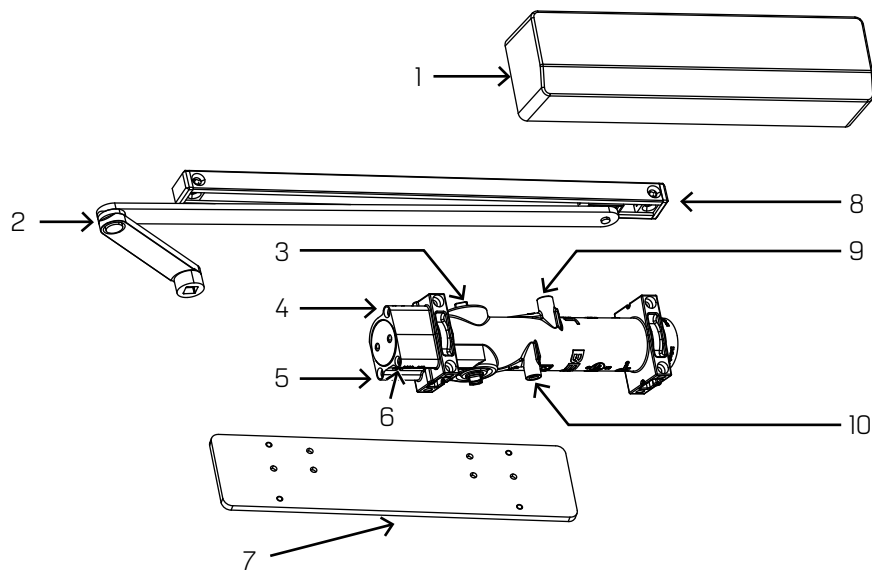
# HD8000 TDE/TDEH

Track double egress pull side mount  
and optional backplate (BP80)

## Installation Instructions

### OVERVIEW

#### Surface closer components



**1** Full cover (standard)

**2** Track arm

**3** Pinion

**4** Latch speed adjustment

**5** Delayed action adjustment

**6** Closing/sweep speed  
adjustment

**7** Backplate (optional)

**8** Track channel

**9** Backcheck adjustment








**10** Advanced variable backcheck

# Table of contents

<b>1</b>	<b>Technical specifications</b>	<b>3</b>
1.1	Overview	3
1.2	Tools recommended	3
1.3	Handling the door	3
<b>2</b>	<b>Instructions - track mount</b>	<b>4</b>
2.1	Installing backplate (optional) and surface closer	4
2.2	Assemble and secure track, arm and slide shoe	4
2.3	Securing main arm to closer	5
<b>3</b>	<b>Adjustments</b>	<b>6</b>
3.1	Adjust closing speeds: sweep, latch, backcheck, delayed action	6
3.2	Adjust hold open (TDEH)	6
3.3	Adjust spring force	7
<b>4</b>	<b>Install cover</b>	<b>7</b>

# 1 Technical specifications

## 1.1 Overview

-  Caution: sex nuts are required for attachment of components to unreinforced doors and to wood or plastic faced composite type fire doors, unless an alternative method is identified in the individual door manufacturer's listings.
-  Maximum door opening degree is 125°.
-  Maximum hold open is 125° with optional hold open kit.
-  Know the swing of the door which is being installed prior to installation.
-  Verify closer spring size prior to installation.
-  Make sure door efficiently operates prior to installing closer.
-  Do not hammer arm onto spindle. Warranty will be void.

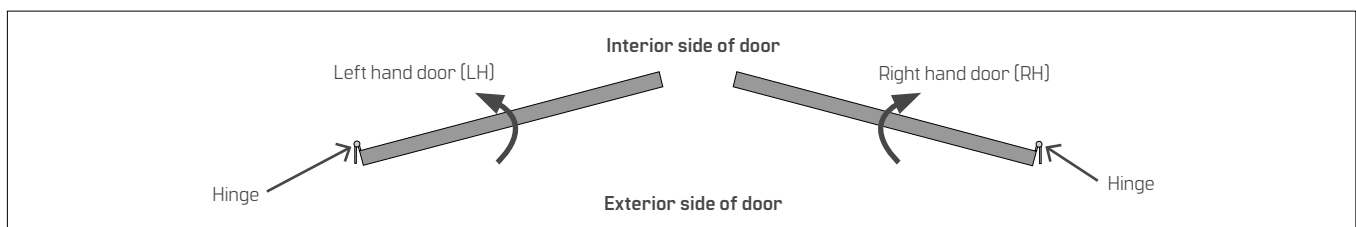
## 1.2 Tools recommended

Table 1

Drill bits:	#3 Phillips screwdriver
Metal: 7/32" drill bit; # 12-24 tap	3/16" flat head screwdriver
Wood: 3/8" and 5/32" bit	5 mm hex key
1/2" box wrench	7/16" box wrench

## 1.3 Handing the door

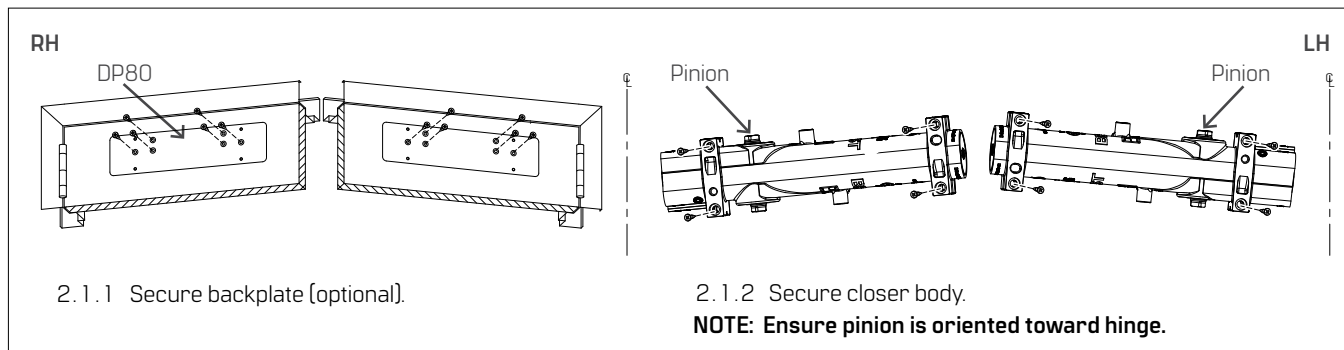
Fig. 1



## 2 Instructions - track mount

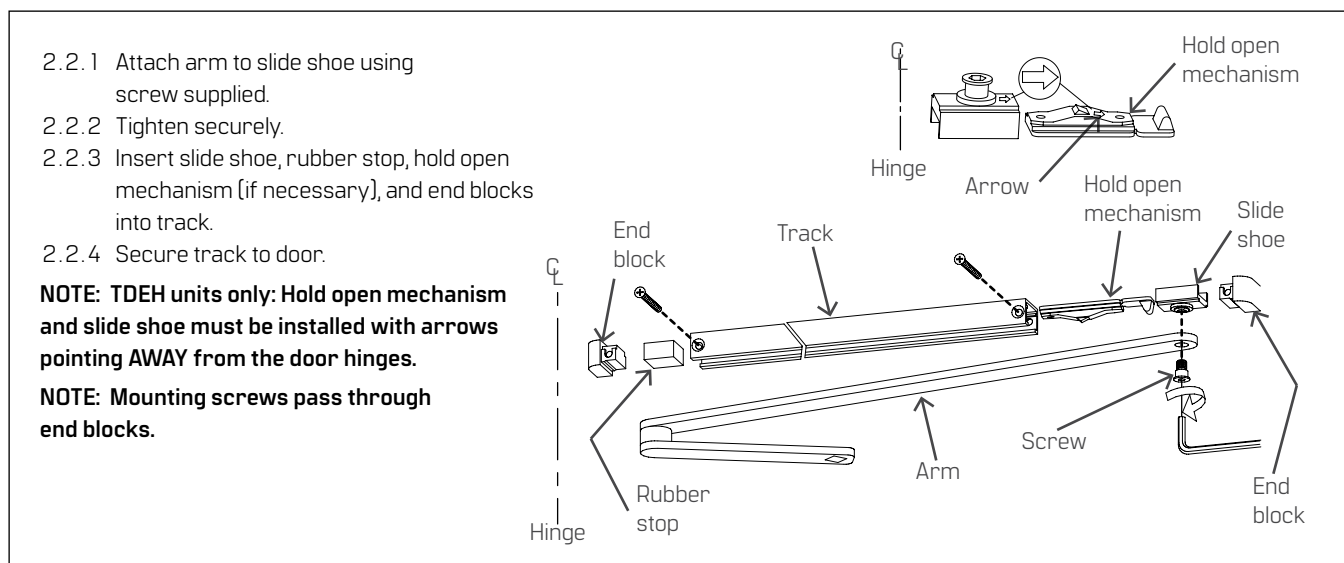
### 2.1 Installing backplate (optional) and surface closer

Fig.2



### 2.2 Assemble and secure track, arm and slide shoe

Fig.3



## 2.3 Securing main arm to closer


Fig.4

**NOTE: Hand of closer unit stamped on body always faces arm for that hand of door.**

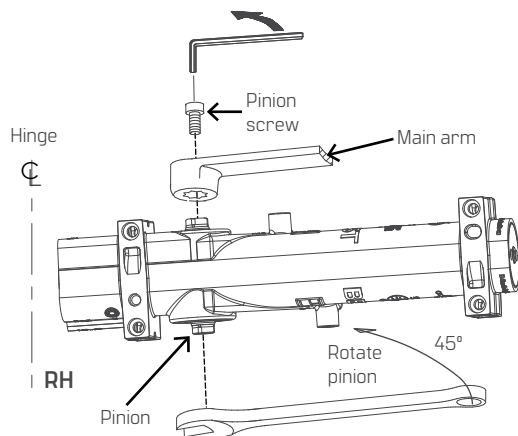
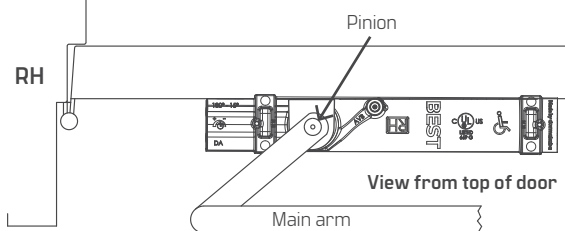
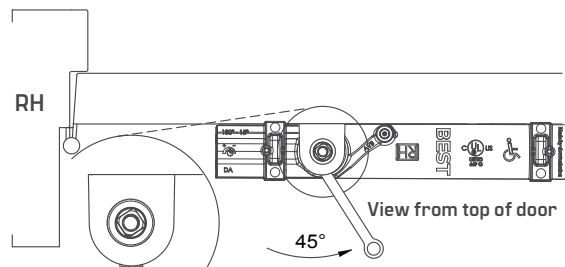
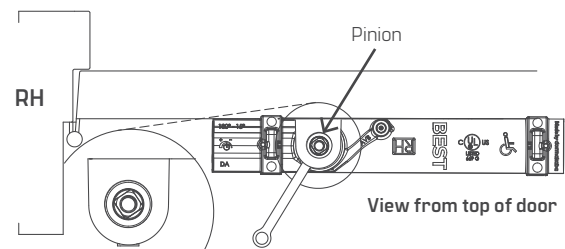
2.3.1 Preload arm by placing wrench on bottom pinion.

2.3.2 Rotate wrench 45° AWAY FROM hinge edge of door.

2.3.3 With main arm parallel to door, place main arm onto top pinion.

 **Do not hammer arm onto spindle. Warranty will be void.**

2.3.4 Secure arm to closer with pinion screw.



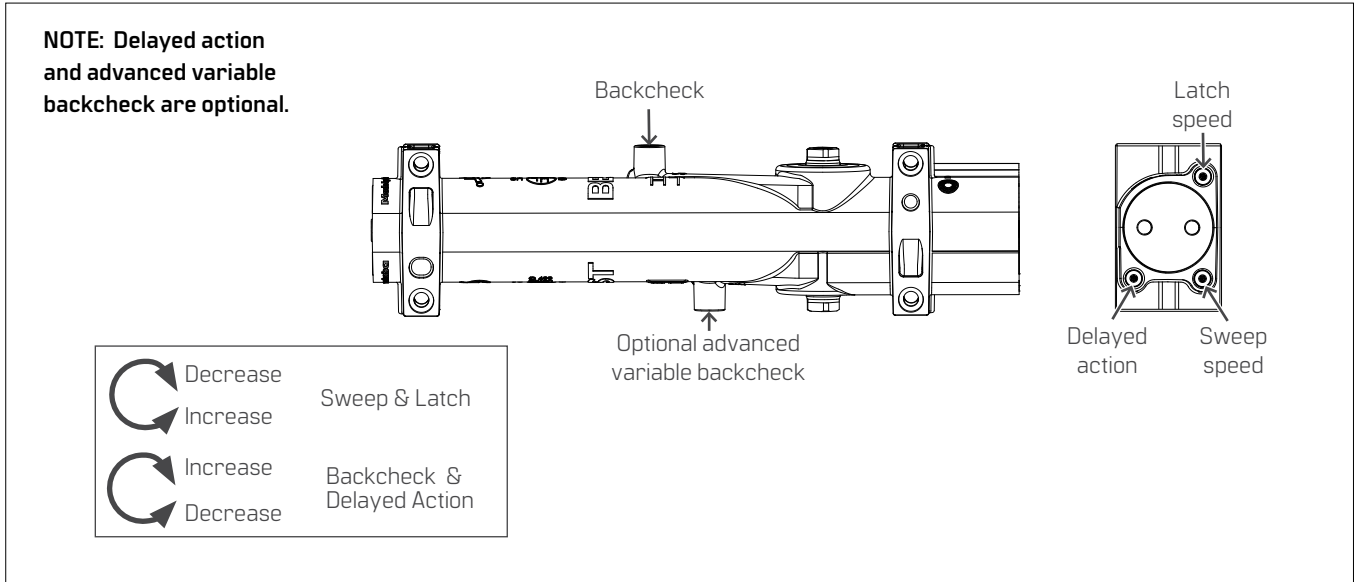
# 3 Adjustments

- ⚠ Confirm closer spring size prior to making any closing speed adjustments.
- ⚠ Do not back valve heads out beyond closer casting.

- ⚠ Maximum opening angle is 125°.
- ⚠ Door should close in 3 to 6 seconds from 90°.
- ⚠ Do not close valves completely.

## 3.1 Adjust closing speeds: sweep, latch, advanced variable backcheck, delayed action

Fig.5

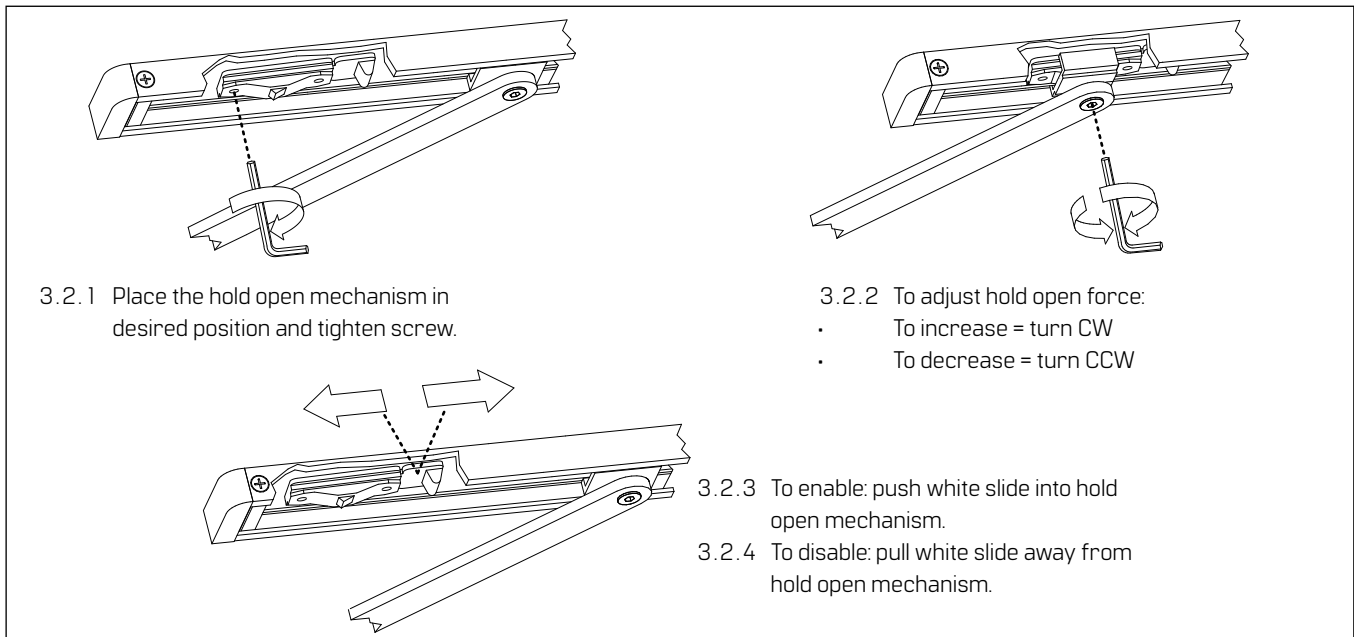


- 3.1.1 Adjust **closing sweep speed**: 90° to start of latch speed.
  - Increase sweep speed: Turn valve counter-clockwise.
  - Decrease sweep speed: Turn valve clockwise.
- 3.1.2 Adjust **closing latch speed**: 15° to close.
  - Increase latch speed: Turn valve counter-clockwise.
  - Decrease latch speed: Turn valve clockwise.

- 3.1.3 Adjust **opening backcheck**: beginning at 80° to 125°.
  - Increase resistance: Turn valve clockwise.
  - Decrease resistance: Turn valve counter-clockwise.
- 3.1.4 Adjust **closing delayed action**: angle 125° to 65°.
  - Increase delayed action: Turn valve clockwise.
  - Decrease delayed action: Turn valve counter-clockwise.

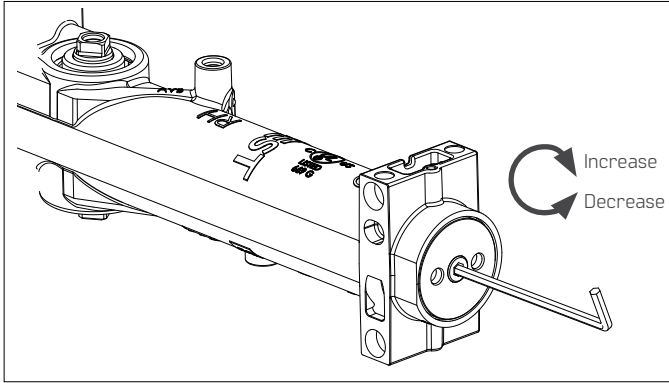
## 3.2 Adjust hold open (TDEH)

Fig.6



### 3.3 Adjust spring force

Fig.7



**HD 8016 - supplied with a size 4**

**HD 8056 - supplied with a size 6**

**HD 8016 ONLY - Barrier free openings:** Take an opening force reading from the pull on the door. If required, adjust the spring force to meet the barrier-free requirement.

- **Decrease force:** turn counter-clockwise; 8 turns max.
- **Increase force:** turn clockwise; 14 turns max.

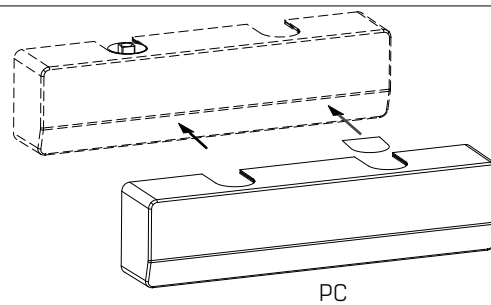
Depending on opening conditions, a door adjusted to meet barrier-free forces may not have sufficient power to reliably close and latch the door.

Track mount				
	Closer size	Max door weight (lbs)	Door width	
			Interior	Full turns
HD 8016	4	125	2'6"	0
	5	150	3'	+4
	6	200	3'6"	+12
HD 8056	6	200	3'6"	0
	6+	250	4'	+6

## 4 Install cover

Fig.8

- 4.1.1 Place tab in cover slot, opposite main arm.
- 4.1.2 Snap cover on closer body.





**For Online Instructions Visit:**  
<https://dhwsupport.dormakaba.com/hc/en-us>  
**For Assistance or Warranty Information:**  
Call 1-800-392-5209 or Visit  
<https://dhwsupport.dormakaba.com/hc/en-us>