

# Door Closer Models: HD7016 IS Regular Installation [Pull Side Mount] Dead Stop Arm with Plates BP70, BP70FC Drilling Instructions

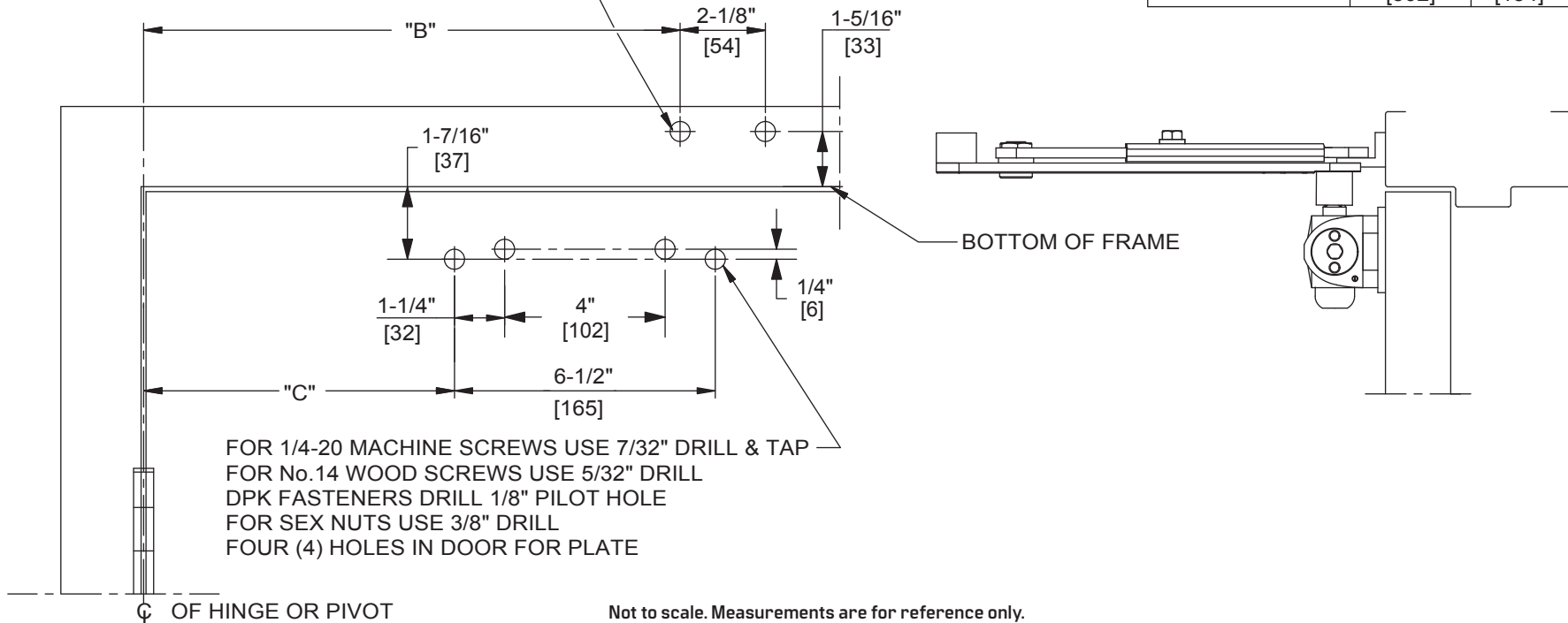
For online instructions, assistance or warranty information:  
Call 1-800-392-5209 or visit <https://dhwsupport.dormakaba.com/hc/en-us>

**NOTES:**

1. DO NOT SCALE DRAWING.
2. DIMENSIONS ARE IN INCHES/(MM).
3. RIGHT HAND DOOR SHOWN.
4. CAUTION: SEX NUTS ARE REQUIRED FOR ATTACHMENT OF COMPONENTS TO UNREINFORCED DOORS AND TO WOOD OR PLASTIC FACED COMPOSITE TYPE FIRE DOORS, UNLESS AN ALTERNATIVE METHOD IS IDENTIFIED IN THE INDIVIDUAL DOOR MANUFACTURER'S LISTINGS.
5. DPK FASTENERS FOR STEEL DOOR & FRAME ONLY.

DEGREE OF DEAD STOP	DIM. "B" ARM SHOE	DIM. "C" PLATE
85°	13-7/8 [352]	8-1/2 [216]
90°	13-1/2 [343]	7-13/16 [198]
95°	13-1/4 [337]	7 [178]
100°	12-5/8 [321]	6-15/16 [176]
105°	12-1/4 [311]	6-1/2 [165]
110°	11-7/8 [302]	6-1/16 [154]

FOR 1/4-20 MACHINE SCREWS USE 7/32" DRILL & TAP  
FOR No.14 WOOD SCREWS USE 5/32" DRILL  
DPK FASTENERS DRILL 1/8" PILOT HOLE  
TWO (2) HOLES IN FRAME FOR ARM SHOE



Not to scale. Measurements are for reference only.  
Not a drilling template.