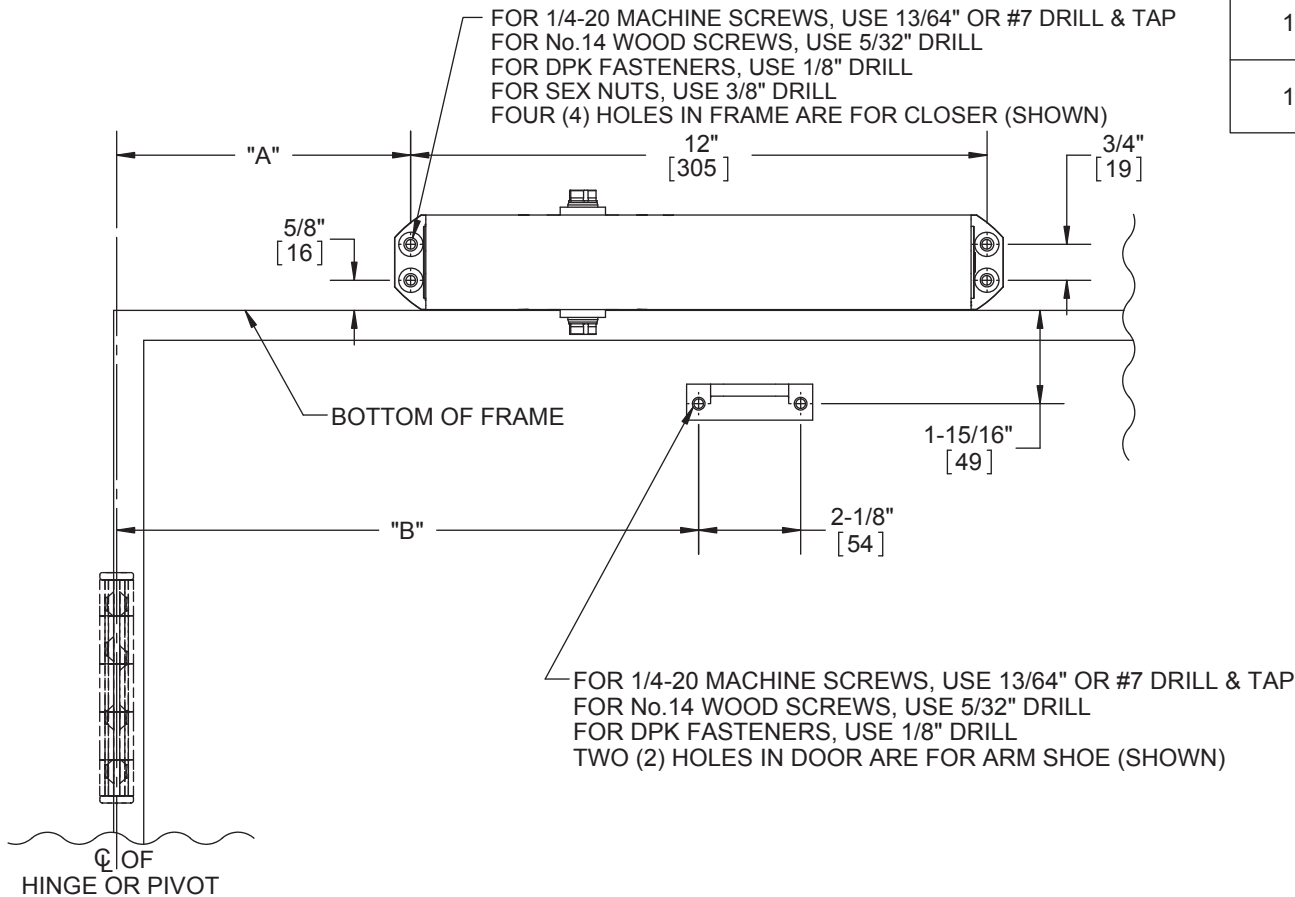


**Door Closer Models: HD7016 ISJH Top Jamb
Installation (Push Side Mount) (Integra Cushion Arm)
Drilling Instructions**

For online instructions, assistance or warranty information:
Call 1-800-392-5209 or visit <https://dhwsupport.dormakaba.com/hc/en-us>

NOTES:

- 1) DO NOT SCALE THIS DRAWING
- 2) DIMENSIONS ARE IN INCHES / [MM]
- 3) LEFT HAND DOOR IS SHOWN
- 4) CAUTION: SEX NUTS ARE REQUIRED FOR ATTACHMENT OF COMPONENTS TO UNREINFORCED DOORS AND TO WOOD OR PLASTIC FACE COMPOSITE TYPE FIRE DOORS, UNLESS AN ALTERNATIVE METHOD IS IDENTIFIED IN THE INDIVIDUAL DOOR MANUFACTURER'S LISTINGS.
- 5) PLEASE SEE CATALOG FOR REVEAL INFORMATION.
- 6) DPK FASTENERS FOR STEEL DOOR & FRAME ONLY.



ANGLE OF HOLD OPEN	ANGLE OF CUSHION	DIMENSION "A" (CLOSER)	DIMENSION "B" (ARM SHOE)
85°	86° - 88°	6-1/8" [156]	12-1/8" [308]
90°	91° - 93°	5-1/2" [140]	11-5/8" [295]
95°	96° - 98°	5-1/8" [130]	11-1/8" [283]
100°	101° - 103°	4-7/8" [124]	10-3/4" [273]
105°	106° - 108°	4-1/2" [114]	10-3/8" [264]
110°	111° - 113°	4-1/8" [105]	10-1/8" [257]

