

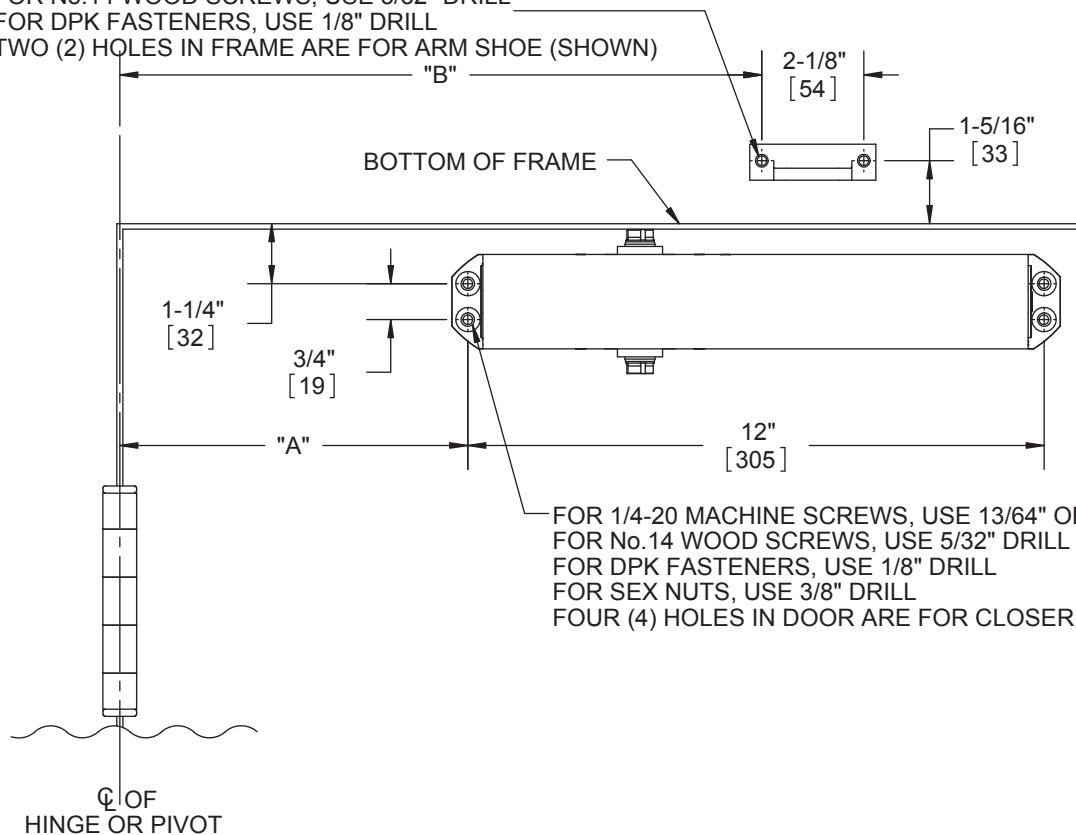
**Door Closer Models: HD7016 ISH Regular Installation
(Pull Side Mount) (Integra Cushion Arm)
Drilling Instructions**

For online instructions, assistance or warranty information:
Call 1-800-392-5209 or visit <https://dhwsupport.dormakaba.com/hc/en-us>

NOTES:

- 1) DO NOT SCALE THIS DRAWING
- 2) DIMENSIONS ARE IN INCHES / [MM]
- 3) RIGHT HAND DOOR IS SHOWN
- 4) CAUTION: SEX NUTS ARE REQUIRED FOR ATTACHMENT OF COMPONENTS TO UNREINFORCED DOORS AND TO WOOD OR PLASTIC FACE COMPOSITE TYPE FIRE DOORS, UNLESS AN ALTERNATIVE METHOD IS IDENTIFIED IN THE INDIVIDUAL DOOR MANUFACTURER'S LISTINGS.
- 5) DPK FASTENERS FOR STEEL DOOR & FRAME ONLY.

FOR 1/4-20 MACHINE SCREWS, USE 13/64" OR #7 DRILL & TAP
FOR No.14 WOOD SCREWS, USE 5/32" DRILL
FOR DPK FASTENERS, USE 1/8" DRILL
TWO (2) HOLES IN FRAME ARE FOR ARM SHOE (SHOWN)



FOR 1/4-20 MACHINE SCREWS, USE 13/64" OR #7 DRILL & TAP
FOR No.14 WOOD SCREWS, USE 5/32" DRILL
FOR DPK FASTENERS, USE 1/8" DRILL
FOR SEX NUTS, USE 3/8" DRILL
FOUR (4) HOLES IN DOOR ARE FOR CLOSER (SHOWN)

ANGLE OF HOLD OPEN	ANGLE OF CUSHION	DIMENSION "A" (CLOSER)	DIMENSION "B" (ARM SHOE)
85°	86° - 88°	$\frac{7-1/4"}{[184]}$	$\frac{13-3/8"}{[340]}$
90°	91° - 93°	$\frac{6-5/8"}{[168]}$	$\frac{12-3/4"}{[324]}$
95°	96° - 98°	$\frac{6-1/8"}{[156]}$	$\frac{12-3/8"}{[314]}$
100°	101° - 103°	$\frac{5-3/4"}{[146]}$	$\frac{11-7/8"}{[302]}$
105°	106° - 108°	$\frac{5-3/8"}{[137]}$	$\frac{11-1/2"}{[292]}$
110°	111° - 113°	$\frac{5"}{[127]}$	$\frac{11-1/8"}{[283]}$

