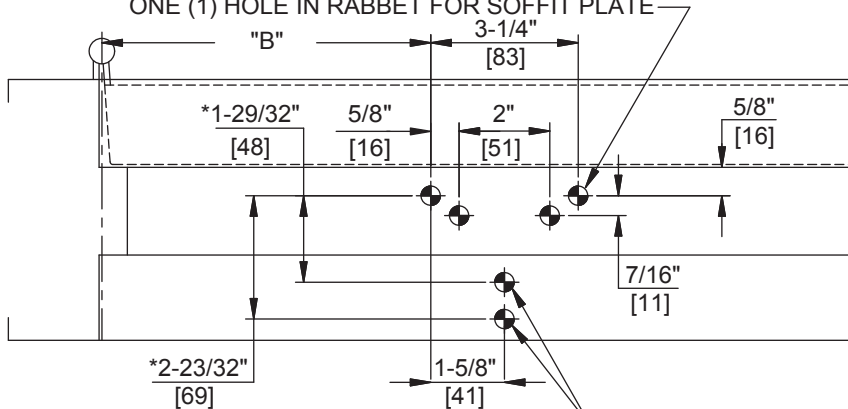


Door Closer Models: HD7016 SPA, SPAT Super Parallel Arm Installation [Push Side Mount] with Plates DP70, DP70FC and Standard Spacer Block Optional NFHD Bracket and BSHD Blade Stop Spacer Block Drilling Instructions

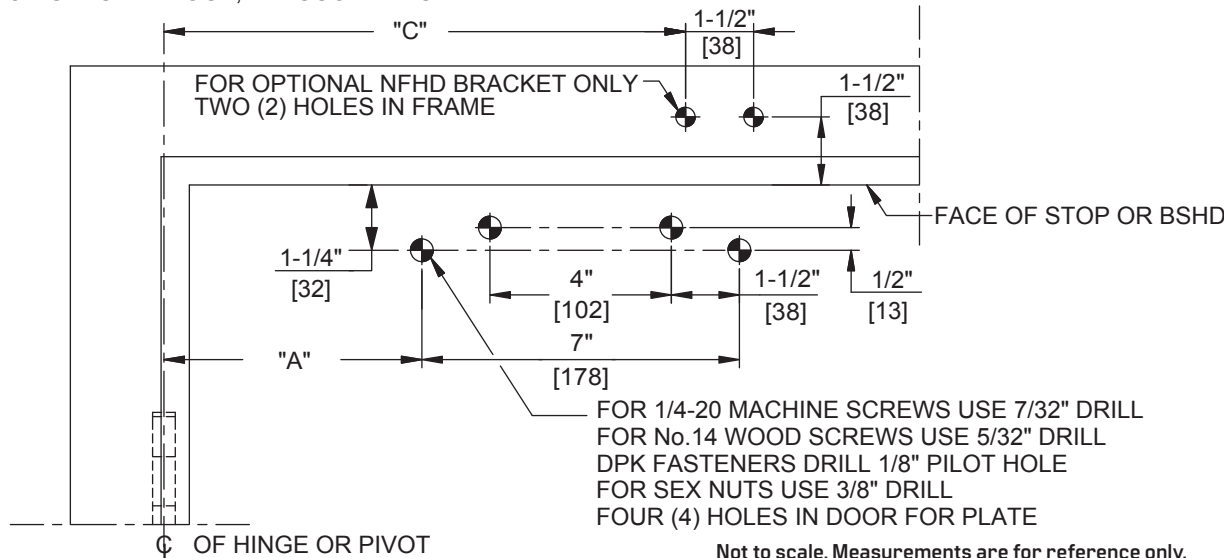
For online instructions, assistance or warranty information:

Call 1-800-392-5209 or visit <https://dhwsupport.dormakaba.com/hc/en-us>

FOR 1/4-20 MACHINE SCREWS USE 7/32" DRILL
FOR No.14 WOOD SCREWS USE 5/32" DRILL
DPK FASTENERS DRILL 1/8" PILOT HOLE
FOUR (4) HOLES IN STOP
ONE (1) HOLE IN RABBET FOR SOFFIT PLATE



*IMPORTANT: CHOOSE APPROPRIATE HOLE LOCATION FOR SPACER BLOCK, IN ACCORDANCE WITH FRAME WIDTH.



FOR 1/4-20 MACHINE SCREWS USE 7/32" DRILL
FOR No.14 WOOD SCREWS USE 5/32" DRILL
DPK FASTENERS DRILL 1/8" PILOT HOLE
FOR SEX NUTS USE 3/8" DRILL
FOUR (4) HOLES IN DOOR FOR PLATE

Not to scale. Measurements are for reference only.
Not a drilling template.

ANGLE OF OPENING HOLD OPEN	DIM. "A" CLOSER	DIM. "B" SOFFIT PLATE	DIM. "C" (NFHD) BRACKET OPTIONAL
TO 100° H.O. 90°	9-3/8" [238]	10-1/8" [257]	11" [279]
TO 180° H.O. 125°	5-3/4" [146]	6-1/2" [165]	7-3/8" [187]

NOTES:

- DO NOT SCALE DRAWING.
- DIMENSIONS ARE IN INCHES/(MM).
- LEFT HAND DOOR SHOWN.
- CAUTION: SEX NUTS ARE REQUIRED FOR ATTACHMENT OF COMPONENTS TO UNREINFORCED DOORS AND TO WOOD OR PLASTIC FACED COMPOSITE TYPE FIRE DOORS, UNLESS AN ALTERNATIVE METHOD IS IDENTIFIED IN THE INDIVIDUAL DOOR MANUFACTURER'S LISTINGS.
- FOR FRAME WIDTHS 4-1/2" AND LESS USE OPTIONAL (NFHD) BRACKET.
- MINIMUM DOOR WIDTH 26".
- TEMPLATE BASED ON 4-1/2" x 4-1/2" BUTT HINGES.
- HOLD OPEN AND DEAD STOP ARE SAME LOCATION.
- DPK FASTENERS FOR STEEL DOOR & FRAME ONLY.

