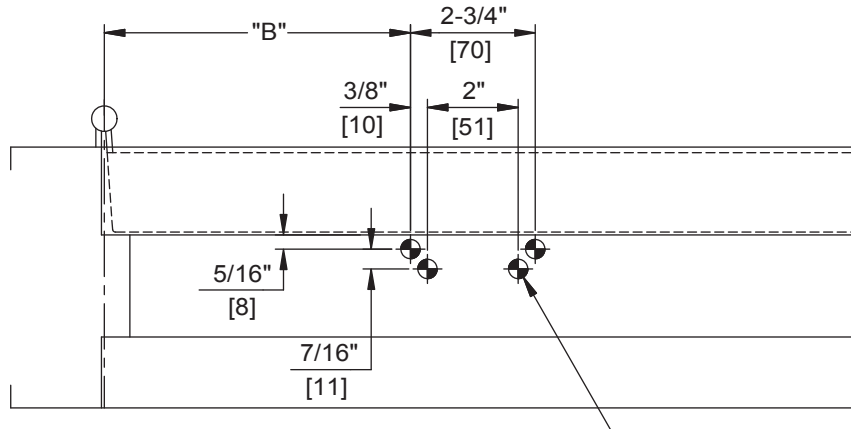
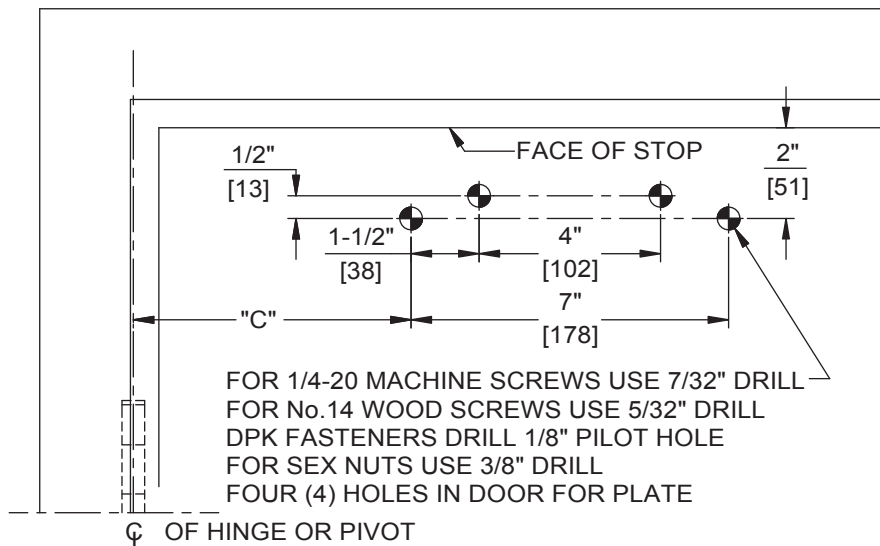


# Door Closer Models: HD7016 FHP Parallel Arm Installation [Push Side Mount] with Plates DP70, DP70FC Drilling Instructions

For online instructions, assistance or warranty information:  
Call 1-800-392-5209 or visit <https://dhwsupport.dormakaba.com/hc/en-us>



FOR 1/4-20 MACHINE SCREWS USE 7/32" DRILL  
FOR No.14 WOOD SCREWS USE 5/32" DRILL  
DPK FASTENERS DRILL 1/8" PILOT HOLE  
FOUR (4) HOLES IN FRAME FOR PA BRACKET

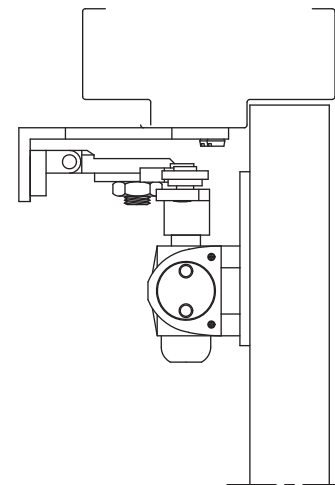


FOR 1/4-20 MACHINE SCREWS USE 7/32" DRILL  
FOR No.14 WOOD SCREWS USE 5/32" DRILL  
DPK FASTENERS DRILL 1/8" PILOT HOLE  
FOR SEX NUTS USE 3/8" DRILL  
FOUR (4) HOLES IN DOOR FOR PLATE

**NOTES:**

1. DO NOT SCALE DRAWING.
2. DIMENSIONS ARE IN INCHES/(MM).
3. LEFT HAND DOOR SHOWN.
4. CAUTION: SEX NUTS ARE REQUIRED FOR ATTACHMENT OF COMPONENTS TO UNREINFORCED DOORS AND TO WOOD OR PLASTIC FACED COMPOSITE TYPE FIRE DOORS, UNLESS AN ALTERNATIVE METHOD IS IDENTIFIED IN THE INDIVIDUAL DOOR MANUFACTURER'S LISTINGS.
5. MAX. OPENING IS 180°.
6. DPK FASTENERS FOR STEEL DOOR & FRAME ONLY.

ANGLE OF OPENING	DIM."B" BRACKET	DIM. "C" PLATE
TO 100°	9-1/4" [235]	8-5/8" [219]
100° TO 130°	7-3/4" [197]	7-1/8" [181]
OVER 130°	6-3/4" [171]	6-1/8" [155]



Not to scale. Measurements are for reference only.  
Not a drilling template.