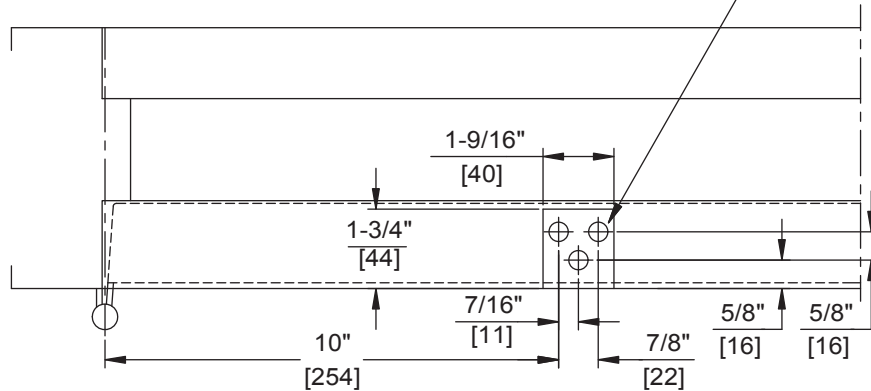


# Door Closer Models: HD7016 AF x MJ Regular Installation [Pull Side Mount] Drilling Instructions

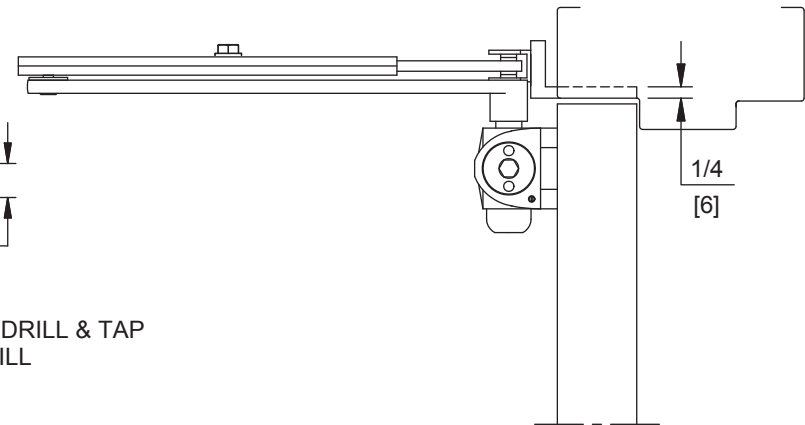
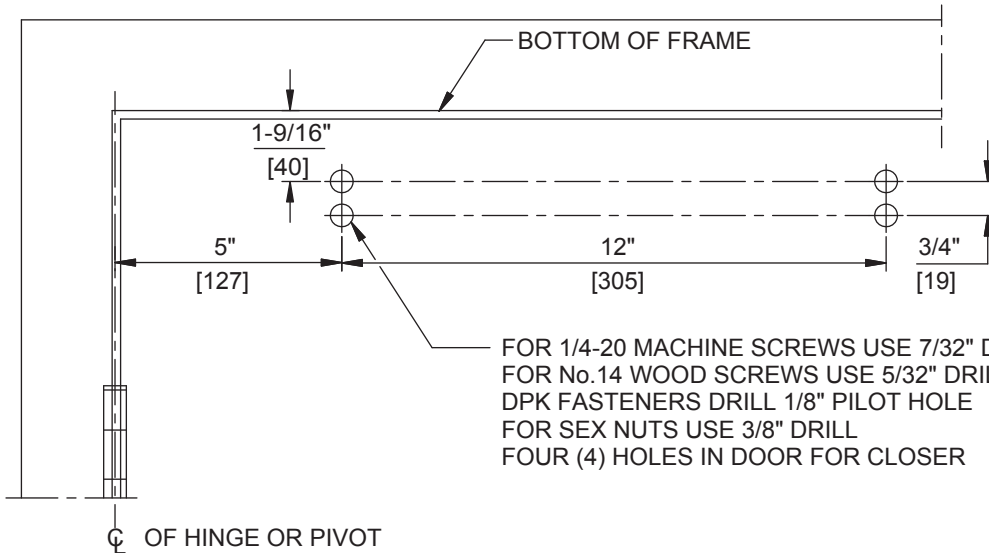
For online instructions, assistance or warranty information:  
Call 1-800-392-5209 or visit <https://dhwsupport.dormakaba.com/hc/en-us>

FOR 1/4-20 MACHINE SCREWS USE 7/32" DRILL & TAP  
FOR No.14 WOOD SCREWS USE 5/32" DRILL  
DPK FASTENERS DRILL 1/8" PILOT HOLE  
THREE (3) HOLES IN RABBET FOR BRACKET



**NOTES:**

1. DO NOT SCALE DRAWING.
2. DIMENSIONS ARE IN INCHES/(MM).
3. RIGHT HAND DOOR SHOWN.
4. CAUTION: SEX NUTS ARE REQUIRED FOR ATTACHMENT OF COMPONENTS TO UNREINFORCED DOORS AND TO WOOD OR PLASTIC FACED COMPOSITE TYPE FIRE DOORS, UNLESS AN ALTERNATIVE METHOD IS IDENTIFIED IN THE INDIVIDUAL DOOR MANUFACTURER'S LISTINGS.
5. MAX. OPENING IS 180°.
6. DPK FASTENERS FOR STEEL DOOR & FRAME ONLY.



Not to scale. Measurements are for reference only.  
Not a drilling template.