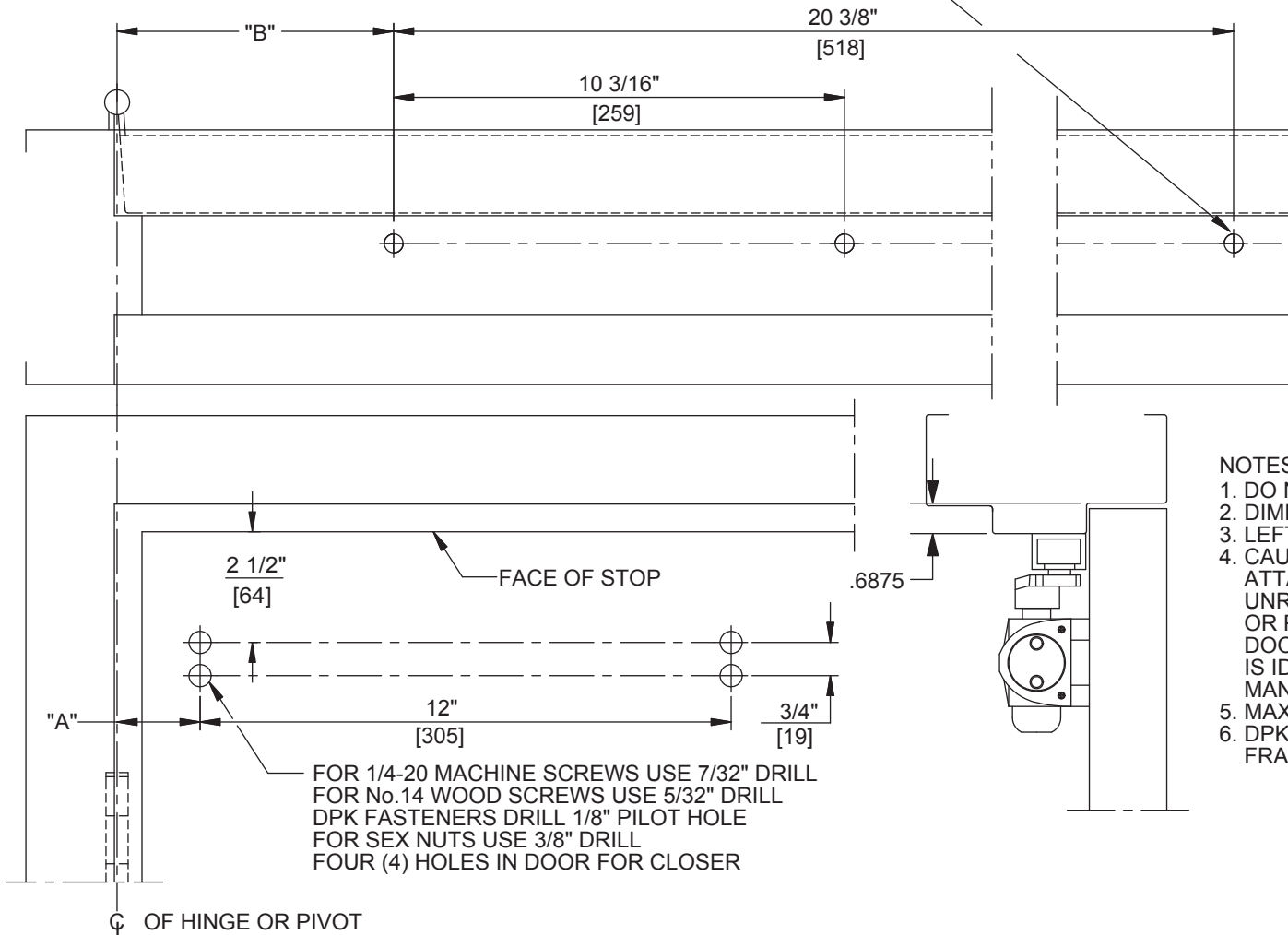


Door Closer Models: HD7016 PT, PTH
Parallel Track Installation (Push Side Mount)
Drilling Instructions

For online instructions, assistance or warranty information:
 Call 1-800-392-5209 or visit <https://dhwsupport.dormakaba.com/hc/en-us>

ANGLE OF OPENING	DIM. "A" DOOR	DIM. "B" TRACK	HOLD OPEN RANGE
85°	1-7/8" (48)	9-7/8" (251)	30° - 82°
90°	1-7/8" (48)	8-1/4" (209)	30° - 87°
100°	1-7/8" (48)	6-1/4" (159)	30° - 97°

FOR 1/4-20 MACHINE SCREWS USE 7/32" DRILL
 FOR No.14 WOOD SCREWS USE 5/32" DRILL
 DPK FASTENERS DRILL 1/8" PILOT HOLE
 THREE (3) HOLES IN FRAME FOR TRACK



NOTES:

1. DO NOT SCALE DRAWING.
2. DIMENSIONS ARE IN INCHES/(MM).
3. LEFT HAND DOOR SHOWN.
4. CAUTION: SEX NUTS ARE REQUIRED FOR ATTACHMENT OF COMPONENTS TO UNREINFORCED DOORS AND TO WOOD OR PLASTIC FACED COMPOSITE TYPE FIRE DOORS, UNLESS AN ALTERNATIVE METHOD IS IDENTIFIED IN THE INDIVIDUAL DOOR MANUFACTURER'S LISTINGS.
5. MAX. OPENING IS 100°.
6. DPK FASTENERS FOR STEEL DOOR & FRAME ONLY.