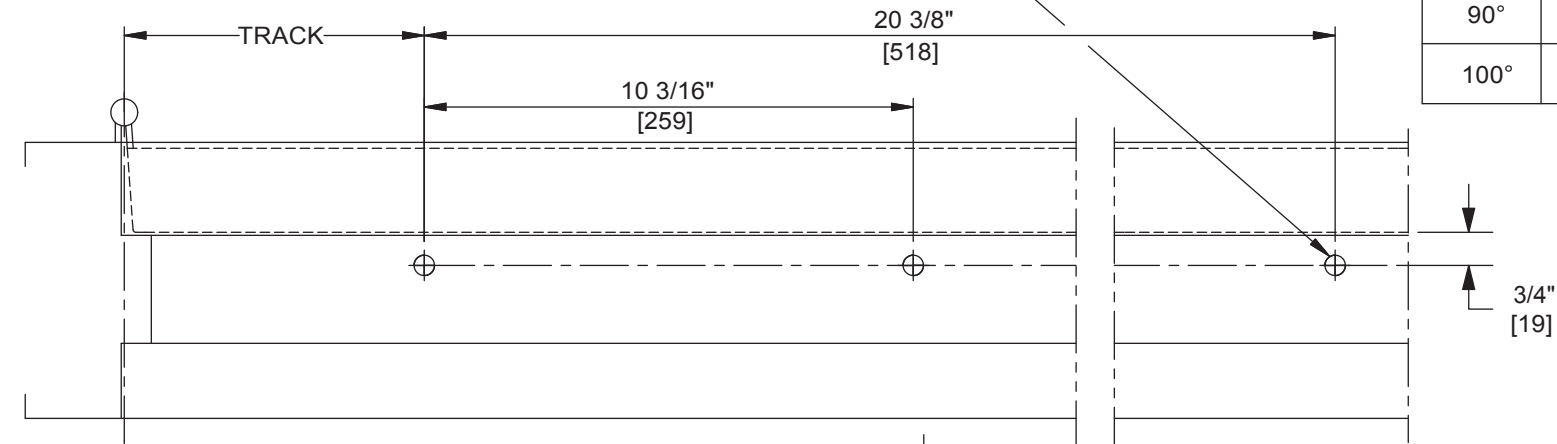


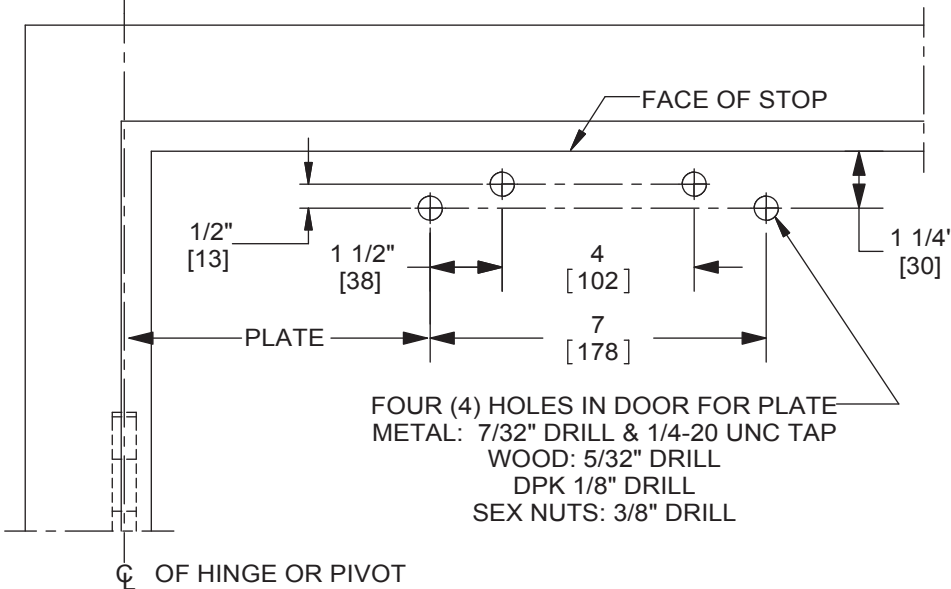
**Door Closer Models: HD7016 PT, PTH Parallel Track
Installation (Push Side Mount) with Plates DP70, DP70FC
Drilling Instructions**

For online instructions, assistance or warranty information:
Call 1-800-392-5209 or visit <https://dhwsupport.dormakaba.com/hc/en-us>

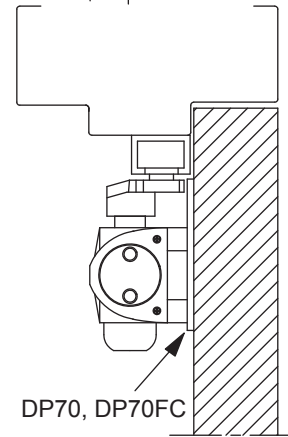
THREE (3) HOLES IN FRAME FOR TRACK
METAL: 7/32" DRILL & 1/4-20 UNC TAP
WOOD: 5/32" DRILL
DPK: 1/8" DRILL



ANGLE OF OPENING	PLATE DIM.	TRACK DIM.	HOLD OPEN RANGE
85°	6-3/8" (162)	9-7/8" (251)	30° - 82°
90°	6-3/8" (162)	8-1/4" (209)	30° - 87°
100°	6-3/8" (162)	6-1/4" (159)	30° - 97°



FOUR (4) HOLES IN DOOR FOR PLATE
METAL: 7/32" DRILL & 1/4-20 UNC TAP
WOOD: 5/32" DRILL
DPK 1/8" DRILL
SEX NUTS: 3/8" DRILL



NOTES:

1. DO NOT SCALE DRAWING.
2. DIMENSIONS ARE IN INCHES/(MM).
3. LEFT HAND DOOR SHOWN.
4. CAUTION: SEX NUTS ARE REQUIRED FOR ATTACHMENT OF COMPONENTS TO UNREINFORCED DOORS AND TO WOOD OR PLASTIC FACED COMPOSITE TYPE FIRE DOORS, UNLESS AN ALTERNATIVE METHOD IS IDENTIFIED IN THE INDIVIDUAL DOOR MANUFACTURER'S LISTINGS.
5. MAX. OPENING IS 100°.
6. DPK FASTENERS FOR STEEL DOOR & FRAME ONLY.