

# HD7000 SIS, SISJ, SISH, SISJH

Pull side stop SIS arm regular mount  
Push side stop SISJ arm top jamb mount  
Pull side stop SISH arm regular mount, with hold open  
Push side stop SISJH arm top jamb mount, with hold open

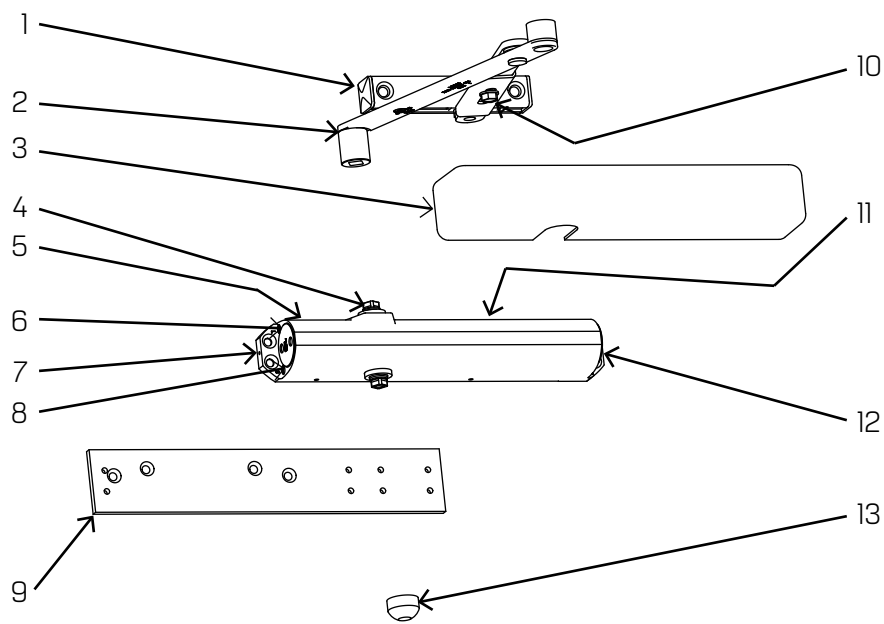
## Installation Instructions



dormakaba Group

### OVERVIEW

#### Surface closer components



**1** Damper assembly

**6** Latch speed adjustment

**10** Connecting arm

**2** Main arm

**7** Closer body

**11** Backcheck positioning

**3** Slim cover (optional)

**8** Closing/sweep speed adjustment

**12** Backcheck adjustment

**4** Pinion

**9** Backplate (optional)

**13** Dust cap

**5** Delayed action adjustment





# Table of contents


<b>1</b>	<b>Technical specifications</b>	<b>4</b>
1.1	Overview	4
1.2	Tools recommended	4
1.3	Handing the door	4
1.4	Surface closer components	5
<b>2</b>	<b>Installation - regular mount</b>	<b>5</b>
2.1	Installing the surface closer	5
2.2	Securing main arm to door/frame	6
2.3	Securing main arm to closer	6
<b>3</b>	<b>Instructions - top jamb mount</b>	<b>7</b>
3.1	Installing the surface closer	7
3.2	Securing main arm to door/frame	8
3.3	Securing main arm to closer	8
<b>4</b>	<b>Adjustments</b>	<b>9</b>
4.1	Adjust closing speeds: sweep, latch, backcheck, delayed action	9
4.2	Adjust hold open (optional)	9
4.3	Adjust spring force	10
<b>5</b>	<b>Install slim cover (optional)</b>	<b>11</b>


# 1 Technical specifications


## 1.1 Overview


 Caution: sex nuts are required for attachment of components to unreinforced doors and to wood or plastic faced composite type fire doors, unless an alternative method is identified in the individual door manufacturer's listings.


 Maximum door opening degree is 110°.

 Maximum 4 - 1/2" reveal on top jamb mounts for 110° degree openings.

 Know the swing of the door which is being installed prior to installation.

 Verify closer spring size prior to installation.

 Make sure door efficiently operates prior to installing closer.

 Do not hammer arm onto spindle. Warranty will be void.

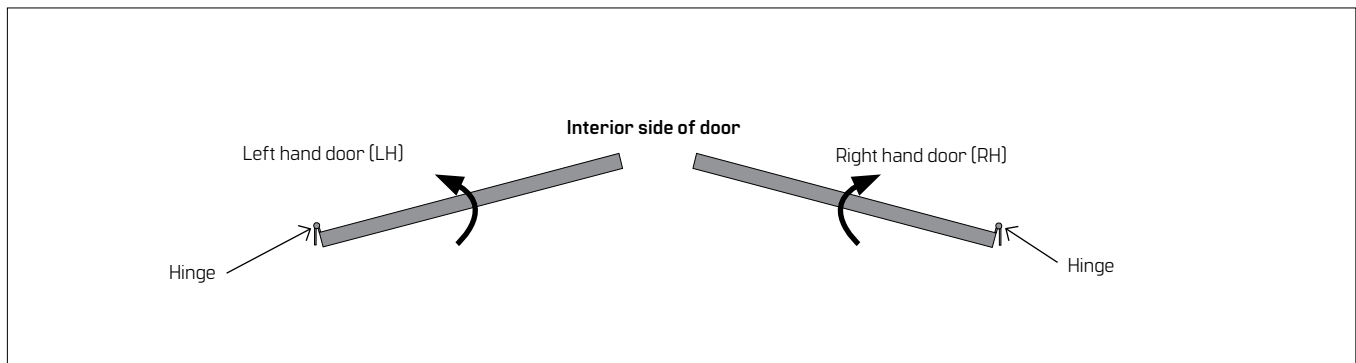
## 1.2 Tools recommended

Table 1

Drill bits:	#3 phillips screwdriver
Metal: 7/32" drill bit; 1/4-20 tap	1/2" or 13 mm box wrench
Wood: 5/32" bit	10" adjustable wrench
DPK: 1/8"	3/16" hex key
Sex nuts: 3/8"	5 mm hex key (supplied)

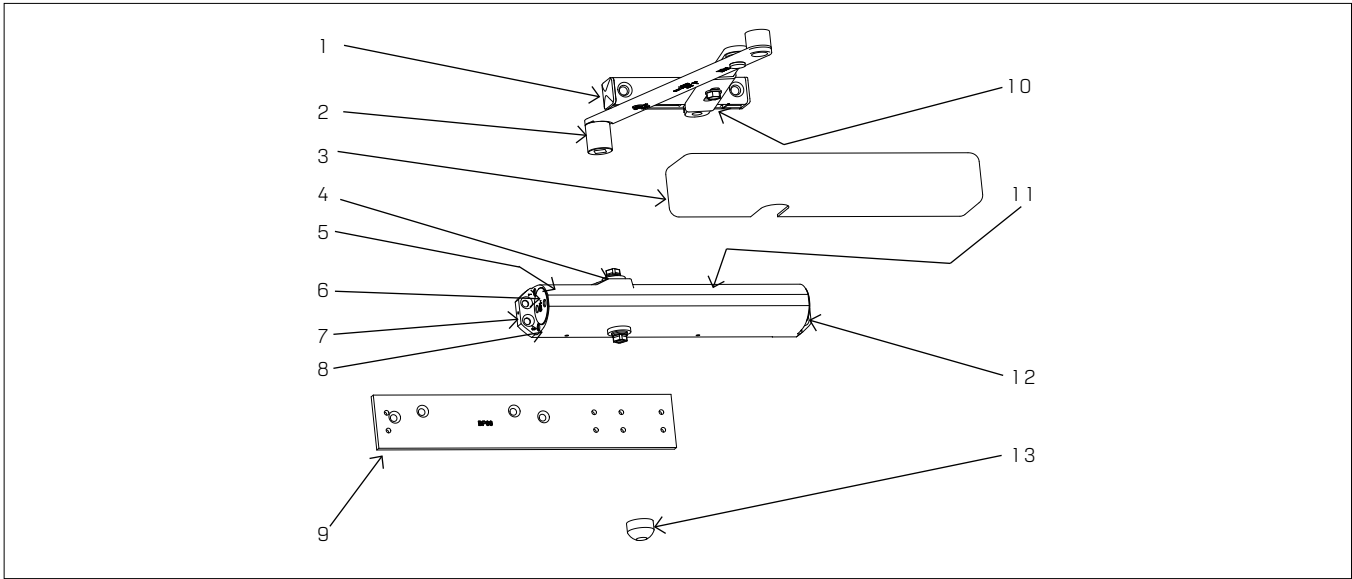
## 1.3 Handing the door

Fig.1



## 1.4 Surface closer components

Fig.2



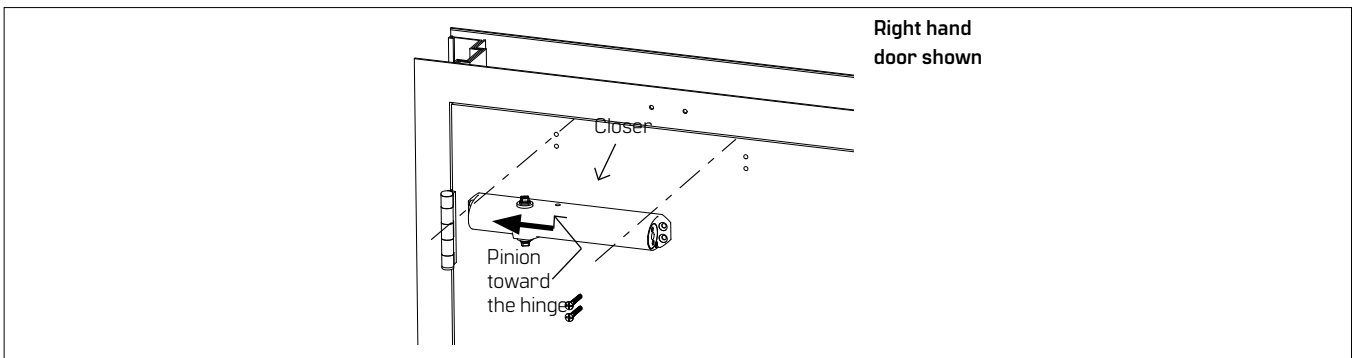
The surface closer is comprised of the following components.

- |                              |                                   |
|------------------------------|-----------------------------------|
| 1. Damper assembly           | 7. Closer body                    |
| 2. Main arm                  | 8. Closing/sweep speed adjustment |
| 3. Slim cover (optional)     | 9. Backplate (optional)           |
| 4. Pinion                    | 10. Connecting arm                |
| 5. Delayed action adjustment | 11. Backcheck positioning         |
| 6. Latch speech adjustment   | 12. Backcheck adjustment          |
|                              | 13. Dust cap                      |

## 2 Installation - regular mount

### 2.1 Installing the surface closer

Fig.3

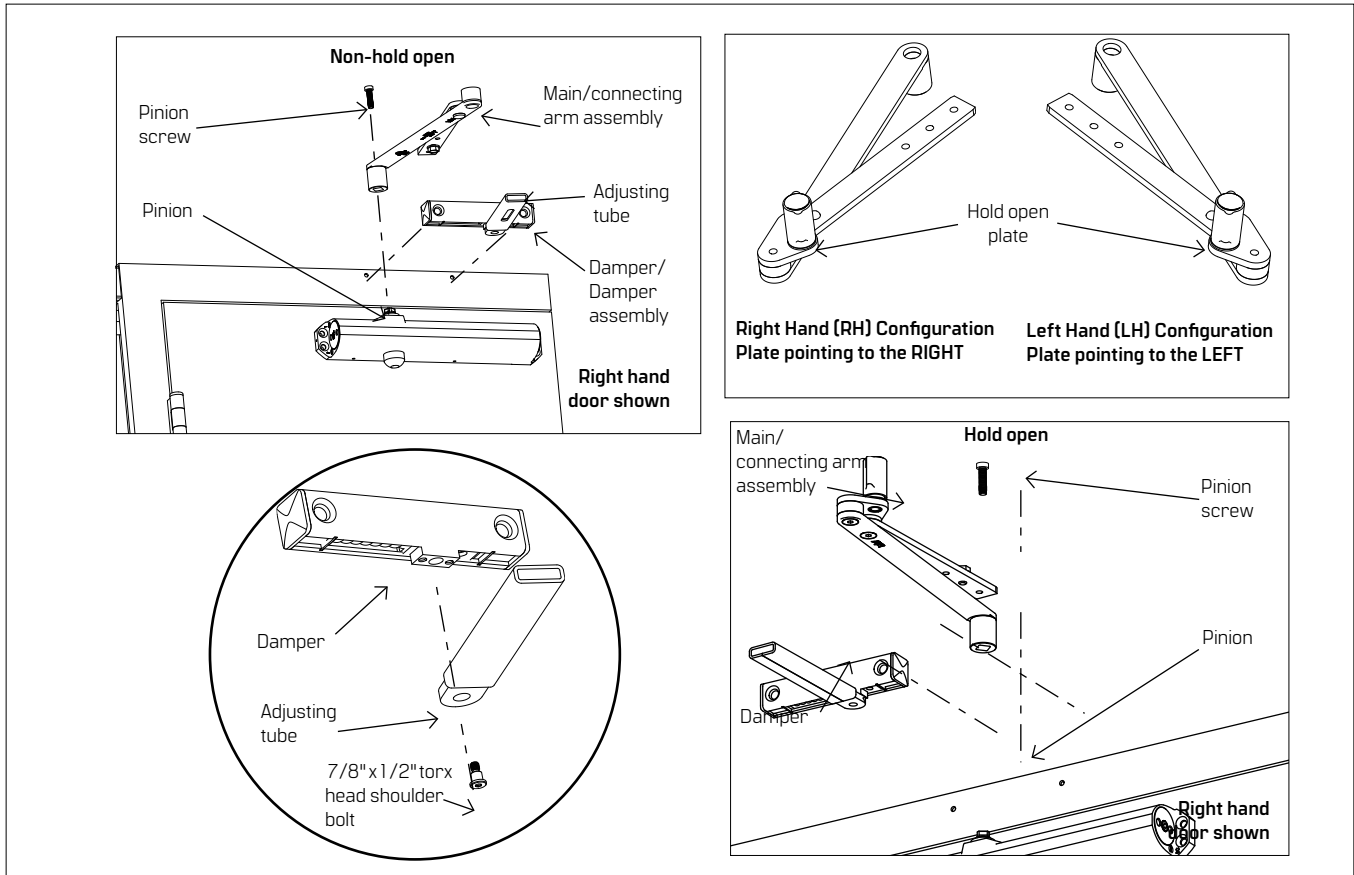


**NOTE: Orient pinion closest to hinge.**

- 2.1.1 Secure closer body to mounting surface.
  - Use four 1/4"/#14 flat head screws as required.

## 2.2 Securing main arm to door/frame

Fig.4



**Do not hammer arm onto spindle.  
Warranty will be void.**

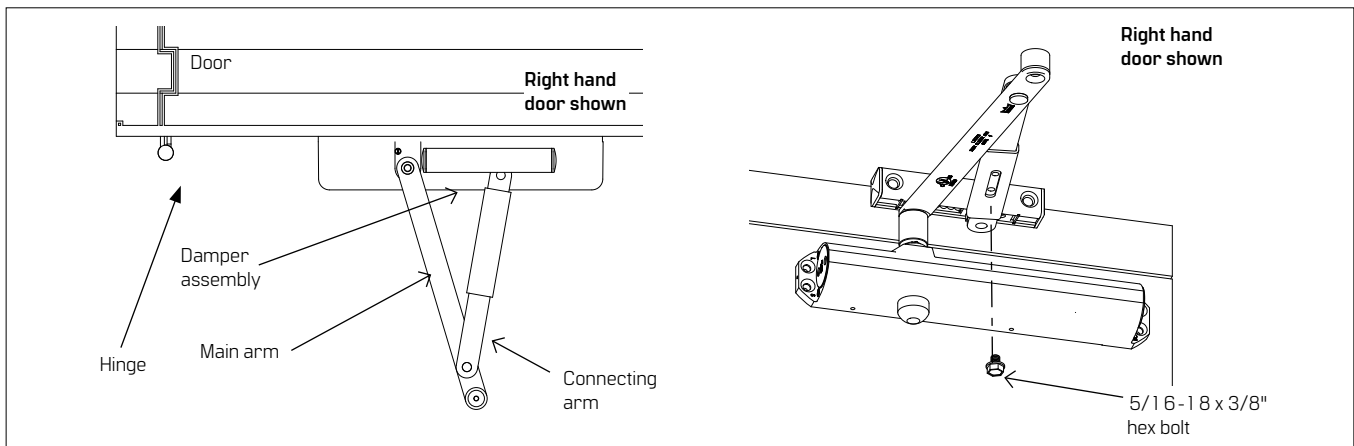
- 2.2.1 Secure adjusting tube to damper.
- Use one 7/8" x 1/2" torx head shoulder bolt provided.
- 2.2.2 Secure damper assembly to frame.
- Use two 5/16" x 2" flat head screws [#20 x 2" flat head wood screws] provided.
- 2.2.3 Secure main arm to operator pinion.
- 2.2.4 Use provided pinion screw [M8 x 30 socket head cap screw].

**NOTE: To disassemble hold open plate:**

- 2.2.5 Remove both screws from bottom of plate using a 3/16" hex key.
- 2.2.6 Keeping all washers in place, flip plate over to orient as per image above.
- 2.2.7 Re-secure plate with both screws.

## 2.3 Securing main arm to closer

Fig.5



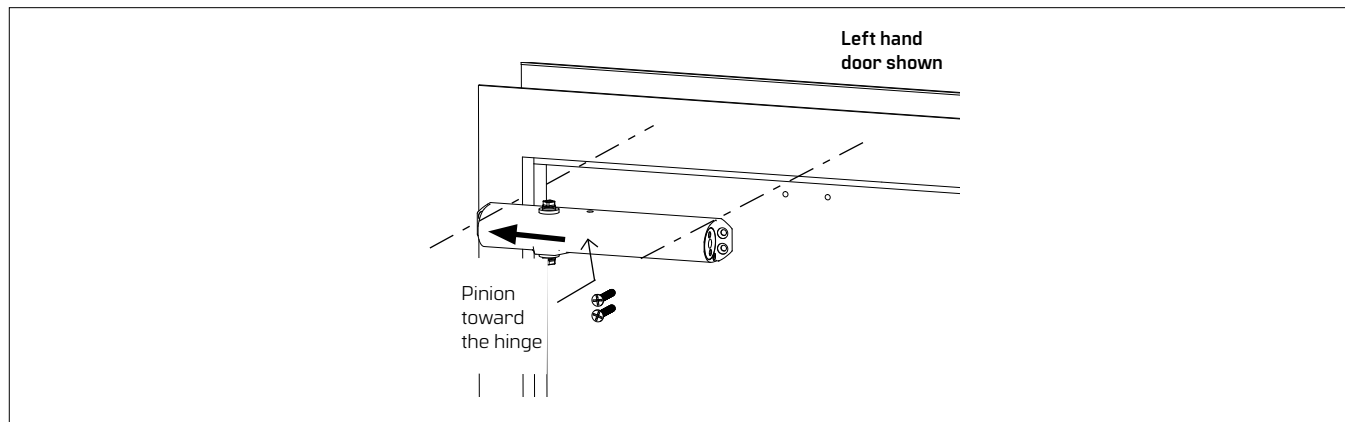
- 2.3.1 Slide end of connecting arm into end of damper assembly.

- 2.3.2 Secure connecting arm and damper assembly.
- 2.3.3 Use provided fastener [5/16-18 x 3/8" hex bolt].

# 3 Instructions - top jamb mount

## 3.1 Installing the surface closer

Fig.6

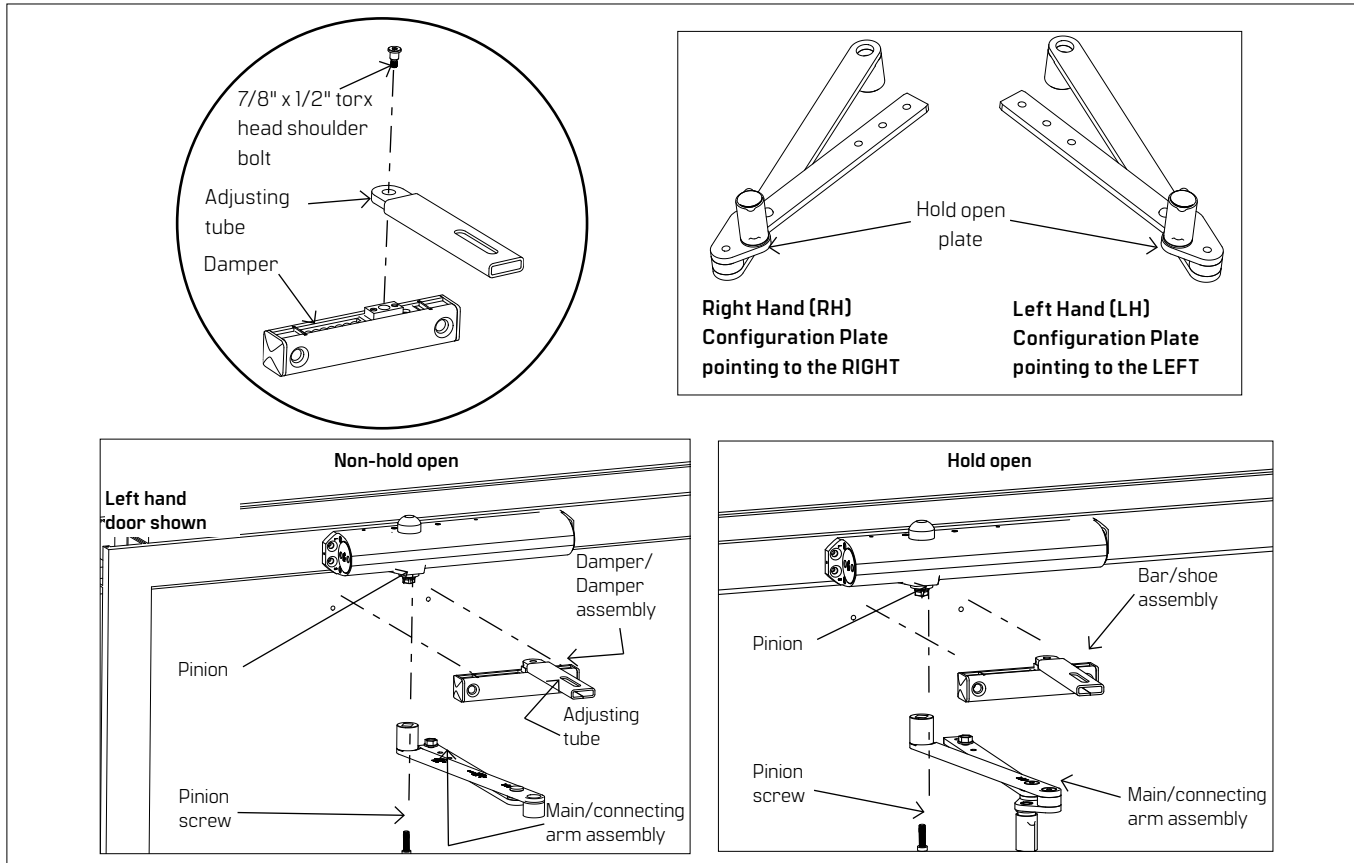


**NOTE:** Orient pinion closest to hinge.

- 3.1.1 Secure closer body to frame.
  - Use four 1/4"/# 1 4 flat head screws as required.

## 3.2 Securing main arm to door/frame

Fig.7



**Do not hammer arm onto spindle.  
Warranty will be void.**

- 3.3.1 Secure adjusting tube to damper.
- Use one 7/8" x 1/2" torx head shoulder bolt provided.
- 3.3.2 Secure damper assembly to door.
- Use two 5/16" x 2" flat head screws [ #20 x 2" flat head wood screws ] provided.

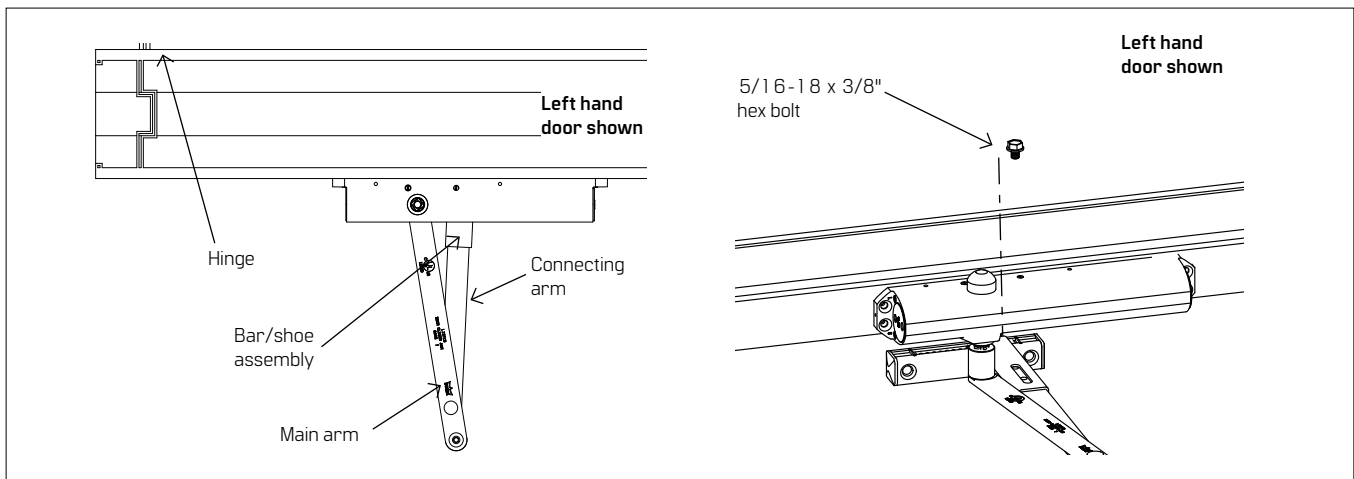
- 3.3.3 Secure main arm to operator pinion.
- Use provided pinion screw [M8 x 30 socket head cap screw].

**NOTE: To disassemble hold open plate:**

- Remove both screws from bottom of plate using a 3/16" hex key.
- Keeping all washers in place, flip plate over to orient as per image above.
- Re-secure plate with both screws.

## 3.3 Securing main arm to closer

Fig.8








- 3.4.1 Slide end of connecting arm into end of damper assembly.

- 3.4.2 Secure connecting arm and bar/shoe assembly.
- 3.4.3 Use provided fastener [5/16-18 x 3/8" hex bolt].



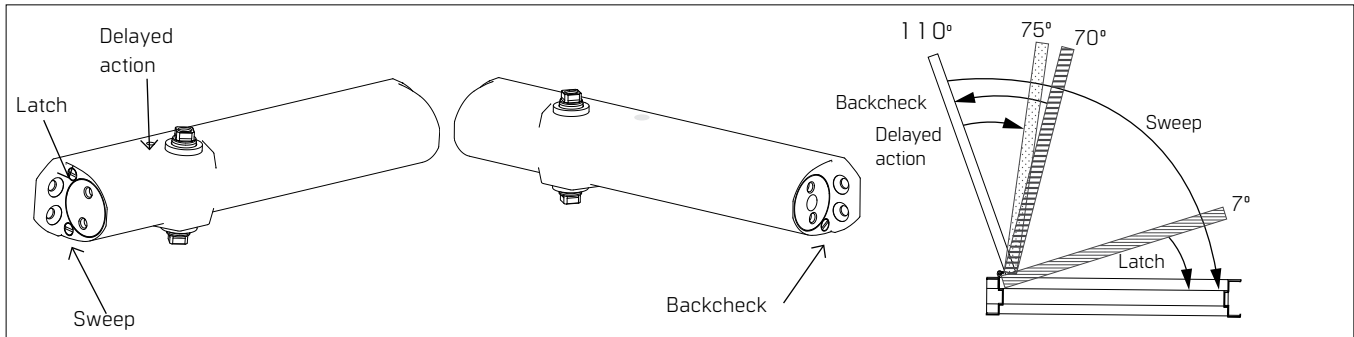
# 4 Adjustments

-  Confirm closer spring size prior to making any closing speed adjustments.
-  Do not back valve heads out beyond closer casting.

-  Maximum opening angle is 110°.
-  Door should close in 3 to 6 seconds from 90°.
-  Do not close valves completely.

## 4.1 Adjust closing speeds: sweep, latch, backcheck, delayed action

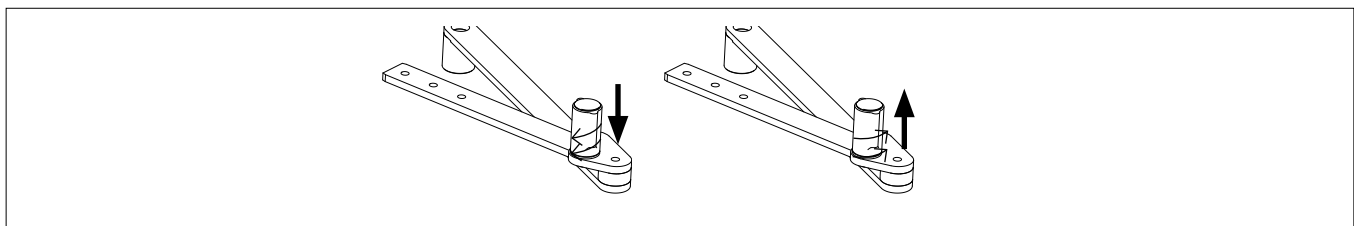
Fig.9



- |   |  |
|---|--|
| <p>4.1.1 Adjust <b>sweep speed</b> for the area from 110°- 7°.</p> <ul style="list-style-type: none"> <li>• Increase sweep speed: Turn valve counter-clockwise.</li> <li>• Decrease sweep speed: Turn valve clockwise.</li> </ul> <p>4.1.2 Adjust <b>latch speed</b> from 7°- 0°.</p> <ul style="list-style-type: none"> <li>• Increase latch speed: Turn valve counter-clockwise.</li> <li>• Decrease latch speed: Turn valve clockwise.</li> </ul> <p>4.1.3 Adjust <b>backcheck</b> for the area from 70°- 110°.</p> <ul style="list-style-type: none"> <li>• Increase resistance: Turn valve clockwise.</li> <li>• Decrease resistance: Turn valve counter-clockwise.</li> </ul> | <p>4.1.4 Adjusting <b>Backcheck positioning</b> will advance approximately 15° in the "ON" position. Shipped from factory fully "ON".</p> <ul style="list-style-type: none"> <li>• Turn OFF: Rotate counter-clockwise.</li> <li>• Turn ON: Rotate clockwise.</li> </ul> <p>4.1.5 Adjust <b>Delayed Action</b> for the are from 110°- 75°.</p> <ul style="list-style-type: none"> <li>• Increase delay: Turn valve clockwise.</li> <li>• Decrease delay: Turn valve counter-clockwise.</li> </ul> |
|---|--|

## 4.2 Adjust hold open (optional)

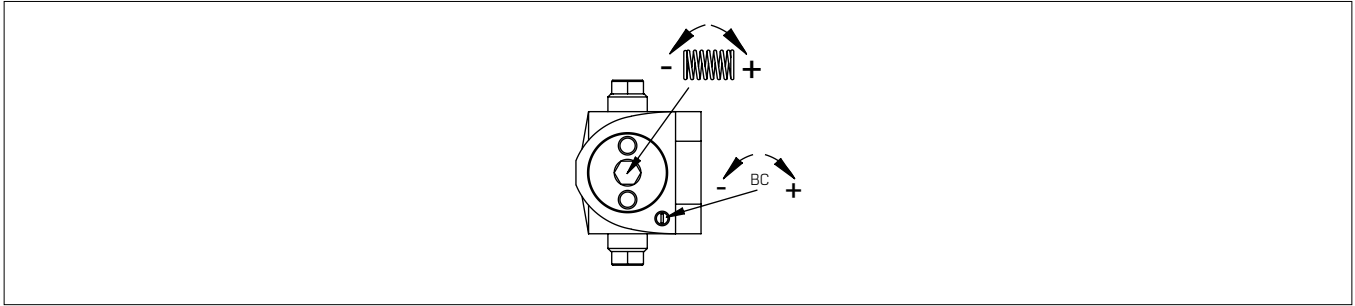
Fig.10



- |   |  |
|---|--|
| <p>4.2.1 Enabling or disabling hold open.</p> <ul style="list-style-type: none"> <li>• Twist hold open handle up or down to loosen or tighten, respectively, the hold open capacity.</li> </ul> | <p>4.2.2 Engaging or disengaging hold open.</p> <ul style="list-style-type: none"> <li>• Engaging hold open: Push door open until hold open ball connects with detent in handle.</li> <li>• Disengaging hold open: Pull door to pop hold open ball out of detent.</li> </ul> |
|---|--|

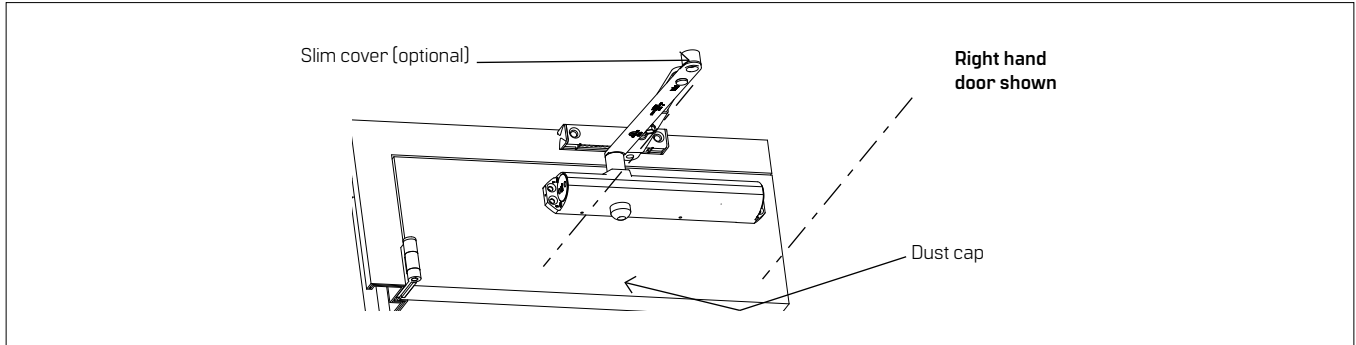
## 4.3 Adjust spring force

Fig.1 1



# 5 Install slim cover (optional)

Fig. 1 2



**NOTE: Full cover ships standard.**

5.1.2 Screw dust cap onto exposed pinion.

5.1.1 Snap cover over closer body.



**For Online Instructions Visit:**  
<https://dhwsupport.dormakaba.com/hc/en-us>  
**For Assistance or Warranty Information:**  
Call 1-800-392-5209 or visit  
<https://dhwsupport.dormakaba.com/hc/en-us>