

SL6000 T/TH, JT/JTH, FT/FTH

Pull side mount (closer on frame, track on door) T/TH

Pull side mount (closer on door, track on frame) JT/JTH

Push side mount (closer on transom, track on door) FT/FTH

Installation Instructions

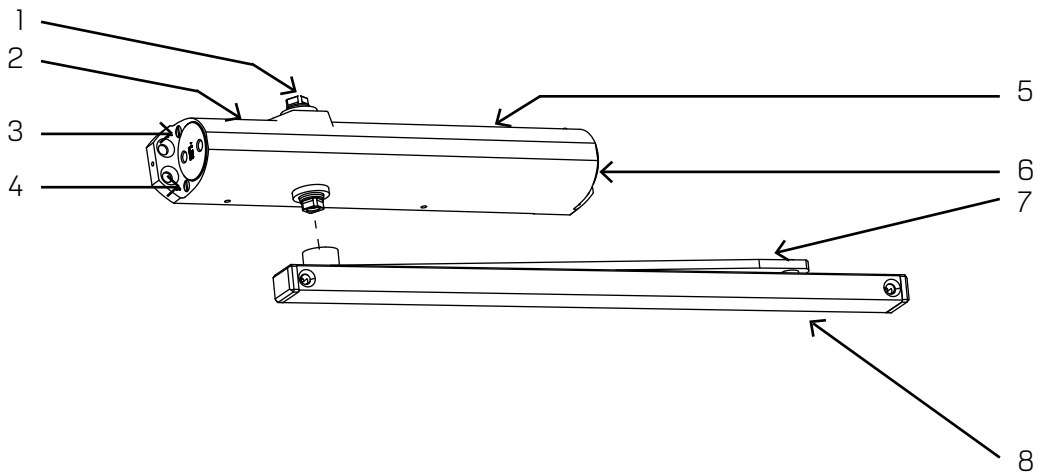


dormakaba Group

OVERVIEW

Surface closer components

[T/TH and FT/FTH image shown below.]



1 Pinion

4 Closing/sweep speed adjustment

7 Track arm

2 Delayed action adjustment

5 Closer body

8 Track channel

3 Latch speed adjustment

6 Backcheck adjustment

9 Backplate [optional, not shown]

Table of contents

1	Technical specifications	3
1.1	Overview	3
1.2	Tools recommended	3
1.3	Handing the door	3
2	Instructions - track mount (T)	4
2.1	Installing [optional] plate and surface closer	4
2.2	Assemble and secure track	4
2.3	Securing main arm to closer	4
3	Instructions - jamb track mount (JT)	5
3.1	Installing [optional] plate and surface closer	5
3.2	Assemble and secure track	5
3.3	Securing main arm to closer	5
4	Instructions - flush transom mount (FT)	6
4.1	Installing surface closer	6
4.2	Assemble and secure track	6
4.3	Securing main arm to closer	6
5	Adjustments	7
5.1	Adjust closing speeds: sweep, latch, backcheck, delayed action	7
5.2	Adjust hold open [optional]	7
5.3	Adjust spring force	8
6	Install cover [optional]	8

1. Technical specifications

1.1 Overview



Caution: sex nuts are required for attachment of components to unreinforced doors and to wood or plastic faced composite type fire doors, unless an alternative method is identified in the individual door manufacturer's listings.



T arm only: maximum door opening degree is 180°.



Arrow on backplate points upward.



Hold open range is from 80° to 145° with optional hold open kit.



Know the swing of the door which is being installed prior to installation.



Verify closer spring size prior to installation.



Make sure door efficiently operates prior to installing closer.



Do not hammer arm onto spindle. Warranty will be void.

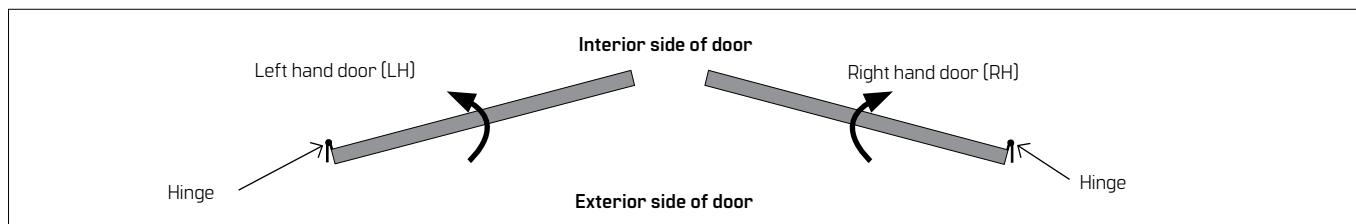
1.2 Tools recommended

Table 1

Drill bits:	#3 Phillips screwdriver
Metal: 7/32" drill bit; 1/4-20 tap	3/16" flat head screwdriver
Wood: 3/8" and 5/32" bit	2.5, 5, 6 mm hex key
7/16", 1/2" box wrench	

1.3 Handing the door

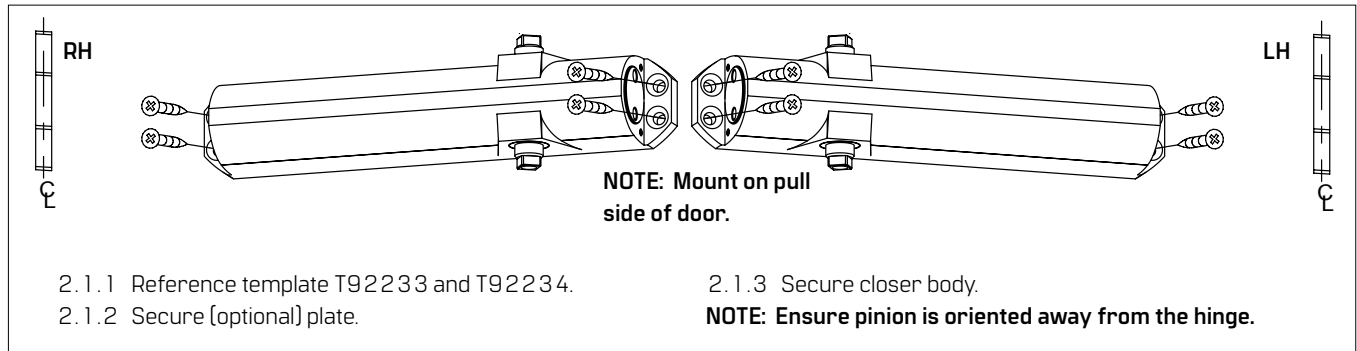
Fig. 1



2 Instructions - track mount (T)

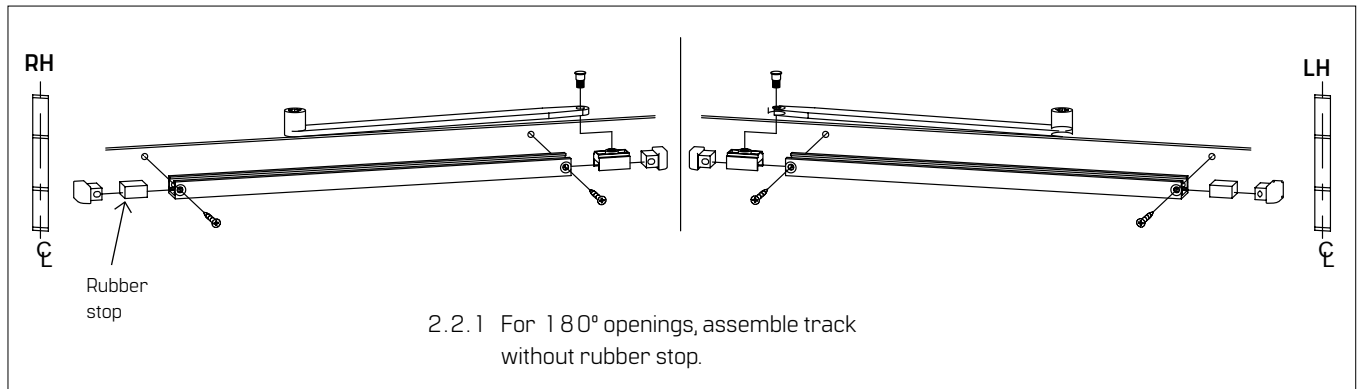
2.1 Installing [optional] plate and surface closer

Fig.2



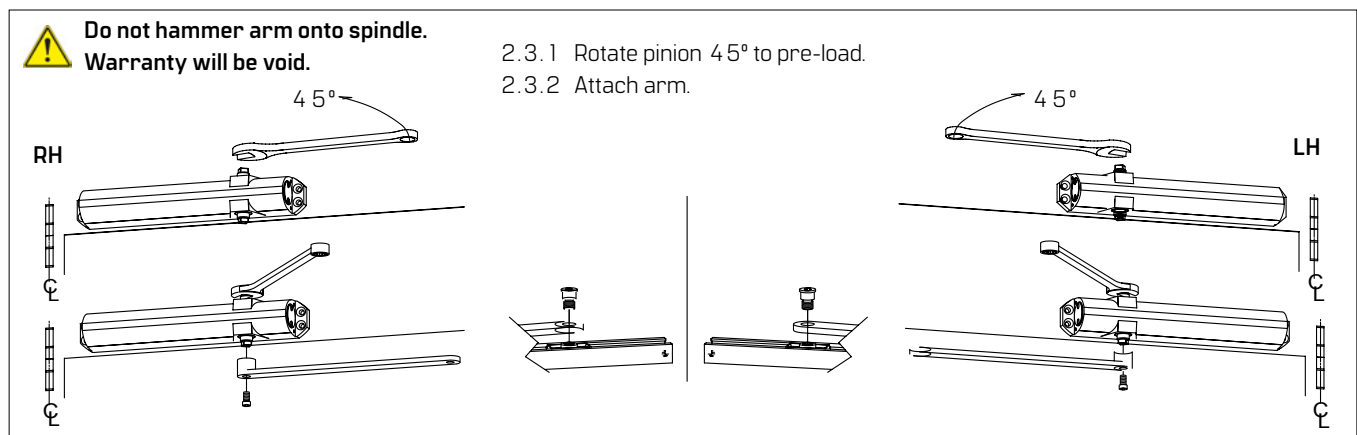
2.2 Assemble and secure track

Fig.3



2.3 Securing main arm to closer

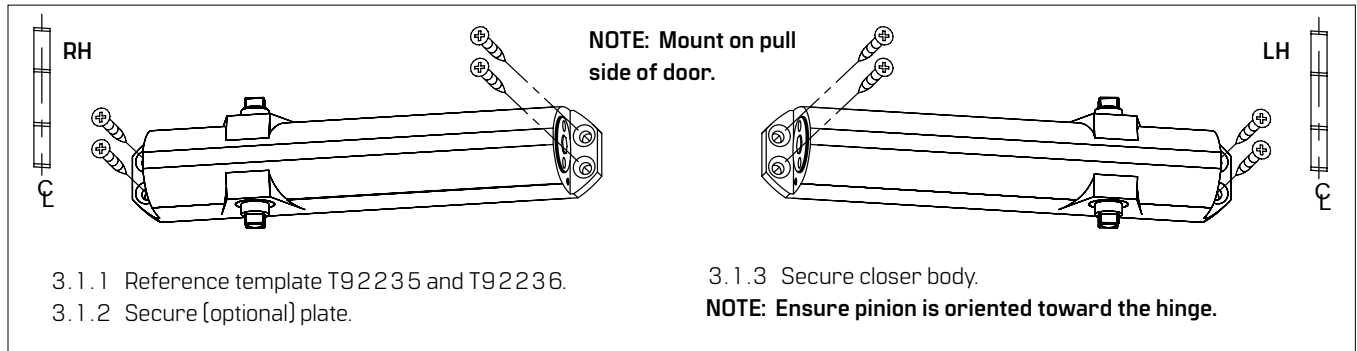
Fig.4



3 Instructions - jamb track mount (JT)

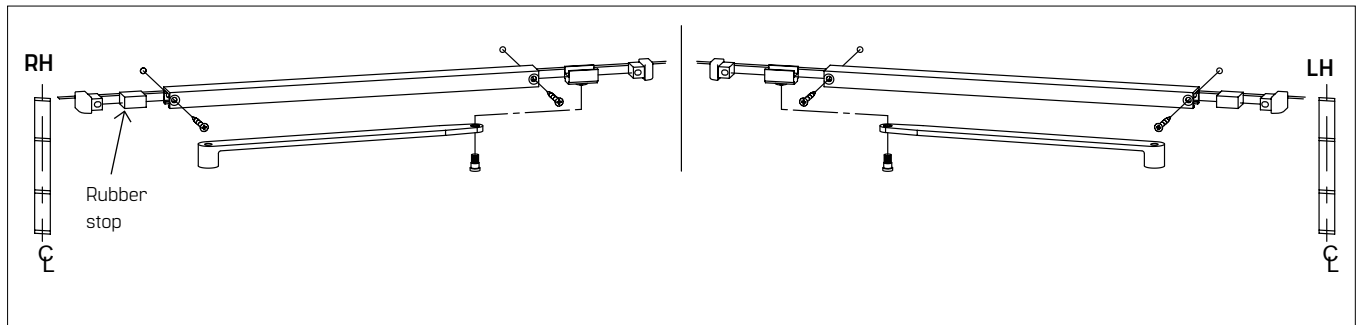
3.1 Installing [optional] plate and surface closer

Fig.5



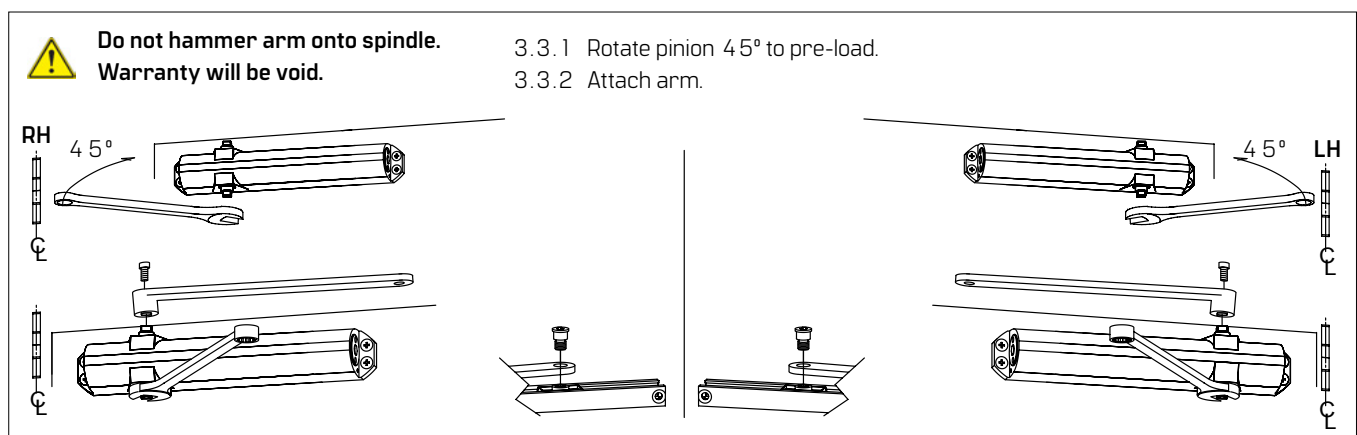
3.2 Assemble and secure track

Fig.6



3.3 Securing main arm to closer

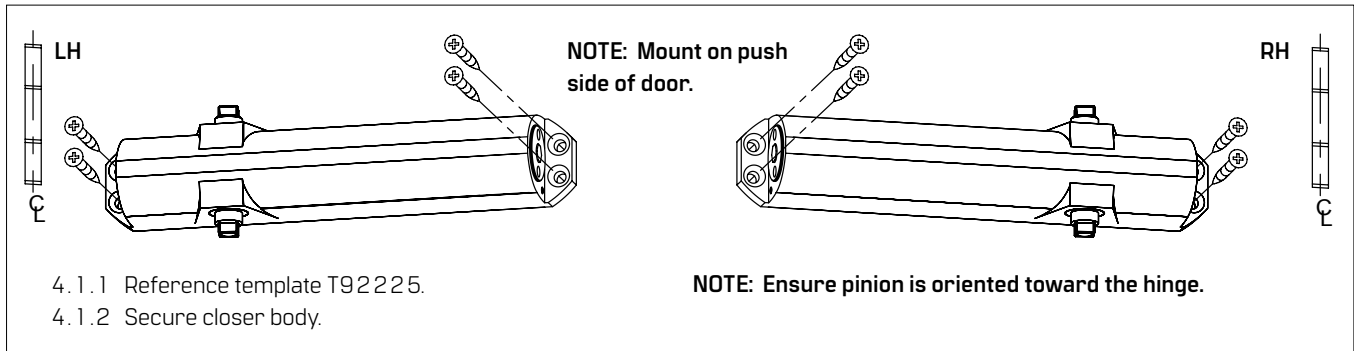
Fig.7



4 Instructions - flush transom mount (FT)

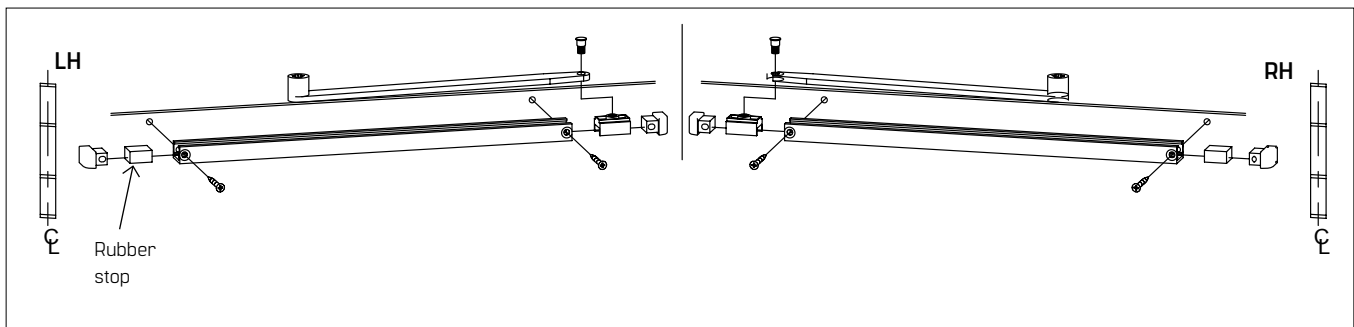
4.1 Installing surface closer

Fig.8



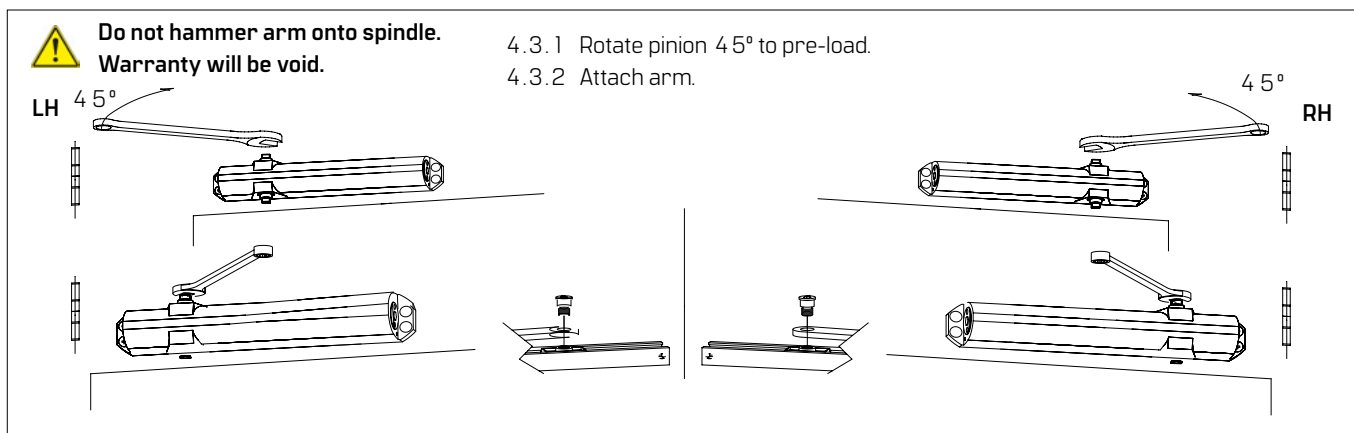
4.2 Assemble and secure track

Fig.9



4.3 Securing main arm to closer

Fig.10



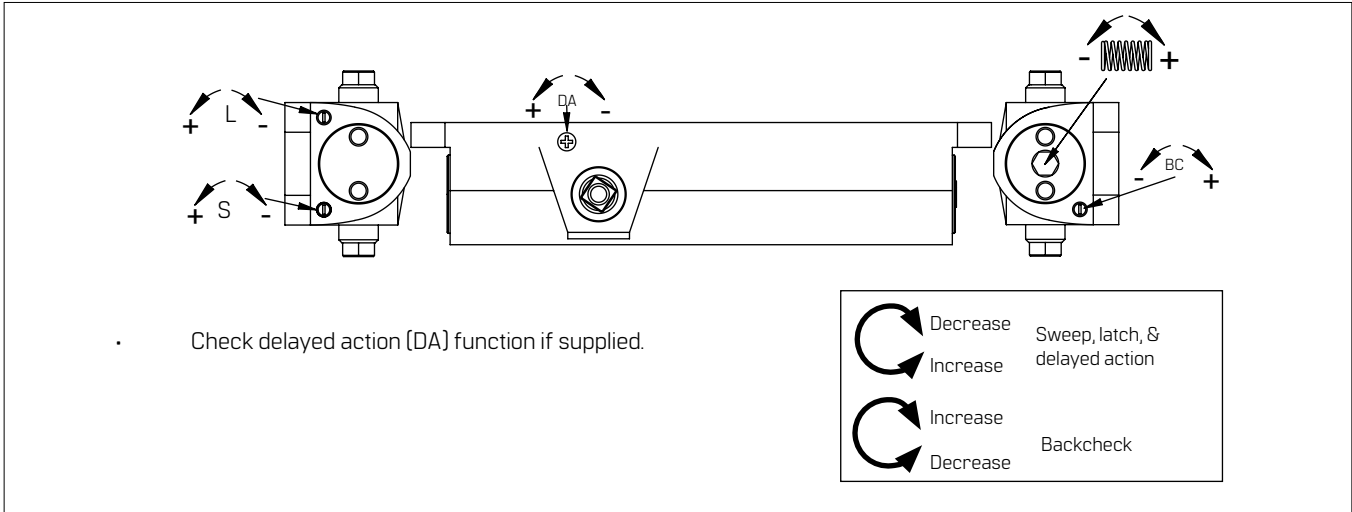
5 Adjustments

- ⚠ Confirm closer spring size prior to making any closing speed adjustments.
- ⚠ Do not back valve heads out beyond closer casting.

- ⚠ T arm only: maximum opening angle is 180°.
- ⚠ Door should close in 3 to 6 seconds from 90°.
- ⚠ Do not close valves completely.

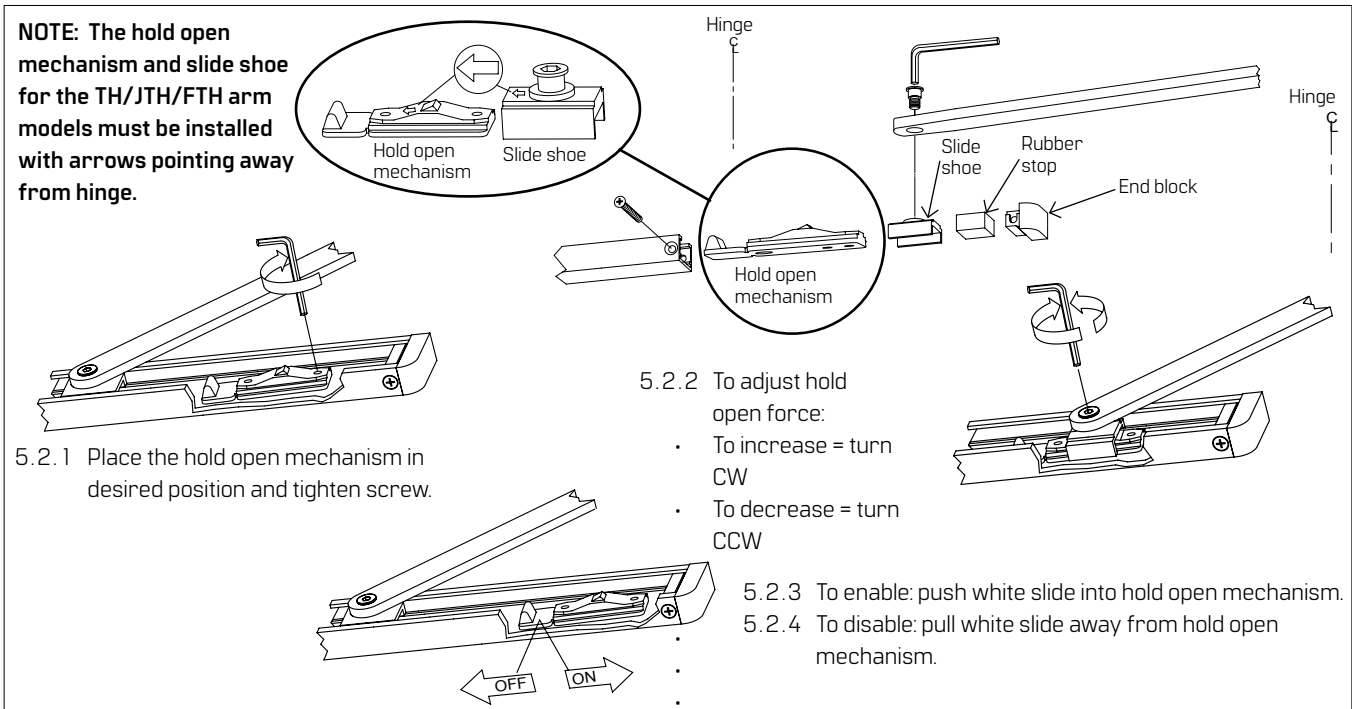
5.1 Adjust closing speeds: sweep, latch, backcheck, delayed action

Fig.1 1



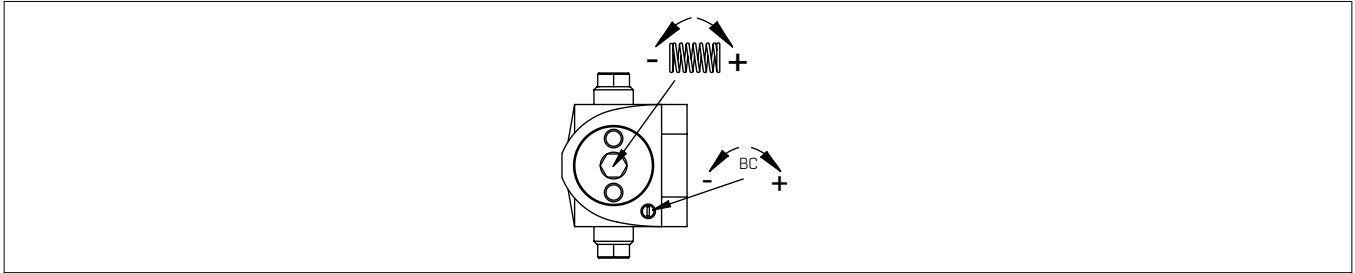
5.2 Adjust hold open (optional)

Fig.1 2



5.3 Adjust spring force

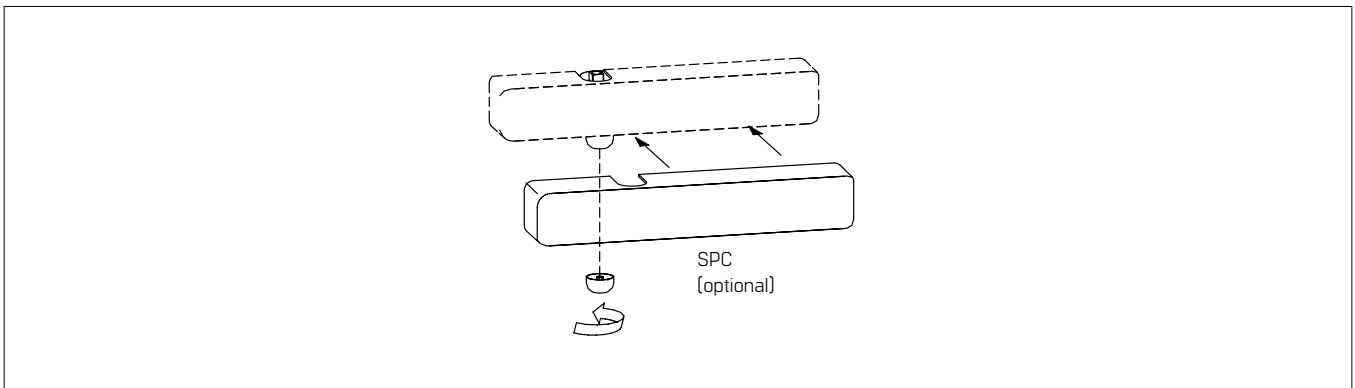
Fig.1 3



Track Mount				
	Closer size	Max door weight (lbs)	Door width	Full turns
			Interior	
SL6036	4	100	2' - 6"	+4
	5	125	3'	+8
	6	150	3' - 6"	+12

6 Install cover (optional)

Fig.1 4



For Online Instructions Visit:
<https://dhwsupport.dormakaba.com/hc/en-us>
For Assistance or Warranty Information:
Call 1-800-392-5209 or visit
<https://dhwsupport.dormakaba.com/hc/en-us>