

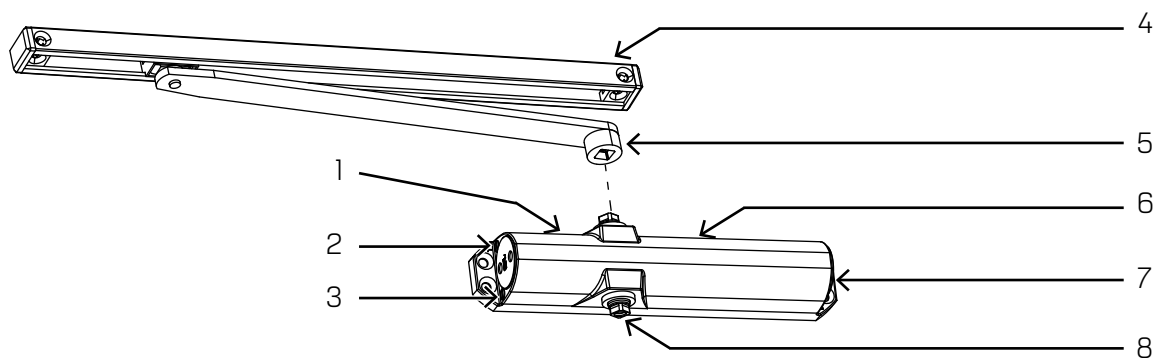
SL6000 PT/PTH

Track installation push side mount
and drop plate DP60

Installation Instructions

OVERVIEW

Surface closer components



1 Delayed action adjustment

4 Track channel

7 Backcheck adjustment

2 Latch speed adjustment

5 Track arm

8 Pinion

3 Closing/sweep speed
adjustment

6 Closer body

9 Backplate [optional, not shown]

Table of contents

1	Technical specifications	4
1.1	Overview	4
1.2	Tools recommended	4
1.3	Handing the door	4
2	Instructions - track mount	5
2.1	Installing drop plate (optional) and surface closer	5
2.2	Assemble and secure track	5
2.3	Securing main arm to closer	5
3	Adjustments	6
3.1	Adjust closing speeds: sweep, latch, backcheck, delayed action	6
3.2	Adjust hold open (optional)	6
3.3	Adjust spring force	7
4	Install cover (optional)	7

1 Technical specifications

1.1 Overview



Caution: sex nuts are required for attachment of components to unreinforced doors and to wood or plastic faced composite type fire doors, unless an alternative method is identified in the individual door manufacturer's listings.



Maximum door opening degree is 100°.



Arrow on backplate points upward.



Know the swing of the door which is being installed prior to installation.



Verify closer spring size prior to installation.



Make sure door efficiently operates prior to installing closer.



Do not hammer arm onto spindle.
Warranty will be void.

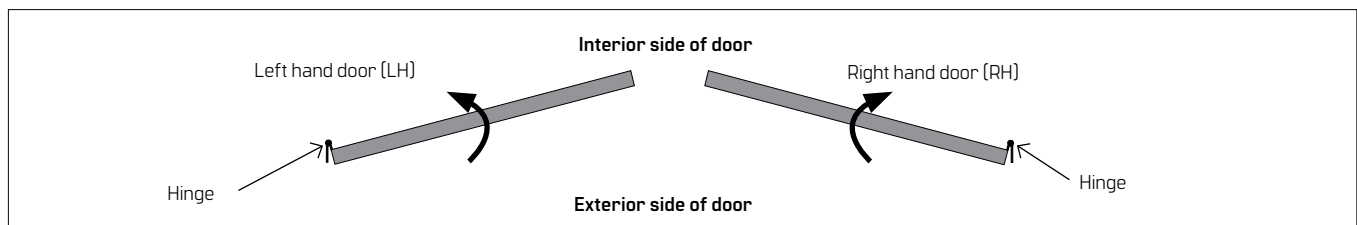
1.2 Tools recommended

Table 1

Drill bits:	#3 Phillips screwdriver
Metal: 7/32" drill bit; 1/4-20 tap	3/16" flat head screwdriver
Wood: 3/8" and 5/32" bit	2.5, 5, 6 mm hex key
7/16" & 1/2" box wrench	

1.3 Handing the door

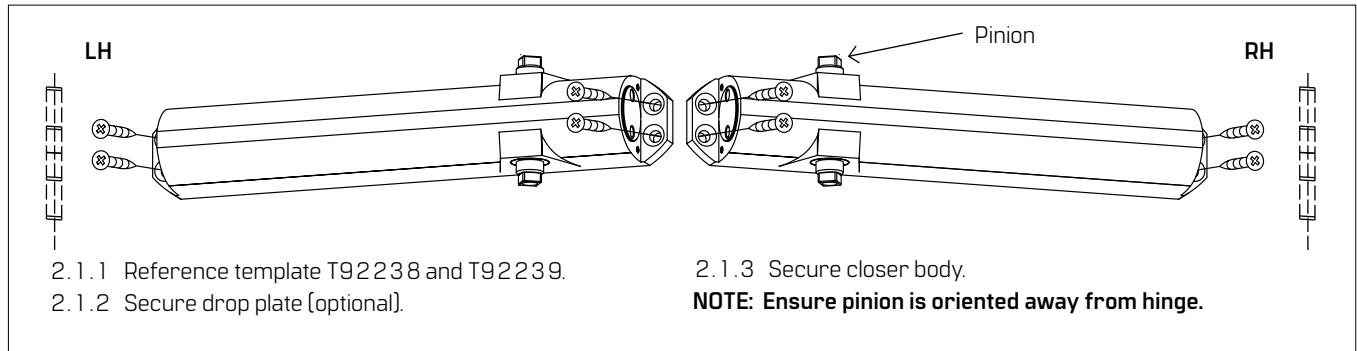
Fig. 1



2 Instructions - track mount

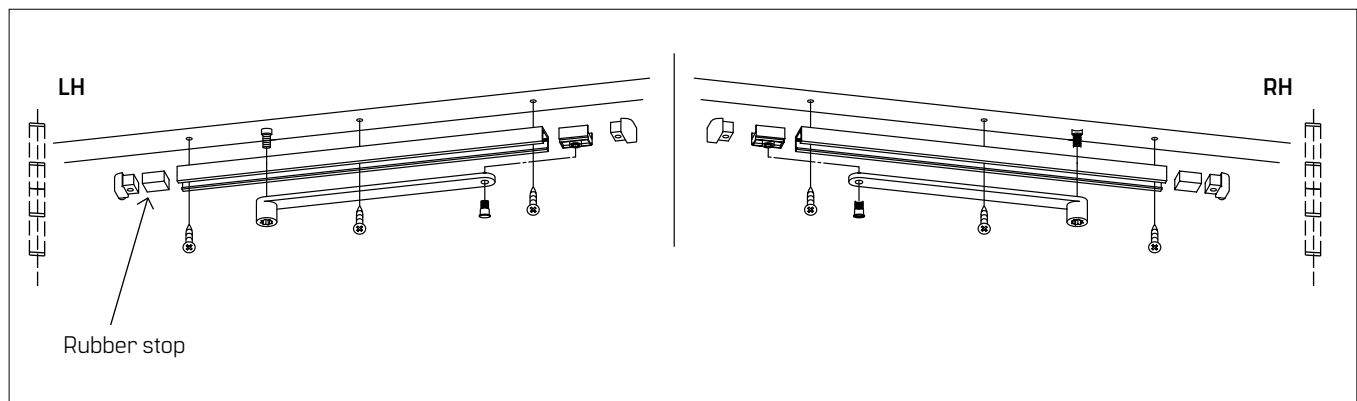
2.1 Installing drop plate (optional) and surface closer

Fig.2



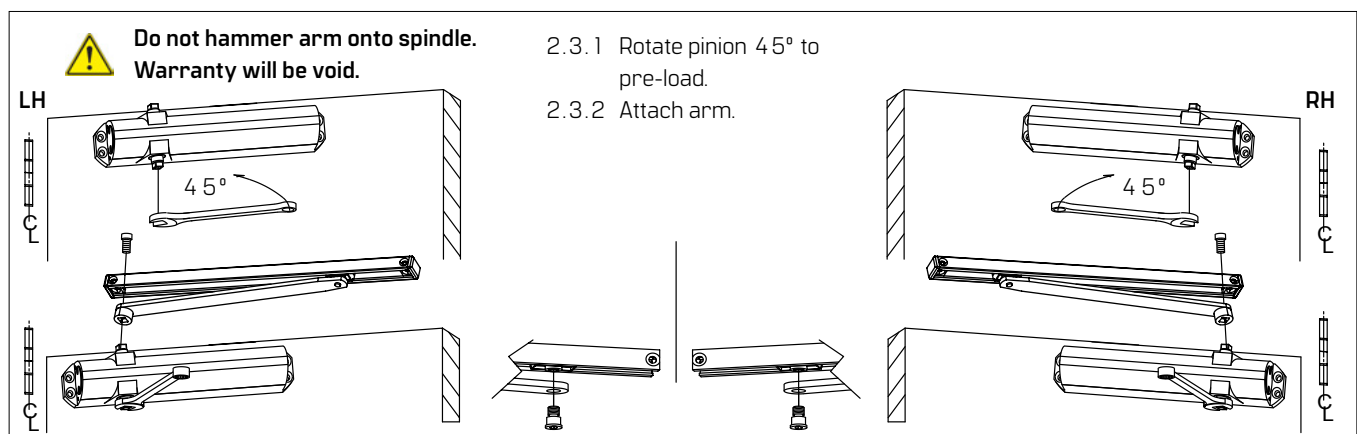
2.2 Assemble and secure track

Fig.3



2.3 Securing main arm to closer

Fig.4



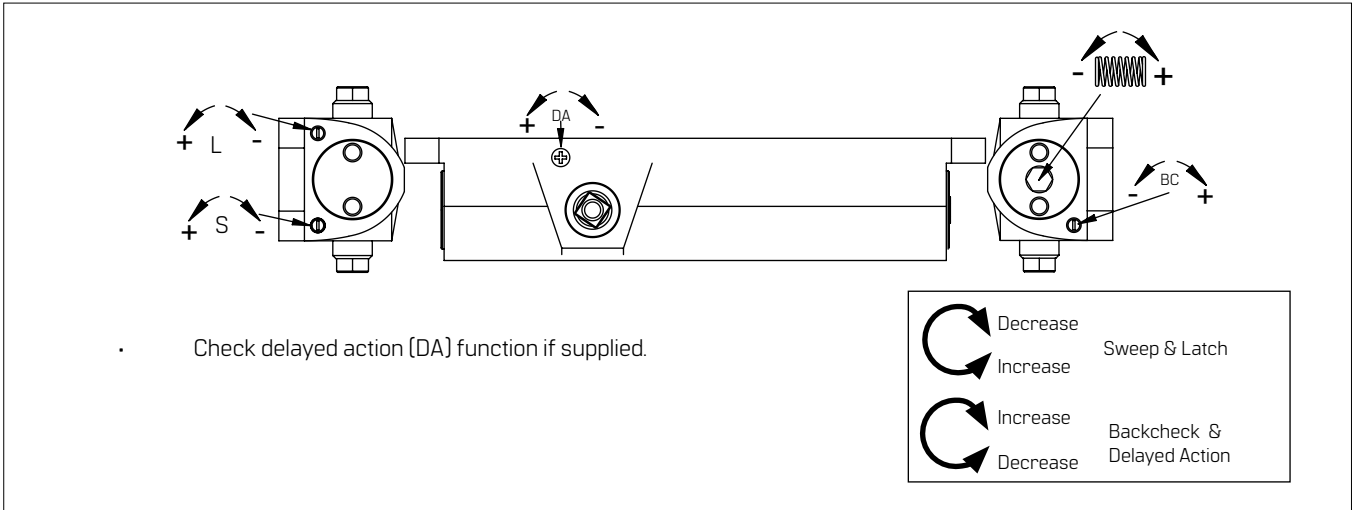
3 Adjustments

- ⚠ Confirm closer spring size prior to making any closing speed adjustments.
- ⚠ Do not back valve heads out beyond closer casting.

- ⚠ Maximum opening angle is 100°.
- ⚠ Door should close in 3 to 6 seconds from 90°.
- ⚠ Do not close valves completely.

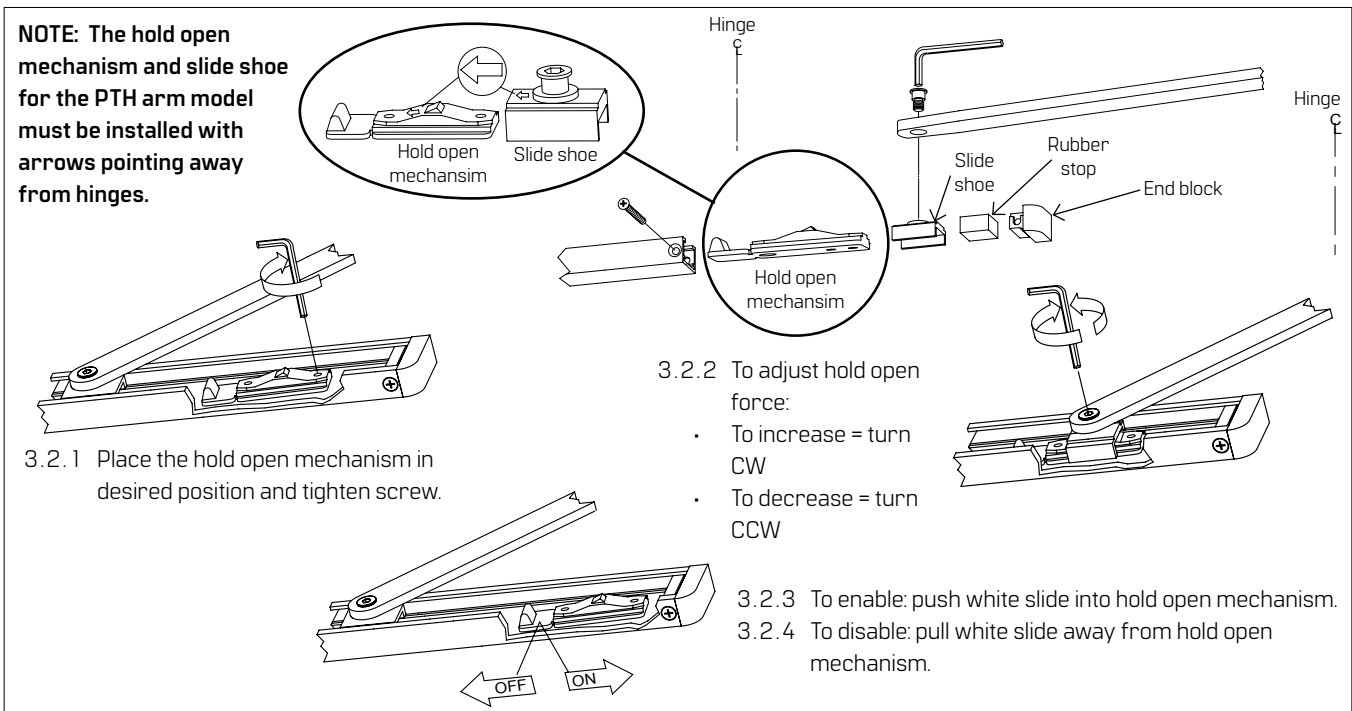
3.1 Adjust closing speeds: sweep, latch, backcheck, delayed action

Fig.5



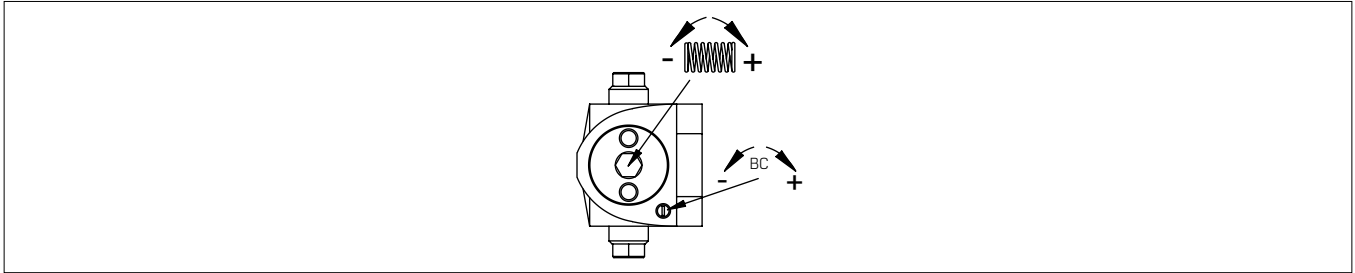
3.2 Adjust hold open (optional)

Fig.6



3.3 Adjust spring force

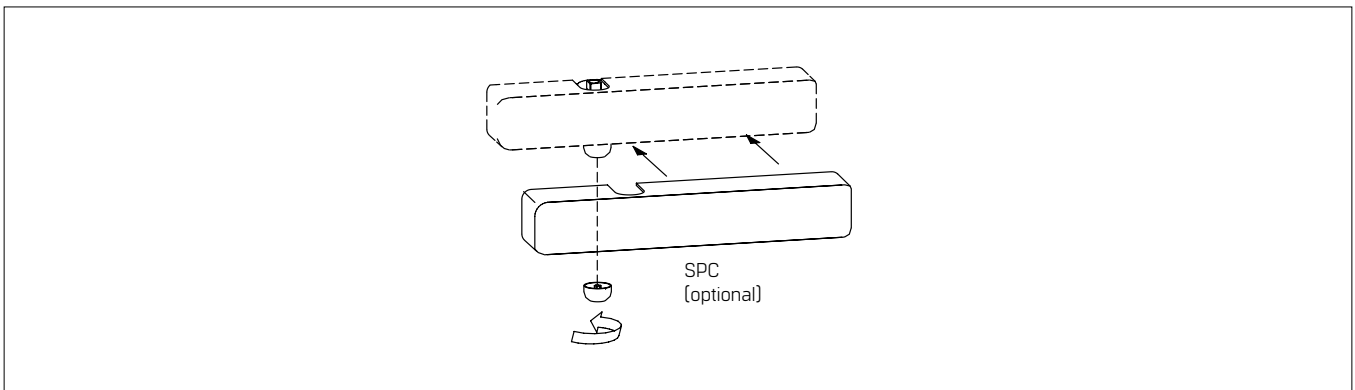
Fig.7



Track mount				
	Closer size	Max door weight (lbs)	Door width	Full turns
			Interior	
SL6036	4	100	2'-6"	+4
	5	125	3'	+8
	6	150	3'-6"	+12

4 Install cover (optional)

Fig.8





For Online Instructions Visit:
<https://dhwsupport.dormakaba.com/hc/en-us>
For Assistance or Warranty Information:
Call 1-800-392-5209 or visit
<https://dhwsupport.dormakaba.com/hc/en-us>