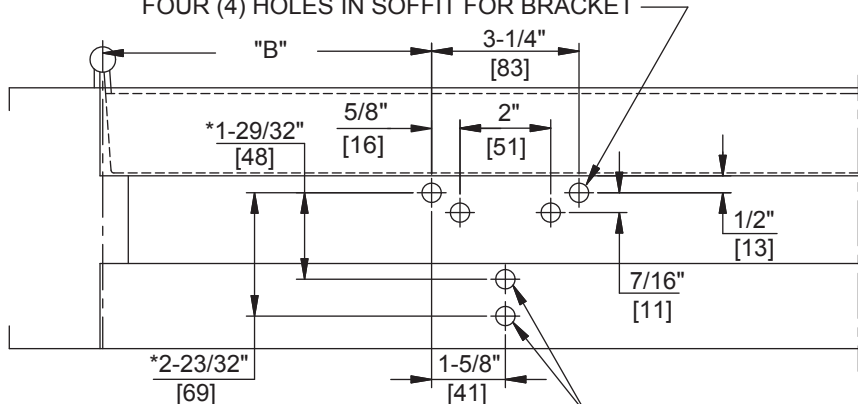


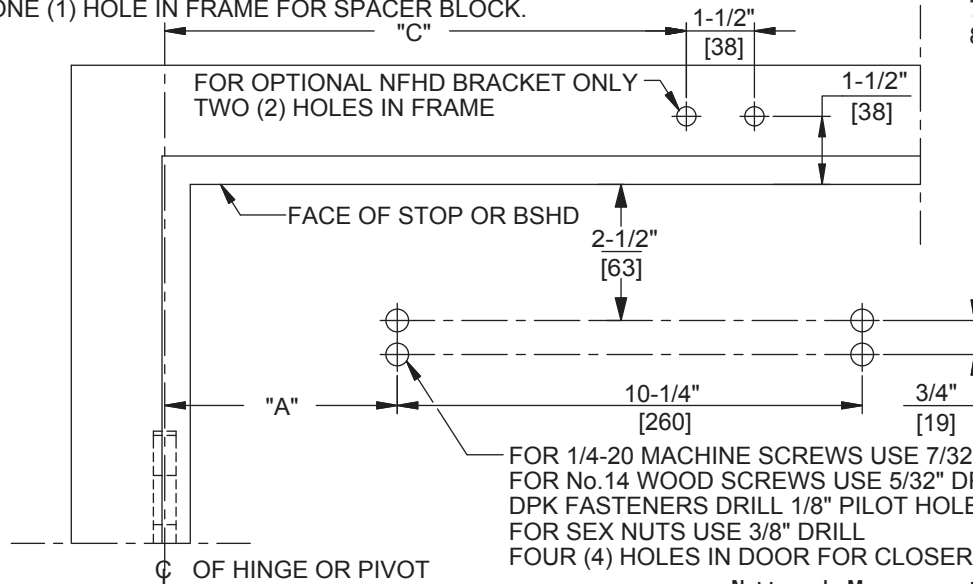
Door Closer Models: SL6014, SL6036 SPA, SPAT Super Parallel Arm Installation [Push Side Mount] with Standard Spacer Block Optional NFHD Bracket and BSHD Blade Stop Spacer Block Drilling Instructions

For online instructions, assistance or warranty information:
Call 1-800-392-5209 or visit <https://dhwsupport.dormakaba.com/hc/en-us>

FOR 1/4-20 MACHINE SCREWS USE 7/32" DRILL & TAP
FOR No.14 WOOD SCREWS USE 5/32" DRILL
DPK FASTENERS DRILL 1/8" PILOT HOLE
FOUR (4) HOLES IN SOFFIT FOR BRACKET



*IMPORTANT: CHOOSE APPROPRIATE HOLE LOCATION
FOR SPACER BLOCK, IN ACCORDANCE WITH FRAME WIDTH.
ONE (1) HOLE IN FRAME FOR SPACER BLOCK.



FOR 1/4-20 MACHINE SCREWS USE 7/32" DRILL & TAP
FOR No.14 WOOD SCREWS USE 5/32" DRILL
DPK FASTENERS DRILL 1/8" PILOT HOLE
FOR SEX NUTS USE 3/8" DRILL
FOUR (4) HOLES IN DOOR FOR CLOSER

Not to scale. Measurements are for reference only.
Not a drilling template.

ANGLE OF OPENING HOLD OPEN	DIM. "A" CLOSER	DIM. "B" SOFFIT PLATE	DIM. "C" (NFHD) BRACKET OPTIONAL
TO 100° H.O. 90°	6-5/8" [168]	10-1/8" [257]	11" [279]
TO 180° H.O. 125°	3" [76]	6-1/2" [165]	7-3/8" [187]

NOTES:

- DO NOT SCALE DRAWING.
- DIMENSIONS ARE IN INCHES/(MM).
- LEFT HAND DOOR SHOWN.
- CAUTION: SEX NUTS ARE REQUIRED FOR ATTACHMENT OF COMPONENTS TO UNREINFORCED DOORS AND TO WOOD OR PLASTIC FACED COMPOSITE TYPE FIRE DOORS, UNLESS AN ALTERNATIVE METHOD IS IDENTIFIED IN THE INDIVIDUAL DOOR MANUFACTURER'S LISTINGS.
- FOR FRAME WIDTHS 4-1/2" AND LESS USE OPTIONAL (NFHD) BRACKET.
- MINIMUM DOOR WIDTH 26".
- TEMPLATE BASED ON 4-1/2" x 4-1/2" BUTT HINGES.
- DPK FASTENERS FOR STEEL DOOR & FRAME ONLY.

