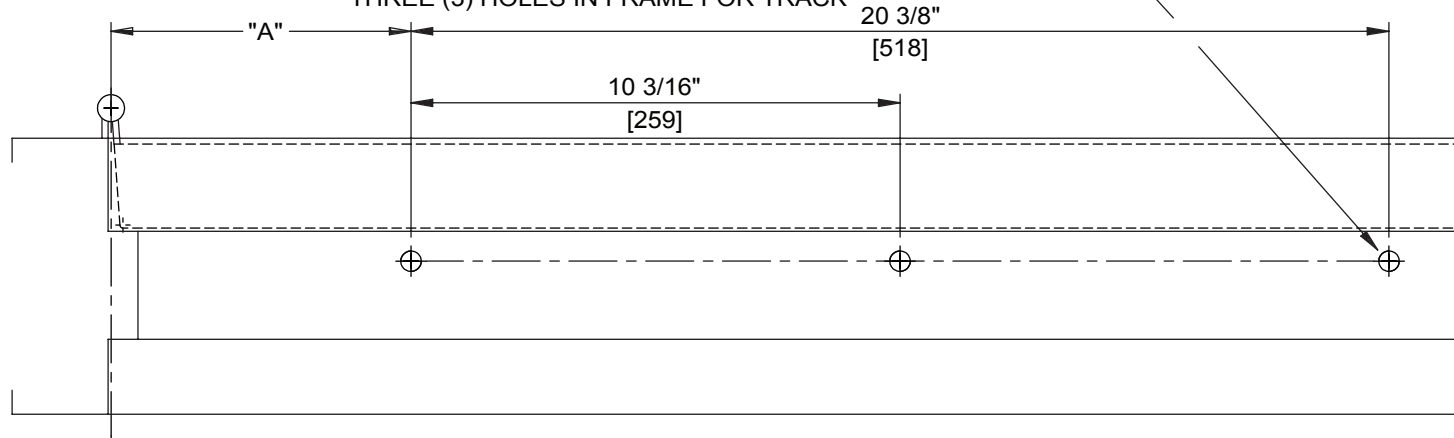


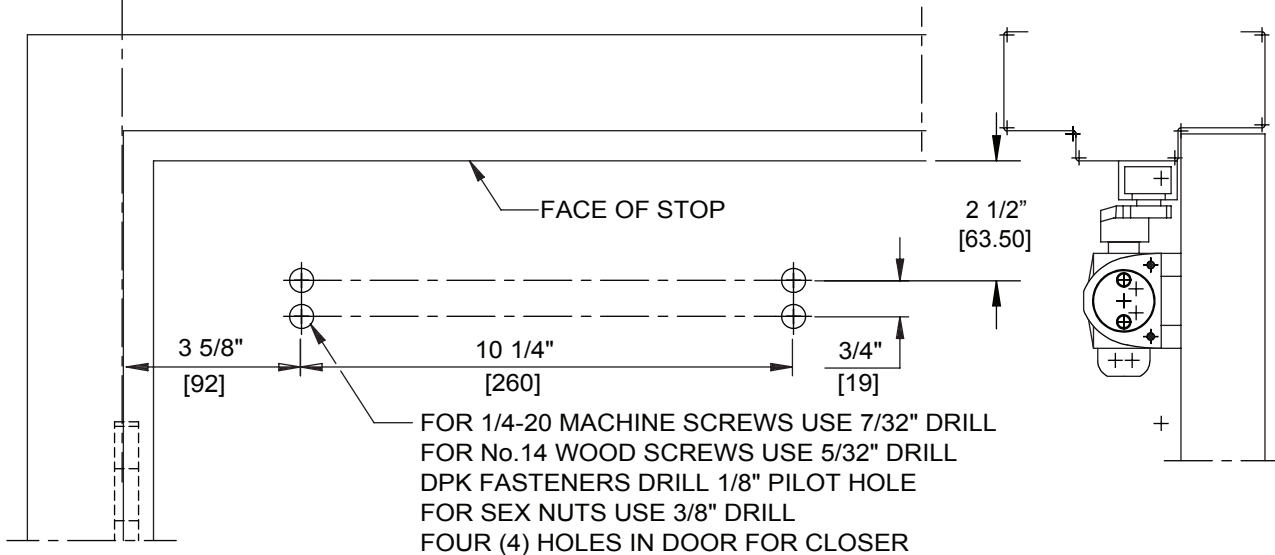
**Door Closer Models: SL6014, SL6036 PT, PTH
Parallel Track Installation (Push Side Mount)
Drilling Instructions**

For online instructions, assistance or warranty information:
Call 1-800-392-5209 or visit <https://dhwsupport.dormakaba.com/hc/en-us>

FOR 1/4-20 MACHINE SCREWS USE 7/32" DRILL
FOR No.14 WOOD SCREWS USE 5/32" DRILL
DPK FASTENERS DRILL 1/8" PILOT HOLE
THREE (3) HOLES IN FRAME FOR TRACK



ANGLE OF OPENING	DIM. "A" TRACK	HOLD OPEN RANGE
85°	9-7/8" (251)	30°-82°
90°	8-1/4" (209)	30°-87°
100°	6-1/4" (159)	30°-97°



NOTES:

1. DO NOT SCALE DRAWING.
2. DIMENSIONS ARE IN INCHES/(MM).
3. LEFT HAND DOOR SHOWN.
4. CAUTION: SEX NUTS ARE REQUIRED FOR ATTACHMENT OF COMPONENTS TO UNREINFORCED DOORS AND TO WOOD OR PLASTIC FACED COMPOSITE TYPE FIRE DOORS, UNLESS AN ALTERNATIVE METHOD IS IDENTIFIED IN THE INDIVIDUAL DOOR MANUFACTURER'S LISTINGS.
5. MAX. OPENING IS 100°.
6. DPK FASTENERS FOR STEEL DOOR & FRAME ONLY.

☉ OF HINGE OR PIVOT