

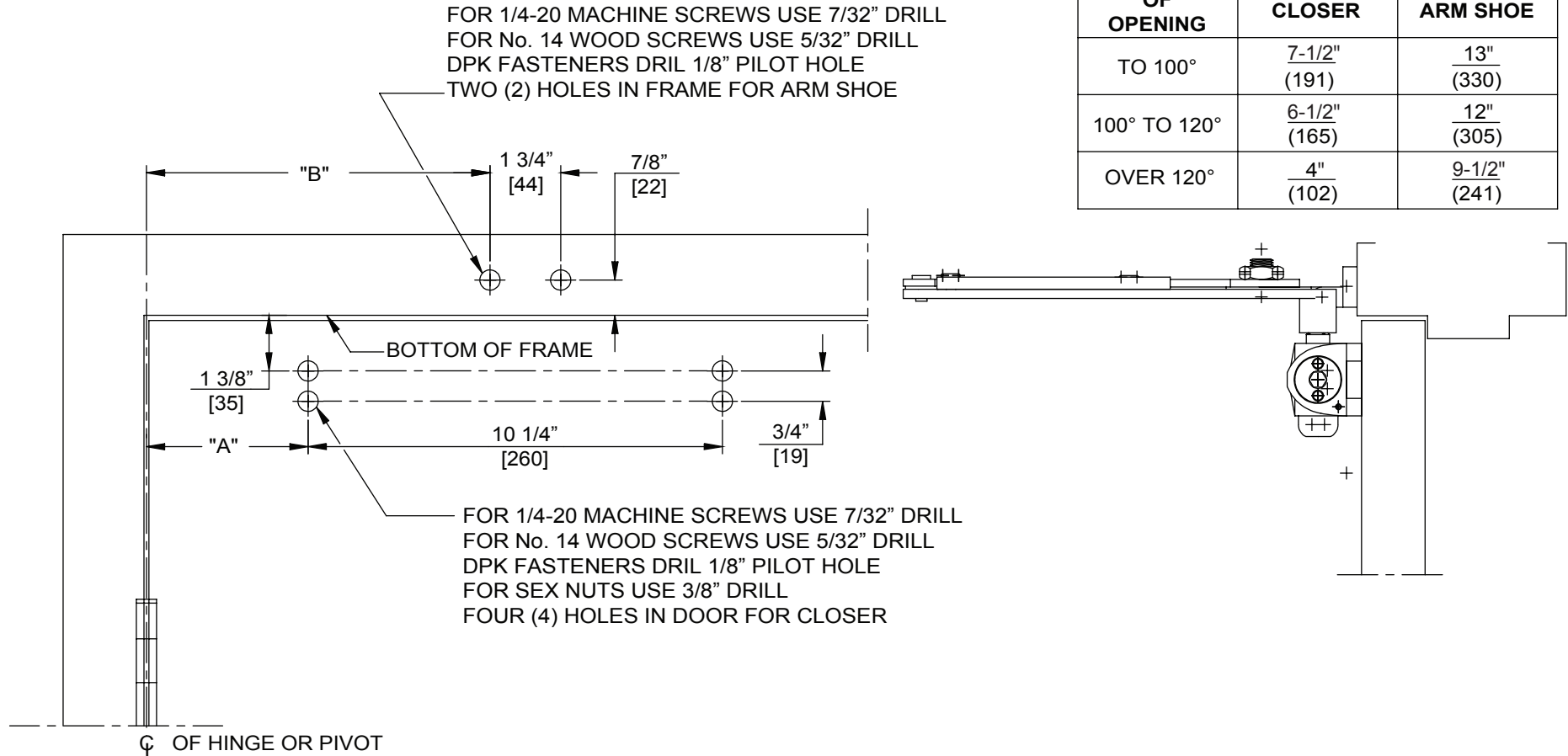
Door Closer Models: SL6014, SL6036 FH
Regular Installation (Pull Side Mount)
Drilling Instructions



dormakaba Group

For online instructions, assistance or warranty information:
 Call 1-800-392-5209 or visit <https://dhwsupport.dormakaba.com/hc/en-us>

ANGLE OF OPENING	DIM. "A" CLOSER	DIM. "B" ARM SHOE
TO 100°	7-1/2" (191)	13" (330)
100° TO 120°	6-1/2" (165)	12" (305)
OVER 120°	4" (102)	9-1/2" (241)



NOTES:

- DO NOT SCALE DRAWING.
- DIMENSIONS ARE IN INCHES/(MM).
- RIGHT HAND DOOR SHOWN.
- CAUTION: SEX NUTS ARE REQUIRED FOR ATTACHMENT OF COMPONENTS TO UNREINFORCED DOORS AND TO WOOD OR PLASTIC FACED COMPOSITE TYPE FIRE DOORS, UNLESS AN ALTERNATIVE METHOD IS IDENTIFIED IN THE INDIVIDUAL DOOR MANUFACTURER'S LISTINGS.
- MAX. OPENING IS 180°.
- DPK FASTENERS FOR STEEL DOOR & FRAME ONLY.