

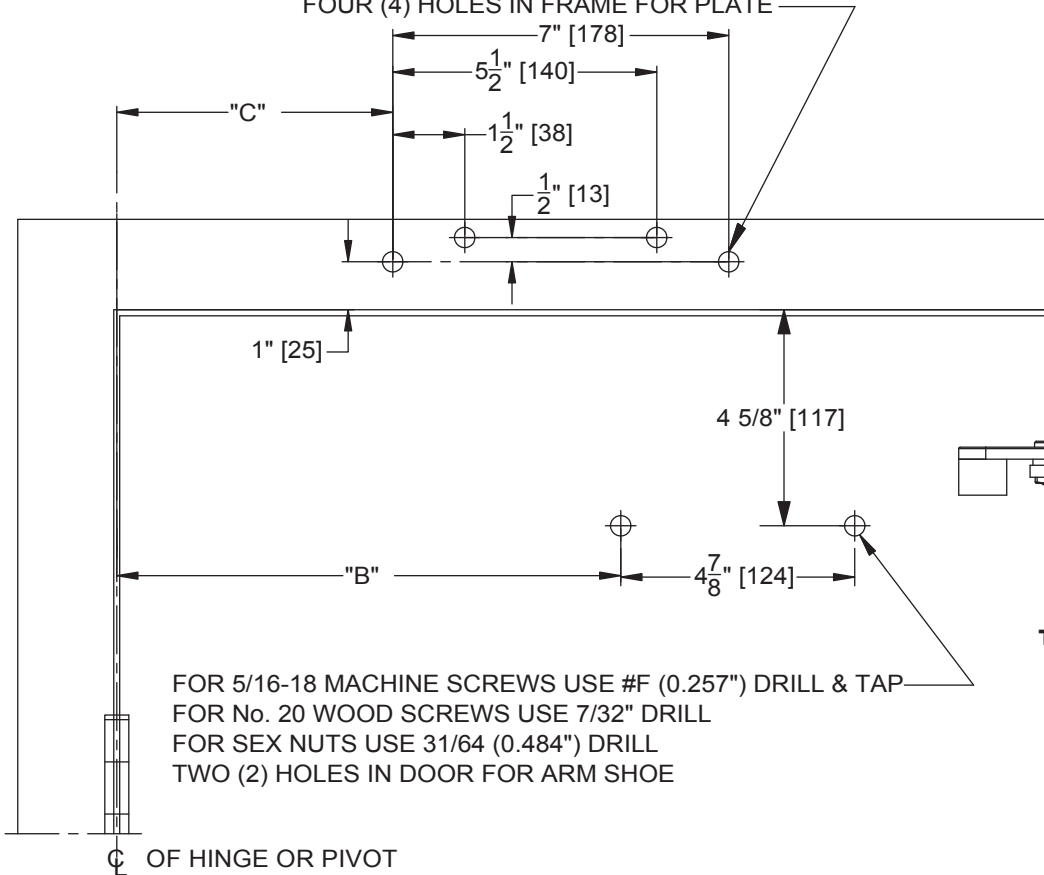
**Door Closer Models: SL6014, SL6036 S-ISJ & S-ISJH (Spring Integra Stop Arm)
Top Jamb Installation (Push Side Mount) with Plate DP60
Drilling Instructions**

For online instructions, assistance or warranty information:
Call 1-800-392-5209 or visit <https://dhwsupport.dormakaba.com/hc/en-us>

NOTES:

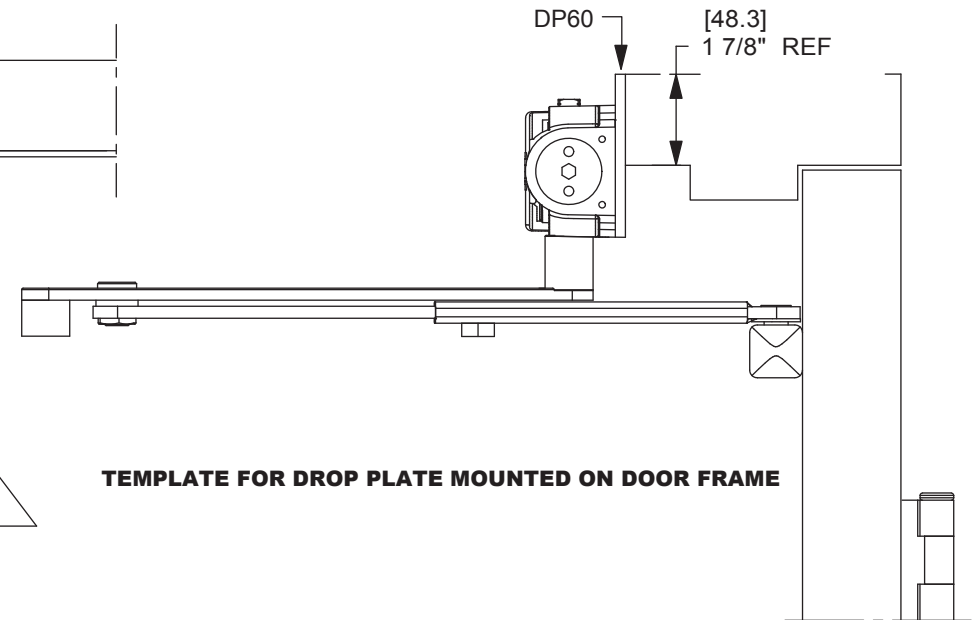
1. DO NOT SCALE DRAWING.
2. LEFT HAND DOOR SHOWN.
3. DIMENSIONS ARE IN INCHES/[MM].
4. CAUTION: SEX NUTS ARE REQUIRED FOR ATTACHMENT OF COMPONENTS TO UNREINFORCED DOORS AND TO WOOD OR PLASTIC FACED COMPOSITE TYPE FIRE DOORS, UNLESS AN ALTERNATIVE METHOD IS IDENTIFIED IN THE INDIVIDUAL DOOR MANUFACTURER'S LISTINGS.
5. DPK FASTENERS FOR STEEL DOOR & FRAME ONLY.

FOR 1/4-20 COMBO SCREWS USE #7 (0.201") DRILL & TAP
FOR 1/4-20 COMBO SCREWS IN WOOD USE 5/32" DRILL
DPK FASTENERS DRILL 1/8" PILOT HOLE
FOUR (4) HOLES IN FRAME FOR PLATE



FOR 5/16-18 MACHINE SCREWS USE #F (0.257") DRILL & TAP
FOR No. 20 WOOD SCREWS USE 7/32" DRILL
FOR SEX NUTS USE 31/64 (0.484") DRILL
TWO (2) HOLES IN DOOR FOR ARM SHOE

DEGREE OF DEAD STOP	DIM. "B"	DIM. "C"
85°	11-3/4" (298)	9-3/8" (238)
90°	11-1/8" (283)	8-3/4" (222)
100°	10-1/4" (260)	7-7/8" (200)
110°	9-5/8" (244)	7-1/4" (184)



TEMPLATE FOR DROP PLATE MOUNTED ON DOOR FRAME