

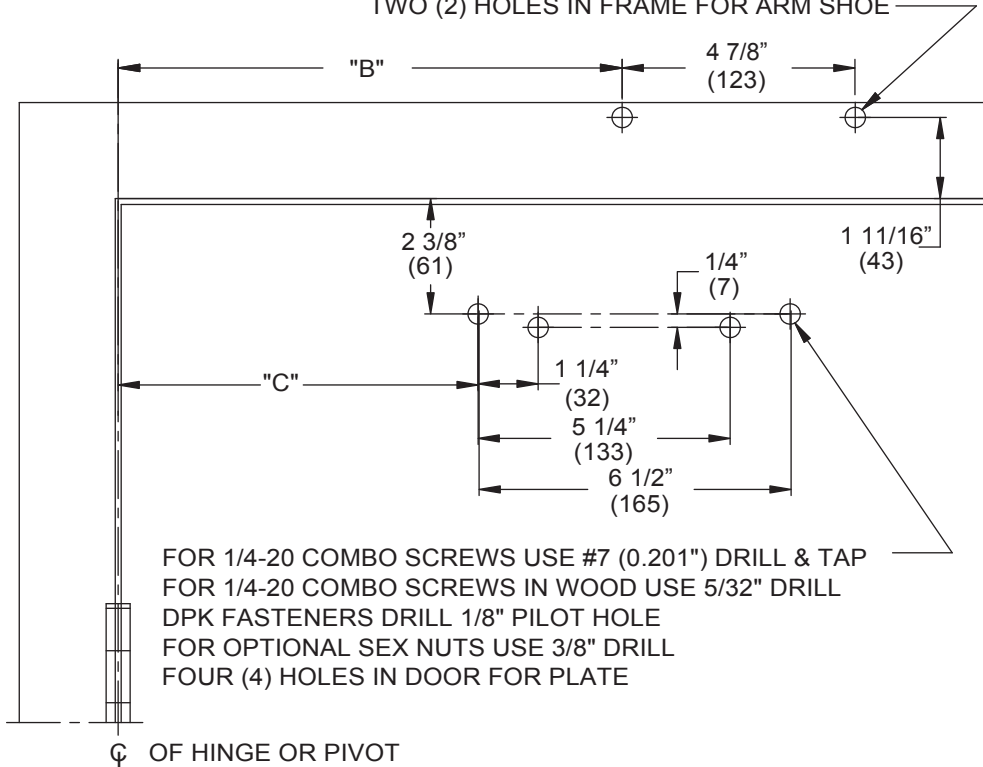
**Door Closer Models: SL6014, SL6036 S-IS & S-ISH (Dead Stop Arm)
Regular Installation (Pull Side Mount) with Backplate BP60
Drilling Instructions**

For online instructions, assistance or warranty information:
Call 1-800-392-5209 or visit <https://dhwsupport.dormakaba.com/hc/en-us>

NOTES:

1. DO NOT SCALE DRAWING.
2. RIGHT HAND DOOR SHOWN.
3. DIMENSIONS ARE IN INCHES/(MM).
4. CAUTION: SEX NUTS ARE REQUIRED FOR ATTACHMENT OF COMPONENTS TO UNREINFORCED DOORS AND TO WOOD OR PLASTIC FACED COMPOSITE TYPE FIRE DOORS, UNLESS AN ALTERNATIVE METHOD IS IDENTIFIED IN THE INDIVIDUAL DOOR MANUFACTURER'S LISTINGS.
5. DPK FASTENERS FOR STEEL DOOR & FRAME ONLY.

FOR 5/16-18 MACHINE SCREWS USE #F (0.257") DRILL & TAP
FOR No. 20 WOOD SCREWS USE 7/32" DRILL
DPK FASTENERS DRILL 1/8" PILOT HOLE
TWO (2) HOLES IN FRAME FOR ARM SHOE



FOR 1/4-20 COMBO SCREWS USE #7 (0.201") DRILL & TAP
FOR 1/4-20 COMBO SCREWS IN WOOD USE 5/32" DRILL
DPK FASTENERS DRILL 1/8" PILOT HOLE
FOR OPTIONAL SEX NUTS USE 3/8" DRILL
FOUR (4) HOLES IN DOOR FOR PLATE

DEGREE OF DEAD STOP	DIM. "B"	DIM. "C"
85°	12-1/4" (311)	9-3/4" (248)
90°	11-3/4" (298)	9-1/4" (235)
100°	10-3/4" (273)	8-1/4" (210)
110°	10" (254)	7-1/2" (190)

