

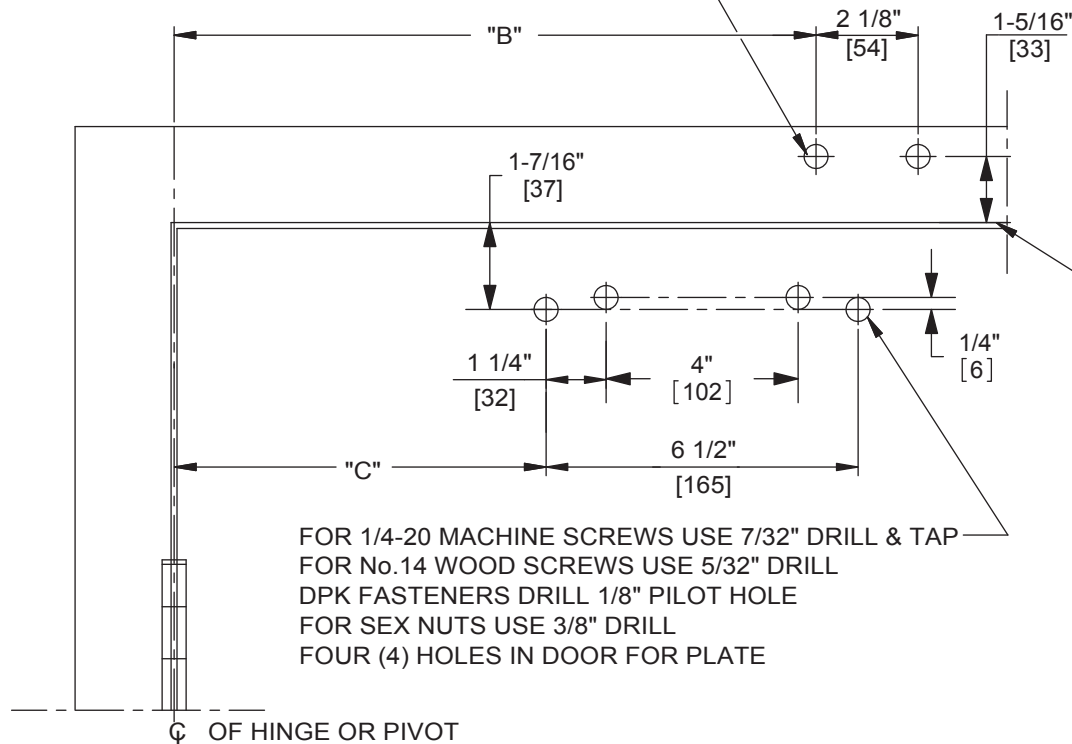
**Door Closer Models: SL6014, SL6036 IS, ISH (Integra Stop Arm)  
Regular Installation (Pull Side Mount) with Plates BP60, BP70, BP70FC  
Drilling Instructions**

For online instructions, assistance or warranty information:  
Call 1-800-392-5209 or visit <https://dhwsupport.dormakaba.com/hc/en-us>

**NOTES:**

1. DO NOT SCALE DRAWING.
2. DIMENSIONS ARE IN INCHES/(MM).
3. RIGHT HAND DOOR SHOWN.
4. CAUTION: SEX NUTS ARE REQUIRED FOR ATTACHMENT OF COMPONENTS TO UNREINFORCED DOORS AND TO WOOD OR PLASTIC FACED COMPOSITE TYPE FIRE DOORS, UNLESS AN ALTERNATIVE METHOD IS IDENTIFIED IN THE INDIVIDUAL DOOR MANUFACTURER'S LISTINGS.
5. DPK FASTENERS FOR STEEL DOOR & FRAME ONLY.

FOR 1/4-20 MACHINE SCREWS USE 7/32" DRILL & TAP  
FOR No.14 WOOD SCREWS USE 5/32" DRILL  
DPK FASTENERS DRILL 1/8" PILOT HOLE  
TWO (2) HOLES IN FRAME FOR ARM SHOE



FOR 1/4-20 MACHINE SCREWS USE 7/32" DRILL & TAP  
FOR No.14 WOOD SCREWS USE 5/32" DRILL  
DPK FASTENERS DRILL 1/8" PILOT HOLE  
FOR SEX NUTS USE 3/8" DRILL  
FOUR (4) HOLES IN DOOR FOR PLATE

DEGREE OF DEAD STOP	DIM. "B" ARM SHOE	DIM. "C" PLATE
85°	13-7/8" (352)	8-1/2" (216)
90°	13-1/2" (343)	7-13/16" (198)
95°	13-1/4" (337)	7" (178)
100°	12-5/8" (321)	6-15/16" (176)
105°	12-1/4" (311)	6-1/2" (165)
110°	11-7/8" (302)	6-1/16" (154)

