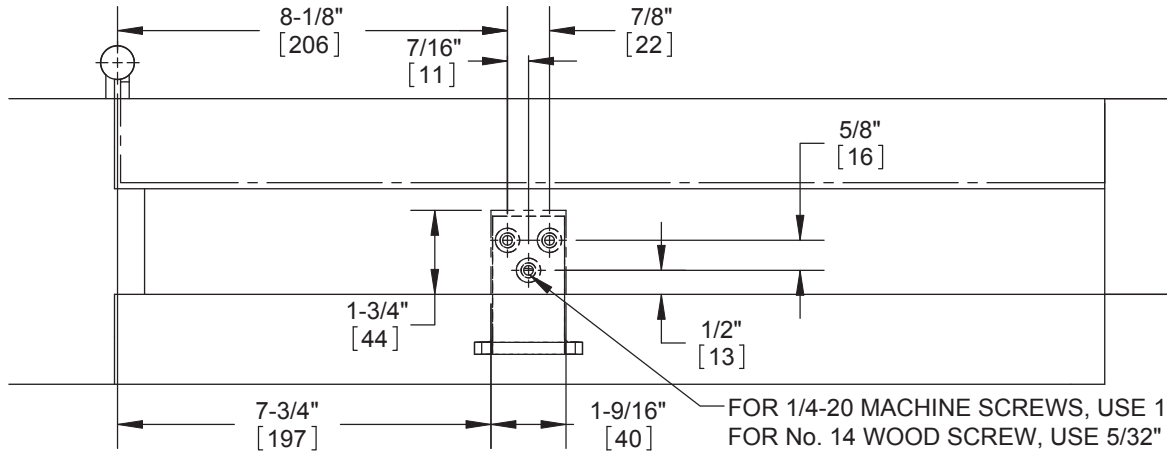


Door Closer Models: SL6014, SL6036 ARP x MJ
Parallel Arm Installation (Push Side Mount)
Drilling Instructions

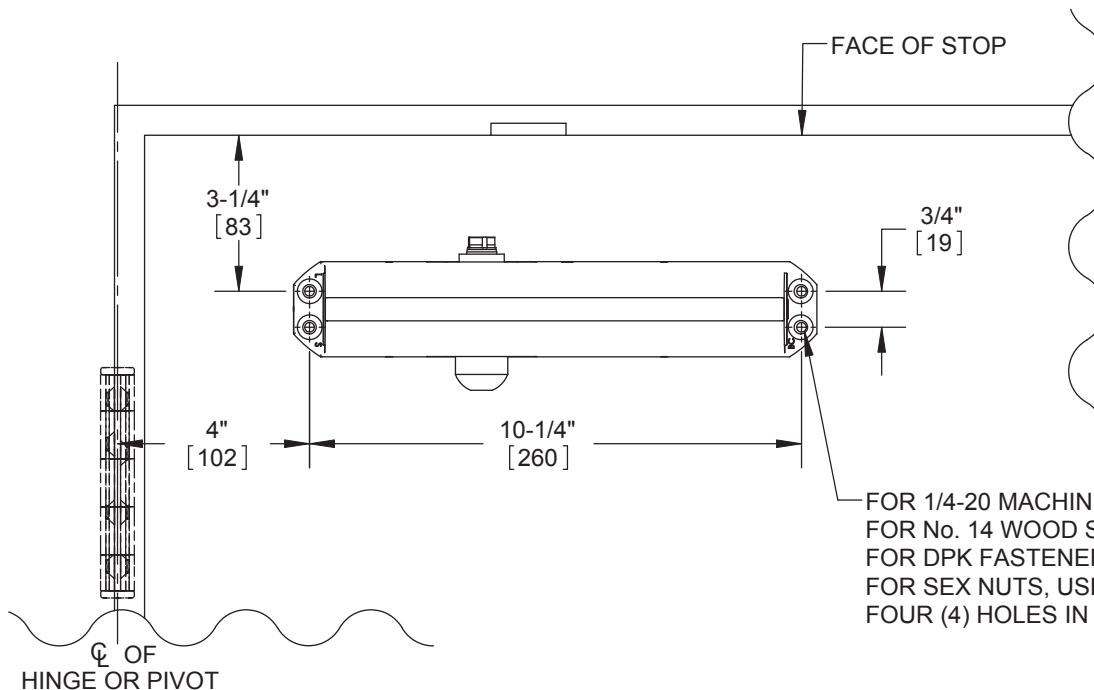
For online instructions, assistance or warranty information:
Call 1-800-392-5209 or visit <https://dhwsupport.dormakaba.com/hc/en-us>



FOR 1/4-20 MACHINE SCREWS, USE 13/64" OR #7 DRILL & TAP
FOR No. 14 WOOD SCREW, USE 5/32" DRILL
FOR DPK FASTENERS, USE 1/8" DRILL
THREE (3) HOLES IN SOFFIT FOR BRACKET (SHOWN)

NOTES:

- 1) DO NOT SCALE DRAWING
- 2) DIMENSIONS ARE IN INCHES/[MM]
- 3) LEFT HAND DOOR SHOWN
- 4) CAUTION: SEX NUTS ARE REQUIRED FOR ATTACHMENT OF COMPONENTS TO UNREINFORCED DOORS AND TO WOOD OR PLASTIC FACED COMPOSITE TYPE FIRE DOORS, UNLESS AN ALTERNATIVE METHOD IS IDENTIFIED IN THE INDIVIDUAL DOOR MANUFACTURER'S LISTINGS.
- 5) MAXIMUM OPENING IS 180°
- 6) DPK FASTENERS FOR STEEL DOOR & FRAME ONLY



FOR 1/4-20 MACHINE SCREWS, USE 7/32" DRILL & TAP
FOR No. 14 WOOD SCREWS, USE 5/32" DRILL
FOR DPK FASTENERS, USE 1/8" DRILL
FOR SEX NUTS, USE 3/8" DRILL
FOUR (4) HOLES IN DOOR FOR CLOSER (SHOWN)

