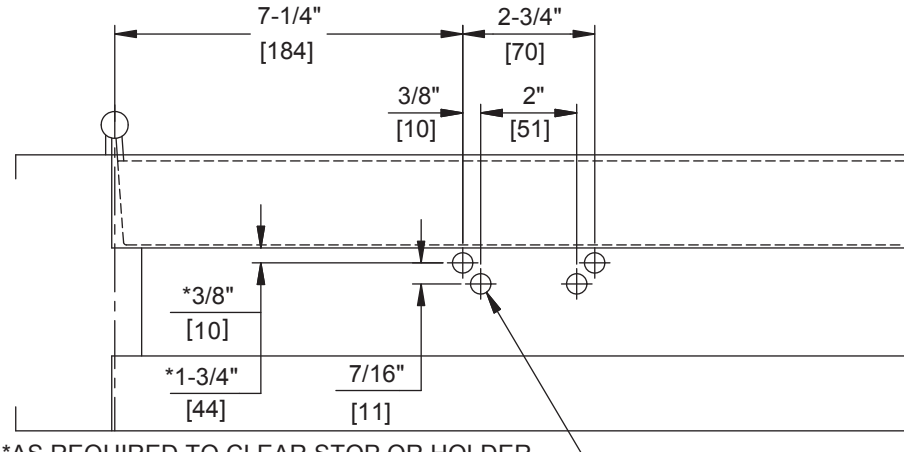


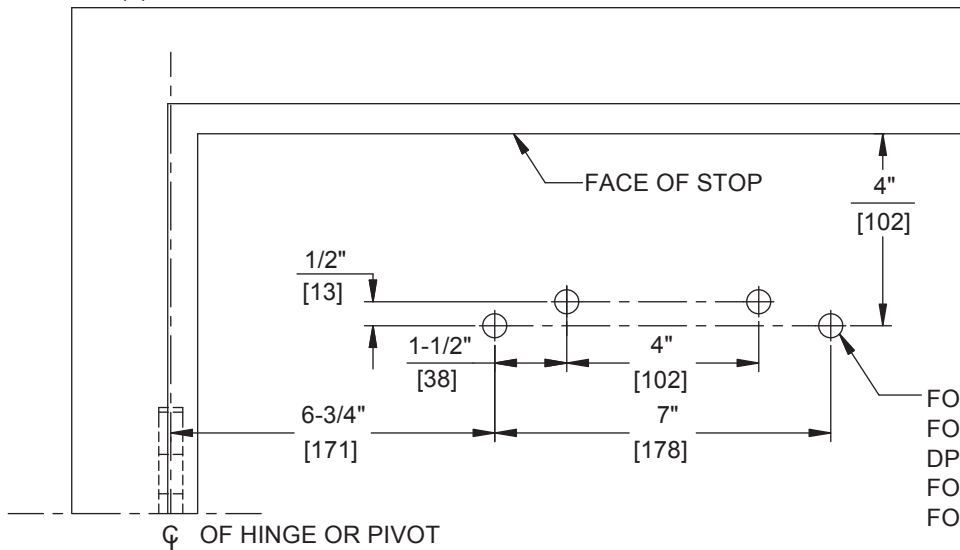
**Door Closer Models: SL6014, SL6036 ARPD Parallel Arm Installation  
(Push Side Mount) with Plates DP60, DP70, DP70FC  
Drilling Instructions**

For online instructions, assistance or warranty information:  
Call 1-800-392-5209 or visit <https://dhwsupport.dormakaba.com/hc/en-us>



\*AS REQUIRED TO CLEAR STOP OR HOLDER

FOR 1/4-20 MACHINE SCREWS USE 7/32\" DRILL  
FOR No.14 WOOD SCREWS USE 5/32\" DRILL  
DPK FASTENERS DRILL 1/8\" PILOT HOLE  
FOUR (4) HOLES IN FRAME FOR PA BRACKET



FOR 1/4-20 MACHINE SCREWS USE 7/32\" DRILL & TAP  
FOR No.14 WOOD SCREWS USE 5/32\" DRILL  
DPK FASTENERS DRILL 1/8\" PILOT HOLE  
FOR SEX NUTS USE 3/8\" DRILL  
FOUR (4) HOLES IN DOOR FOR PLATE

**NOTES:**

1. DO NOT SCALE DRAWING.
2. DIMENSIONS ARE IN INCHES/(MM).
3. LEFT HAND DOOR SHOWN.
4. CAUTION: SEX NUTS ARE REQUIRED FOR ATTACHMENT OF COMPONENTS TO UNREINFORCED DOORS AND TO WOOD OR PLASTIC FACED COMPOSITE TYPE FIRE DOORS, UNLESS AN ALTERNATIVE METHOD IS IDENTIFIED IN THE INDIVIDUAL DOOR MANUFACTURER'S LISTINGS.
5. MAX. OPENING IS 180°.
6. DPK FASTENERS FOR STEEL DOOR & FRAME ONLY.

PD SOFFIT BRACKET SHOWN ON SOFFIT  
CAN ALSO MOUNT ON FRAME RABBET

CAUTION: ALWAYS LOCATE CLOSER  
FROM SOFFIT BRACKET  
MOUNTING SURFACE

